

FIREPLACE INSERTS FROM BRUNNER



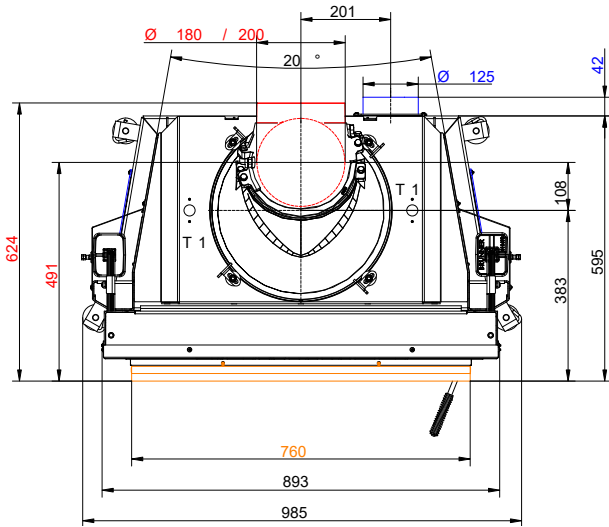
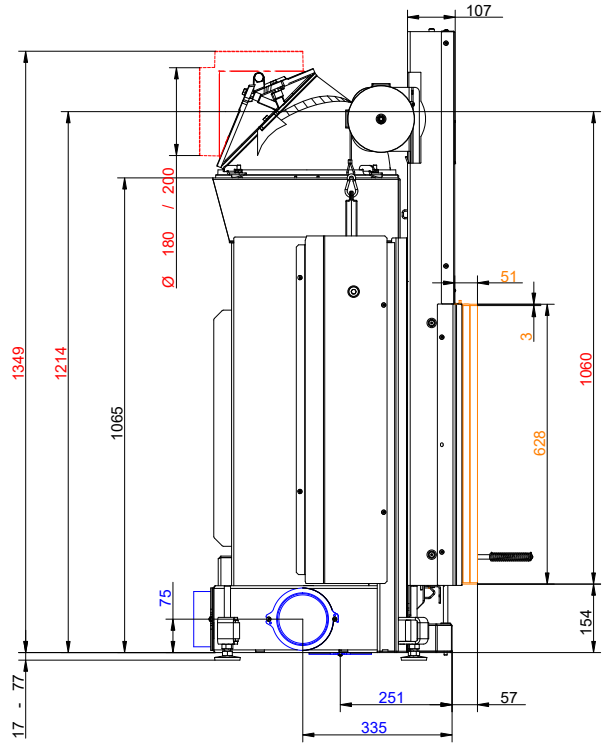
Stil-Kamin 62-76 +

State: 2024-10-31



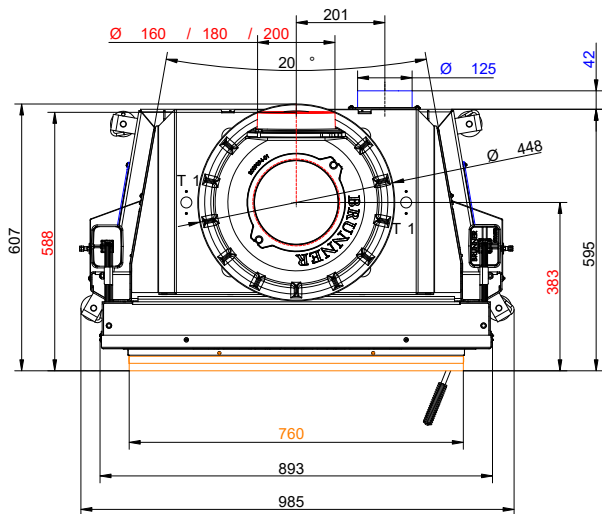
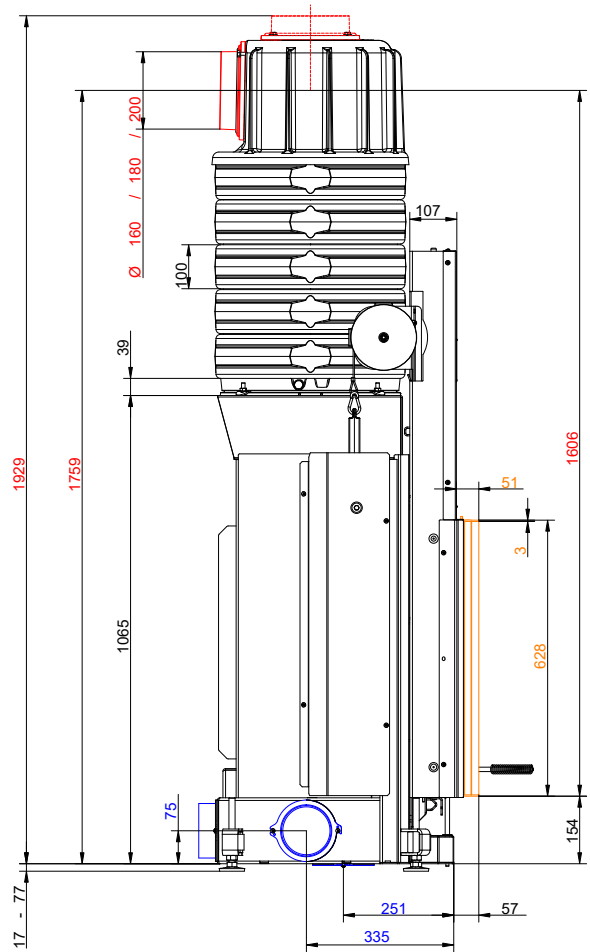
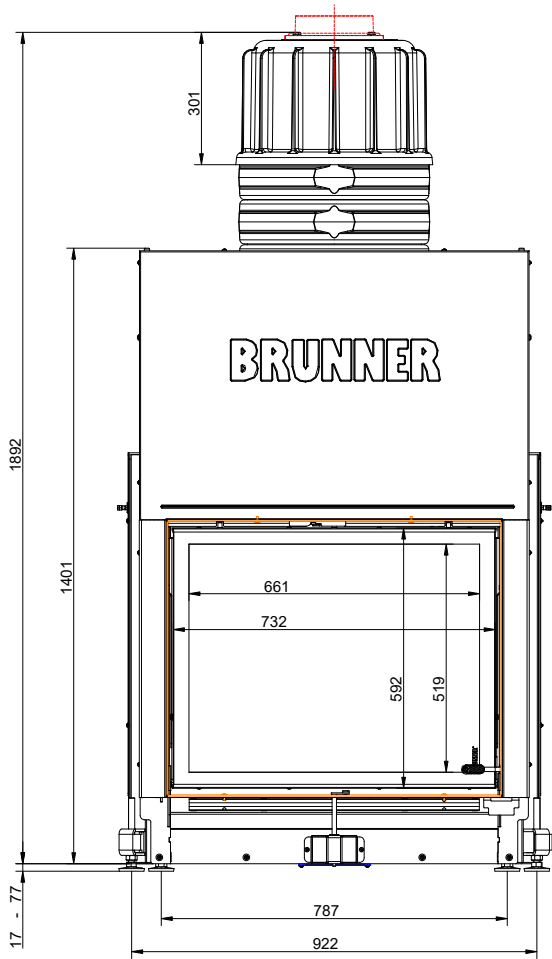
BRUNNER®

Dimension sheets - Stil-Kamin 62-76 +



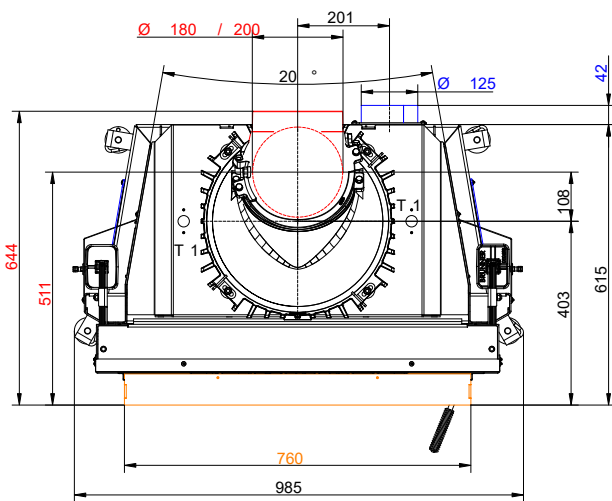
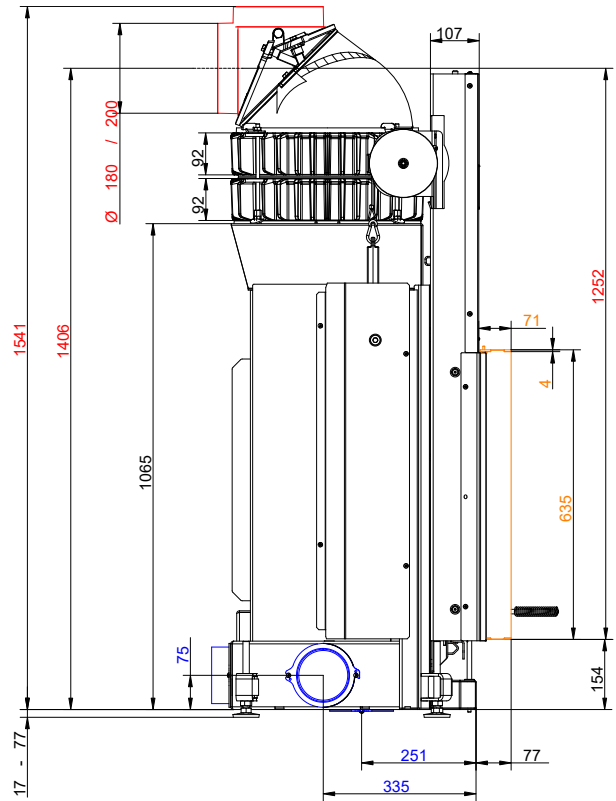
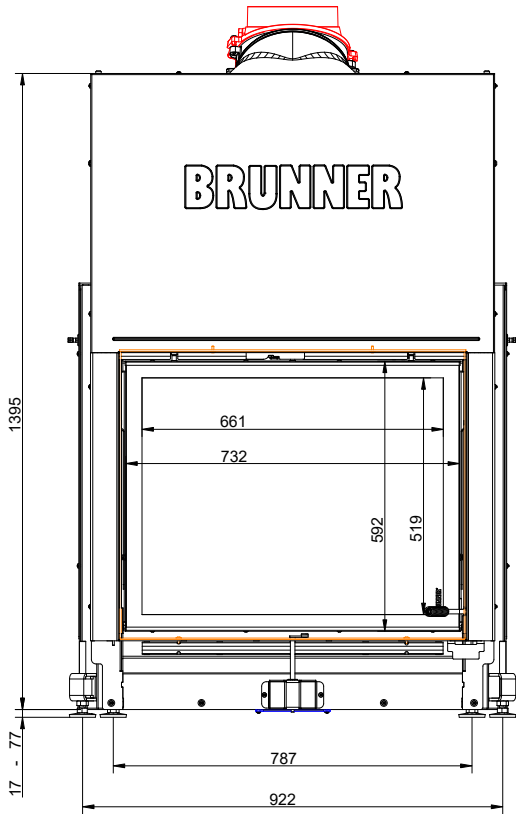
... with mounting frame 50 mm and Cast iron dome

Dimension sheets - Stil-Kamin 62-76 +



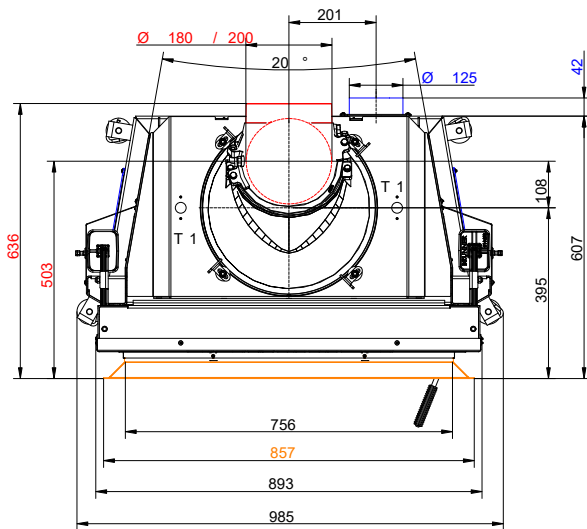
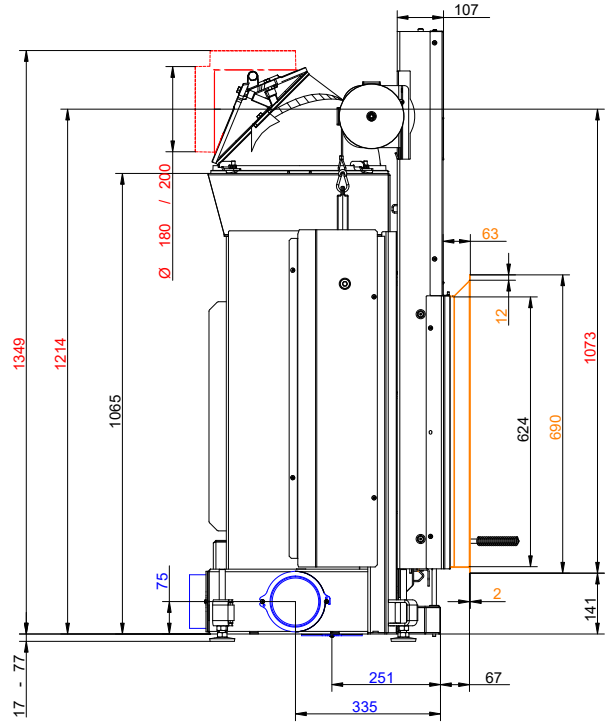
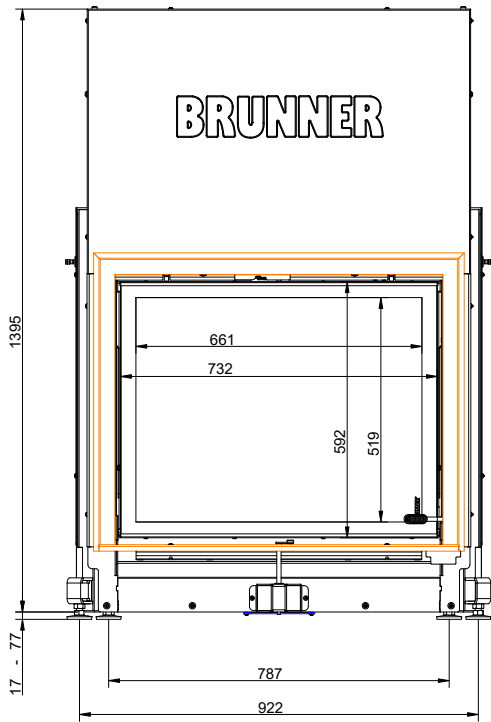
... with mounting frame 50 mm and MAS

Dimension sheets - Stil-Kamin 62-76 +



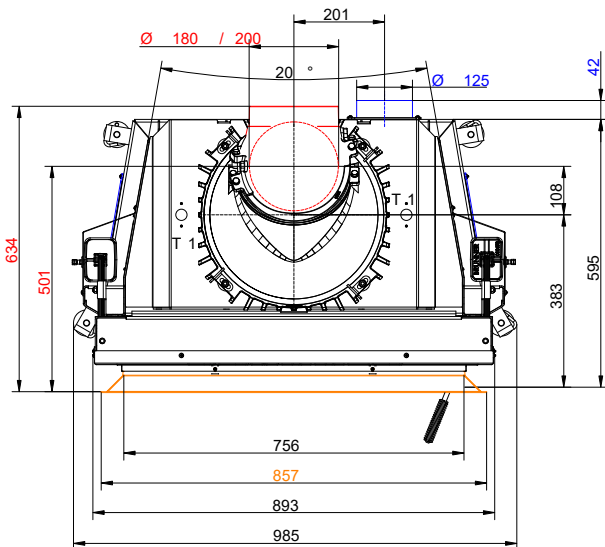
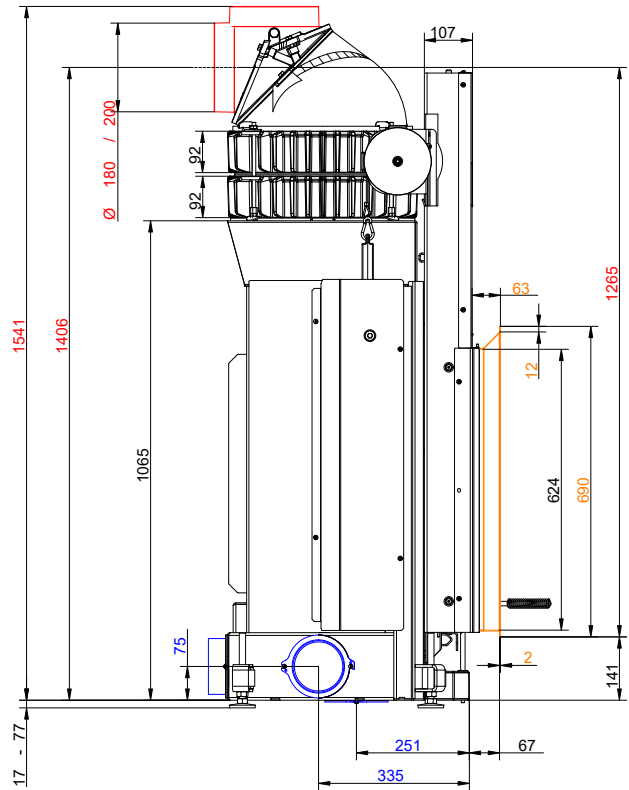
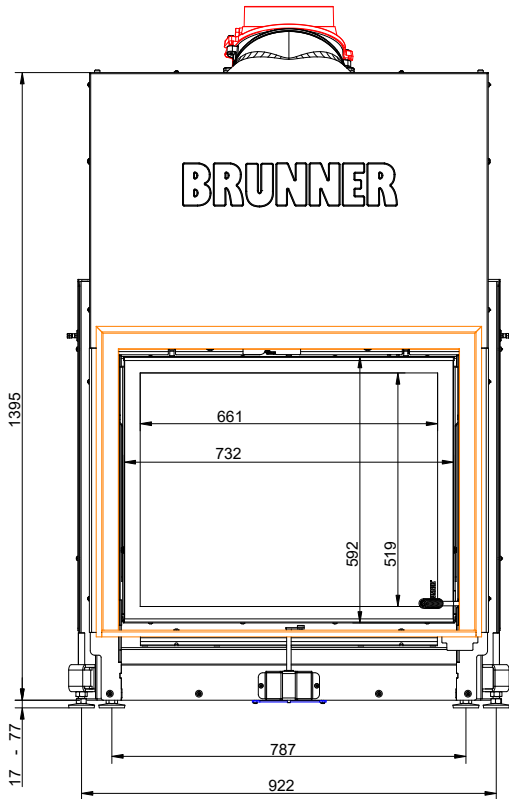
... with mounting frame 70 mm and cast iron heat exchanger rings + dome

Dimension sheets - Stil-Kamin 62-76 +



... with cast iron dome and mounting frame

Dimension sheets - Stil-Kamin 62-76 +



with door frame and cast iron heat exchanger rings + dome

We suggest for CAD planning Palette CAD. Permanent updated drawings: www.brunner.de

Frames/ flue gas outlet connection/ combustion air supply connection/ front variants/ support bearing are marked in color.

Planning and installation - Stil-Kamin 62-76 +

Series status		04.2
Tested according to		EN 13229 W
Values measured at		Rated power ¹⁾
Suitable for all construction types according to rules		OK
Data for functional demonstration		
Rated heat power	kW	10.5
Fire wood volume	kg/h	3.2
Combustion performance	kW	13
Flue gas mass flow	g/s	10
Flue gas temperature after:		
Cast iron dome	°C	325
2 x cast iron heat exchanger rings + dome	°C	200
5 x accumulation rings incl. MAS casted cover ²⁾	°C	205
Boiler module	°C	208
Necessary supply pressure	Pa	12
Combustion air consumption	m ³ /h	35
Combustion air connection Ø	mm	125
Heating gas temperature (before the hood/dome variant)		
cast iron dome	°C	325
Heat distribution		
Insert / reheating surface	%	60 / -
Cross-section of gratings ³⁾		
exhaust warm air	cm ²	900 / 100 / -
Recirculation air	cm ²	900 / 100 / -
Minimal oven surface for closed construction type		
Heat dissipating surface	m ²	4.5
Minimal distances of the fireplace		
to cladding, insulation layer	cm	6
to mounting floor	cm	2
Thermal insulation without / with air gratings ⁴⁾		
Mounting wall	cm	18 / 14
Floor	cm	4 / 2
Ceiling	cm	22 / 16
Brick lining for combustible wall	cm	10
Weight		
Fireplace / combustion chamber	kg	205 / 97
Meets requirement/limit values for:		
Germany/ Austria / Switzerland / Norway		1.BImSchV (Stufe 2) / 15a BVG (2015) / LRV / NS 3059

- 1) Indications to "Rated power" determined with metallic reheating surface
- 2) Damper flap recommended
- 3) for fireplace inserts / flue gas pipe / metallic reheating surface
- 4) Values determined with upper air cross-sections; stove cladding is heat emitting.