

# FIREPLACE INSERTS FROM BRUNNER



## Stil-Kamin 53-88 +

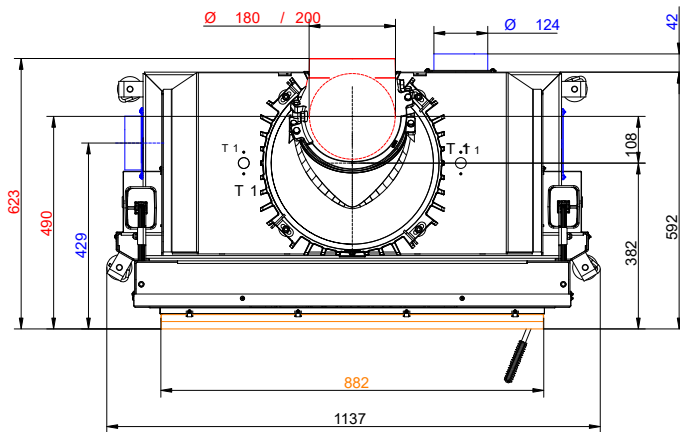
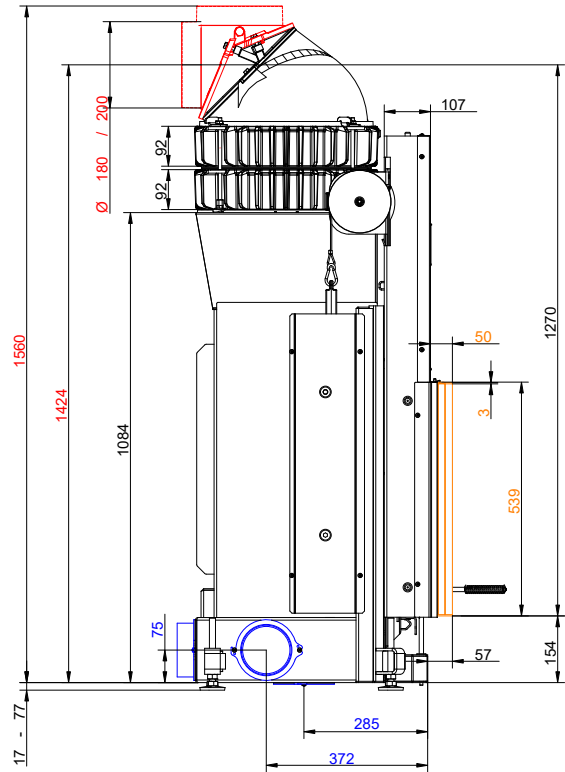
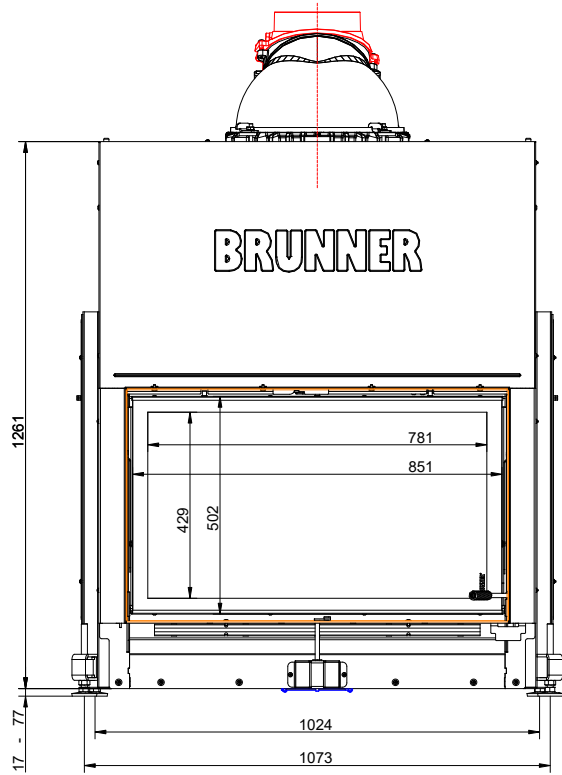
State: 2024-10-31



# BRUNNER®

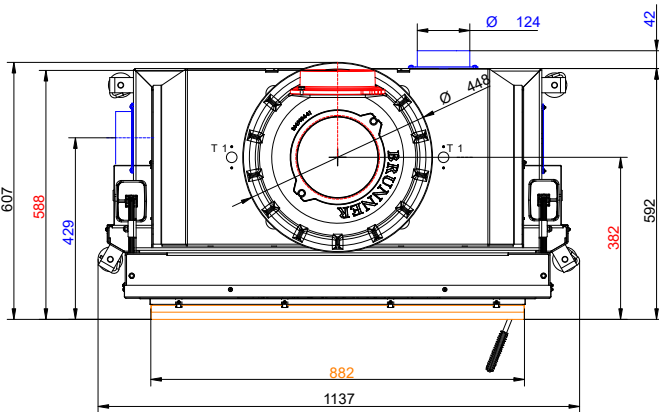
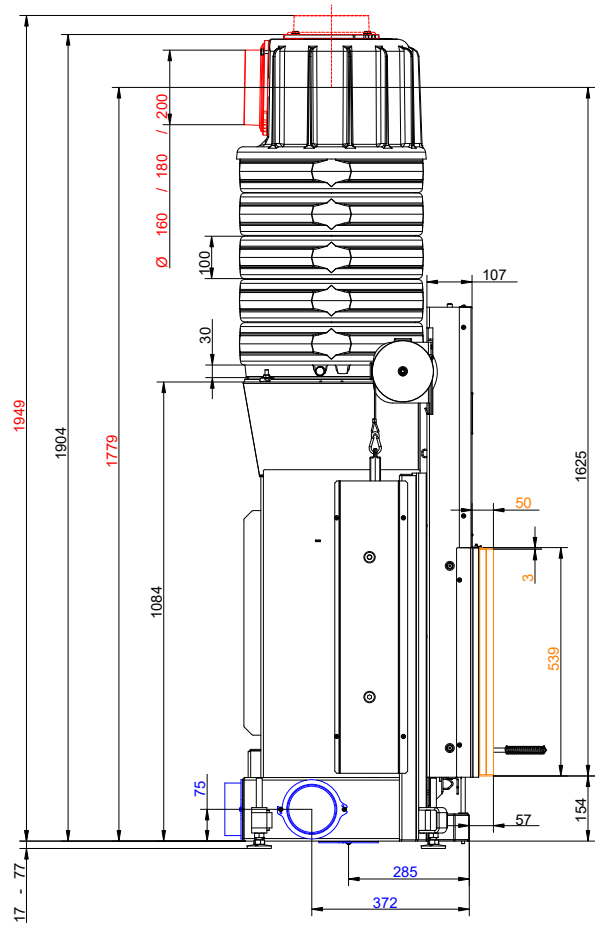
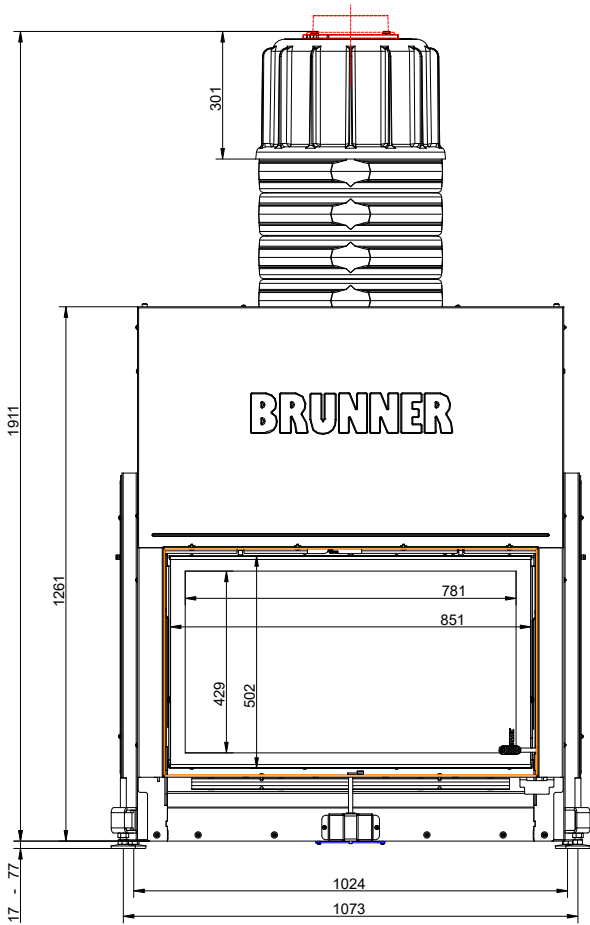


# Dimension sheets - Stil-Kamin 53-88 +



... with mounting frame 50 mm and cast iron heat exchanger rings + dome

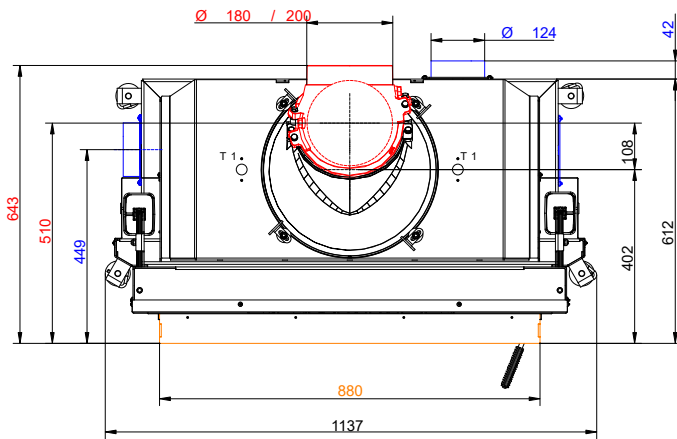
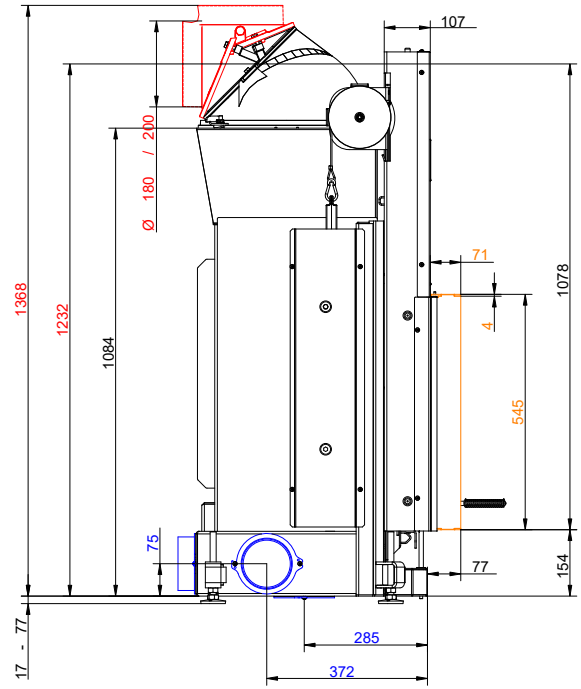
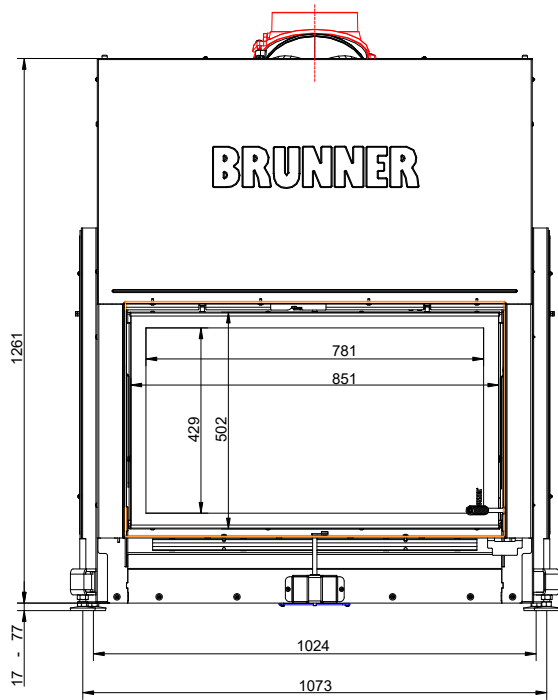
# Dimension sheets - Stil-Kamin 53-88 +



... with mounting frame 50 mm and MAS



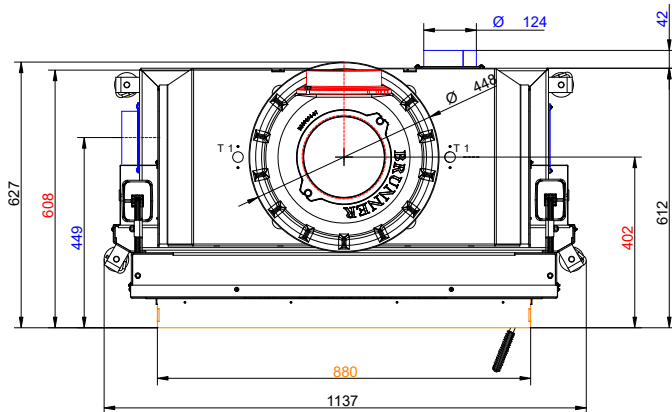
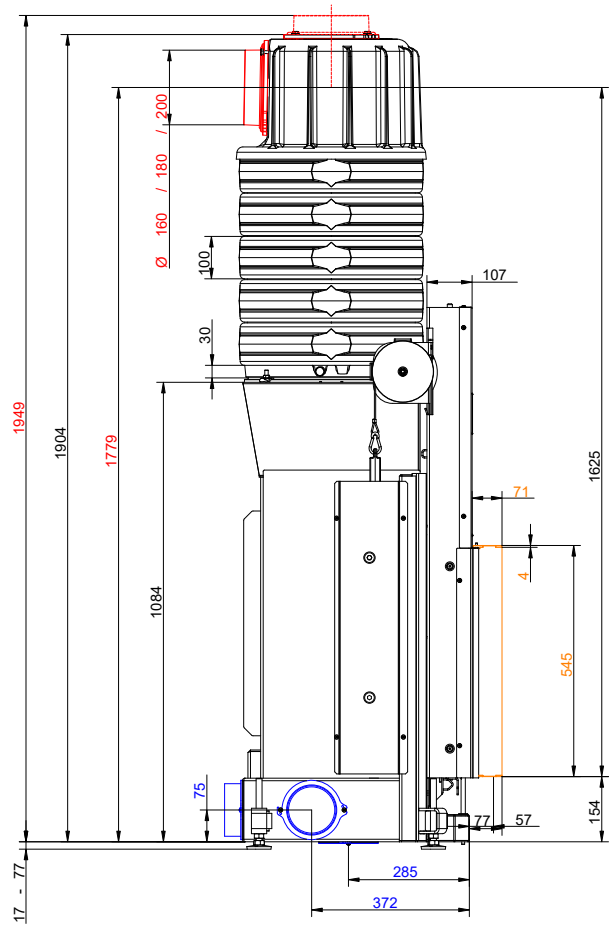
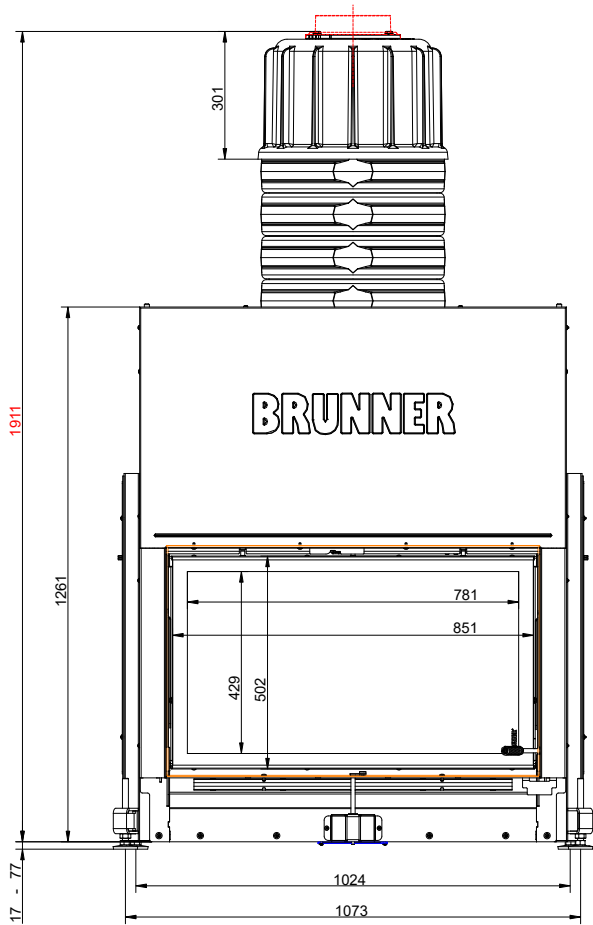
# Dimension sheets - Stil-Kamin 53-88 +



... with mounting frame 70 mm and Cast iron dome



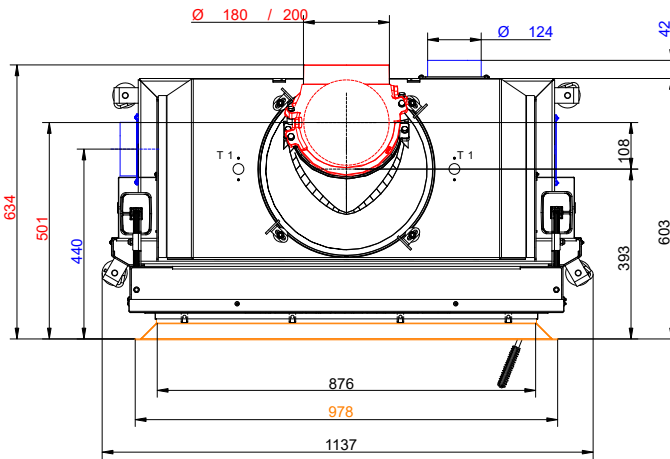
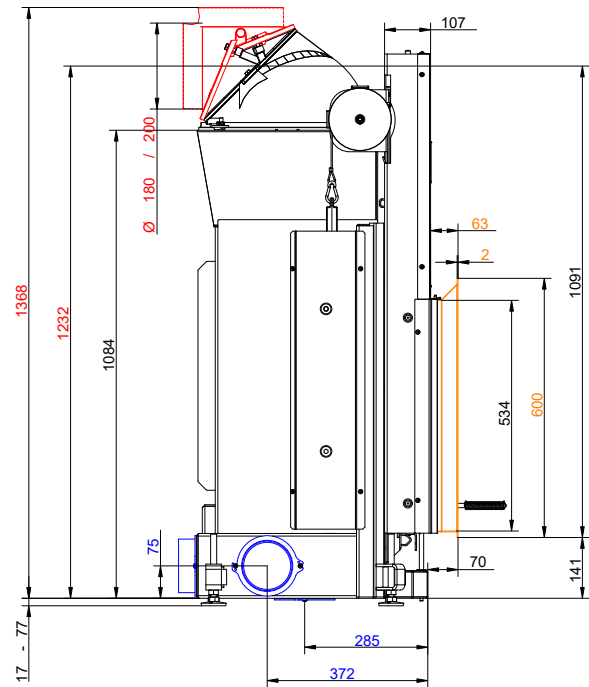
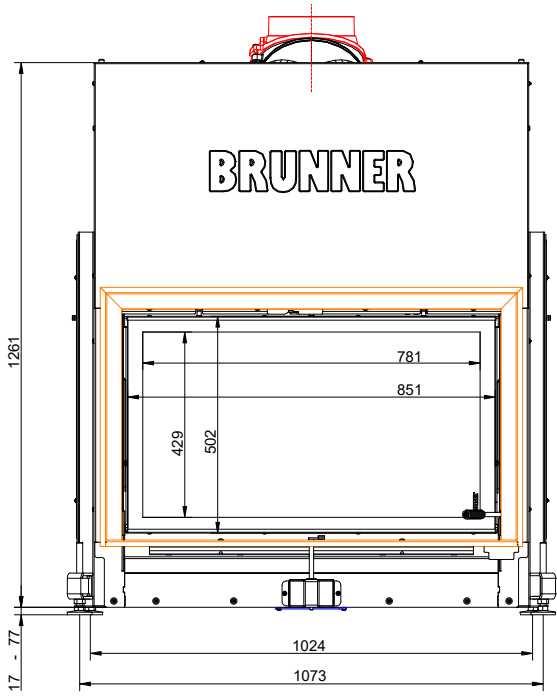
# Dimension sheets - Stil-Kamin 53-88 +



... mit Anbaurahmen 70 mm und MAS

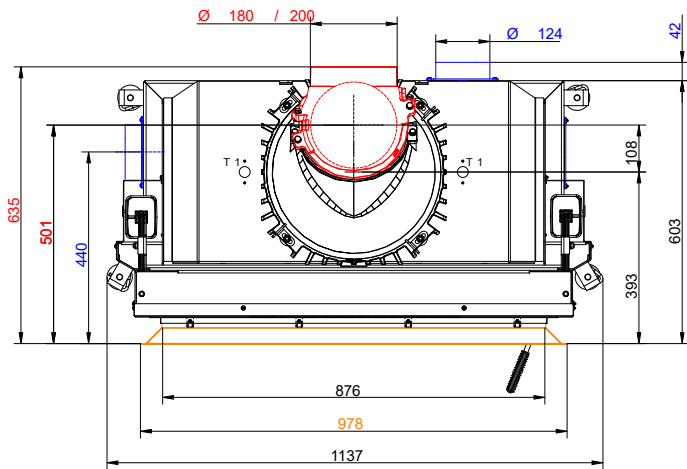
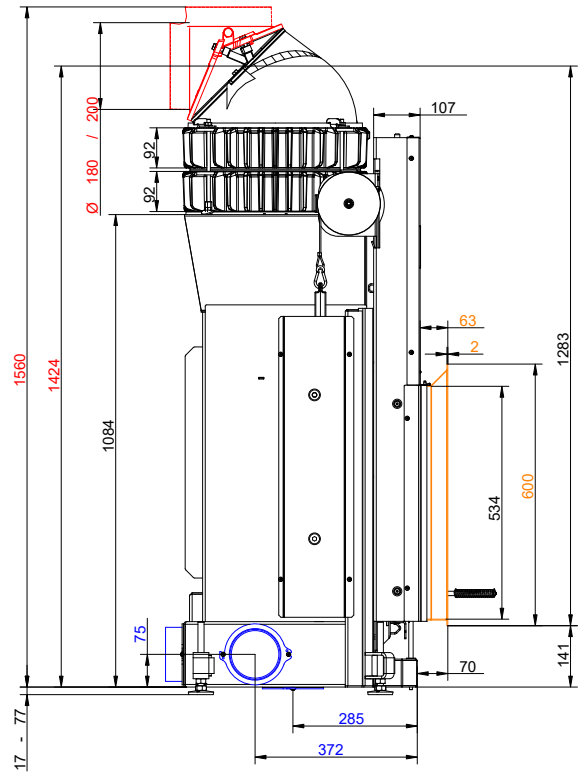
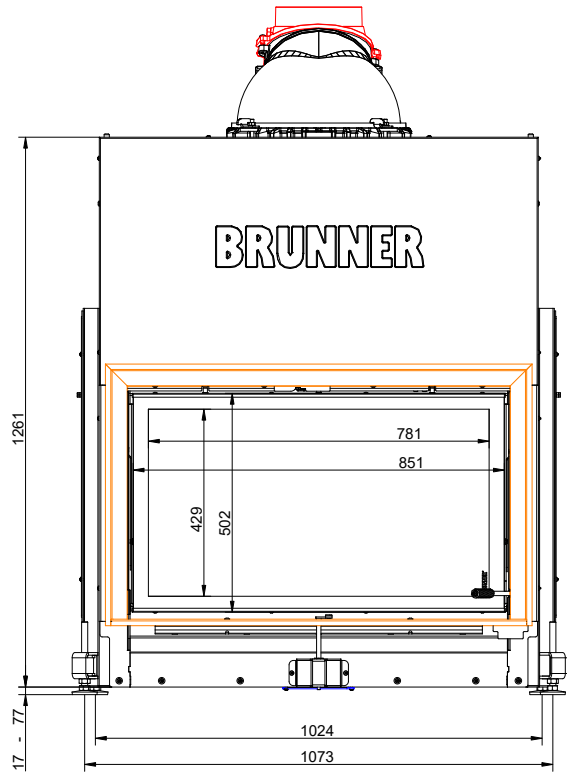


# Dimension sheets - Stil-Kamin 53-88 +



... with cast iron dome and mounting frame

# Dimension sheets - Stil-Kamin 53-88 +



with door frame and cast iron heat exchanger rings + dome



## Planning and installation - Stil-Kamin 53-88 +

Series status		04.2
Tested according to		EN 13229 W
Values measured at		Rated power <sup>1)</sup>
Suitable for all construction types according to rules		OK
<b>Data for functional demonstration</b>		
Rated heat power	kW	11
Fire wood volume	kg/h	3.5
Combustion performance	kW	13
Flue gas mass flow	g/s	13
Flue gas temperature after:		
Cast iron dome	°C	325
2 x cast iron heat exchanger rings + dome	°C	190
5 x accumulation rings incl. MAS casted cover <sup>2)</sup>	°C	205
Boiler module	°C	208
Necessary supply pressure	Pa	13
Combustion air consumption	m <sup>3</sup> /h	38
Combustion air connection Ø	mm	125
<b>Heat distribution</b>		
Insert / reheating surface	%	60 / -
<b>Cross-section of gratings <sup>3)</sup></b>		
exhaust warm air	cm <sup>2</sup>	700 / 100 / -
Recirculation air	cm <sup>2</sup>	700 / 100 / -
<b>Minimal oven surface for closed construction type</b>		
Heat dissipating surface	m <sup>2</sup>	4.5
<b>Minimal distances of the fireplace</b>		
to cladding, insulation layer	cm	6
to mounting floor	cm	2
<b>Thermal insulation without / with air gratings <sup>4)</sup></b>		
Mounting wall	cm	18 / 14
Floor	cm	0
Ceiling	cm	22 / 16
Brick lining for combustible wall	cm	10
<b>Weight</b>		
Fireplace / combustion chamber	kg	258 / 96
<b>Meets requirement/limit values for:</b>		
Germany/ Austria / Switzerland / Norway		1.BImSchV (Stufe 2) / 15a BVG (2015) / LRV / NS 3059

- 1) Indications to "Rated power" determined with metallic reheating surface
- 2) Damper flap recommended
- 3) for fireplace inserts / flue gas pipe / metallic reheating surface
- 4) Values determined with upper air cross-sections; stove cladding is heat emitting.