

User Manual

Urfeuer Panorama
50/44/88/44

©2024

BRUNNER[®]
made in germany.

CONTENTS

1	Basics.....	3
2	Precautionary statements.....	4
3	Firewood and heating power.....	7
4	Instructions for use.....	9
	4.1 Ember protection strip.....	11
	4.2 Operating of the shut-off flap.....	12
	4.3 Close the spark protection mesh.....	13
5	Note.....	15
6	Disposal.....	16

Please read the entire User Manual before lighting the fire for the first time. In particular, please note the safety precautions in this manual.

The intended use presumes that the operation presented in this manual is followed.

Installation must be carried out by an authorized stove-fitter, because safety and efficiency of the system depend mostly on proper installation of the product. All valid stove fitting rules and regulations of building law must be observed and followed.

Please observe the necessary national and European standards and local regulations.

Please observe the fire regulations of your country. In case of doubt, check the valid conditions for the operation of fireplaces in your local area.

Subject to technical changes!

Please keep the User Guide for future reference!

Waste on fire = Toxins in your garden

We suggest to perform registration of your product. (www.produktregistrierung.brunner.de).

1 BASICS

Proper function of a fireplace depends on the volume of combustion air streaming into the room. Sufficient air supply must be ensured before fire is lit. If an external air supply flap is installed, it has to be opened and must be left open as long the fire is burning.

In the smoke collector of the fireplace there is a shut-off flap installed. The flap can be used to close the smoke outlet when the fireplace is not in use. Open the flap before starting fire!

Open fireplaces are not classified by law as heating devices, because they are in use not on a regular basis and they are not used exclusively for heating in living spaces. Therefore, they are not subject to emission standards set forth by the 1.BImSchV.

Urfeuer fireplaces are industrially prefabricated components for open fireplaces. Installation and planning are carried out in accordance with the manufacturer's instructions and TROL. The responsible district chimney sweep must be informed before installing an open fireplace.



Open fireplaces should be used only on occasion! As guideline applies here that the fireplace is used not more than eight days per month for five hours (OVG Rheinland-Pfalz from 12.04.1991, 7 B 10342/91, OVG Rheinland-Pfalz from 30.11.1993, 7 A 12014/92). Depending on location, its use can be allowed with further limitations or more often.



When wood with closed cell structure (spruce, fir, pine) is burned in an open fireplace, then it is necessary to close the spark mesh for protection.

2 PRECAUTIONARY STATEMENTS



Initial operation

The paint coat of the stove is not completely hardened before reaching normal operating temperature for the first time. Smoke emissions and unpleasant odours cannot be excluded. Therefore, provide sufficient ventilation of the room when lighting the fire. Open doors and windows, use an electric fan if necessary, to ensure faster air exchange within the room. During first operation try to avoid staying in this room for too long, if possible.



Combustion air supply

Structural means for combustion air supply cannot be modified. Functionality must be ensured by regular checks.



Allowable fuels

Please use only fuels of quality and quantity described in this manual. Other fuels are not allowed.



Risk of burns

The external surfaces are getting hot. Do not touch - risk of burns! Remember to warn your children about this. Basically, children should stay away from a burning stove.

For operation use always the attached operating tool!

Fire hazard



Distance to furnishings

Objects made of flammable materials may not be placed on external casing surfaces of the fireplace.

Between the surfaces of the stove casings from ceramic tiles or plaster and flammable materials, a minimal distance of **5 cm** must be kept. This distance must allow for air circulation. A much greater distance must be kept from fireplace surfaces made of metal.



Prohibited fuels

Never use petrol or alcohol as aids for lighting fire!

Not suitable fuel types, qualities or amounts can lead to damages.

**Removing ashes**

Only cold ashes should be removed from the fireplace; store the ashes in a fire-resistant container for at least 24 hours before disposal. Glowing embers can be found in ashes for a very long time.

**Chimney fire**

In case of fire call the fire brigade immediately!

In the case of chimney fire move all flammable parts and elements away from the chimney. Watch out for flying sparks.

**Cleaning and maintenance**

The functionality and the safe operation of the fireplace depend on regular cleaning and proper maintenance.

**Spilling out embers**

To prevent spilling out of embers, use the provided protection strip when the Urfeuer fireplace is in use.

The fireplace can be used only under supervision!

3 FIREWOOD AND HEATING POWER

The combustion process in our devices has been optimized to enhance their performance and reduce emissions. You can support our efforts to protect our environment by respecting the following recommendations for low-emission heating: Use only dry, natural wood with a residual humidity factor below 20%, or wood briquettes according to DIN EN 17225-3.

Damp, freshly cut or improperly stored wood has a high water content, therefore does not want to burn, makes a lot of smoke and gives not much of heat. Use only firewood which has been stored for at least two years in a dry place with sufficient air circulation. Because dry wood is much more calorific, you can save on fuel costs.

For example: Dry wood has a calorific value of approx. 4 kWh/kg, freshly cut wood only 2 kWh/kg. You will need twice the amount of wood to achieve the same heating power.

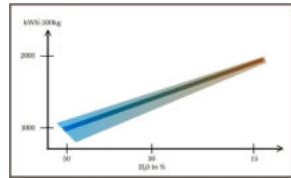
	Water content g/kg wood	Calorific value kWh/kg	Consumption raised by %
very dry	100	4,5	0
stored for 2 years	200	4	15
stored for 1 year	350	3	71
freshly cut wood	500	2,1	153



Natural firewood (left) is the best fuel for fireplaces, but you can use also wood briquettes according to DIN 17225-3, Class A1, length >14 cm (5.51 in), diameter >8 cm (3.15 in) (right).

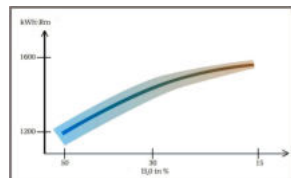


What amount of heat will I get when buying wood per weight?



1 cubic meter freshly cut wood	Water content 50%	500 kg x 2,0 kWh/kg = 1000 kWh
1 cubic meter dried wood	Water content 30%	500 kg x 3,3 kWh/kg = 1650 kWh
1 cubic meter dry wood	Water content 15%	500 kg x 4,1 kWh/kg = 2050 kWh

What amount of heat will I get when buying wood per volume (1 cubic meter = 1 m3)?



1 cubic meter freshly cut wood	Water content 50%	1286 kWh
1 cubic meter dried wood	Water content 30%	1518 kWh
1 cubic meter dry wood	Water content 15%	1550 kWh

Most suitable for use in open fireplaces are all types of hardwood, like beech or birch. Softwood species (conifers) have a closed-cell structure which is bursting during combustion, causing glowing embers to be thrown out of the fireplace. Hardwood is burning more calm and evenly.

You can control the heat radiation intensity by volume of wood and the intervals for stoking up.

Adjusting the heat by reducing the volume of combustion air is wrong! If there is not enough combustion air available, the energy contained in firewood cannot be completely released. At the same time, the emissions are rising due to unburned particles.

Too much of firewood or inappropriate fuel types can cause overheating and damage.

No kind of waste shall be burned in a fireplace!

Waste on fire = Toxins in your garden!





Never use combustible fluids, like petrol or alcohol to light a fire!

Mind the waste incineration ban!

Remember to use only the recommended fuels described in this User Guide. Unsuitable, not recommended fuels are not allowed to be burned in a fireplace.

Amount of firewood

Fireplace	Load volume	Log length	Log size
Urfeuer 50/44/88/44	2,0 kg - 5,0 kg	25 cm - 50 cm	20 cm - 30 cm
			

4 INSTRUCTIONS FOR USE

Urfeuer fireplaces should be used only under supervision and according to manufacturer's instructions.

Dry, natural firewood with a water content below 20 % or wood briquettes according to DIN EN14961-3 should be used as fuel.

The firewood should be stored for at least one year in airy and dry conditions.

Most suitable for use in open fireplaces are all types of hardwood, like oak, beech or birch.

Softwood species (conifers) have a closed-cell structure which is bursting during combustion, causing sparks and glowing embers to be thrown out of the fireplace. In these cases, the integrated spark mesh should be pulled down. Hardwood is usually burning more calm and evenly.

Firewood is placed crosswise at the rear wall in center of the Urfeuer fireplace (see picture). With a fire starter placed underneath (e.g. BRUNNER Fidibus), the fire will advance very quickly.



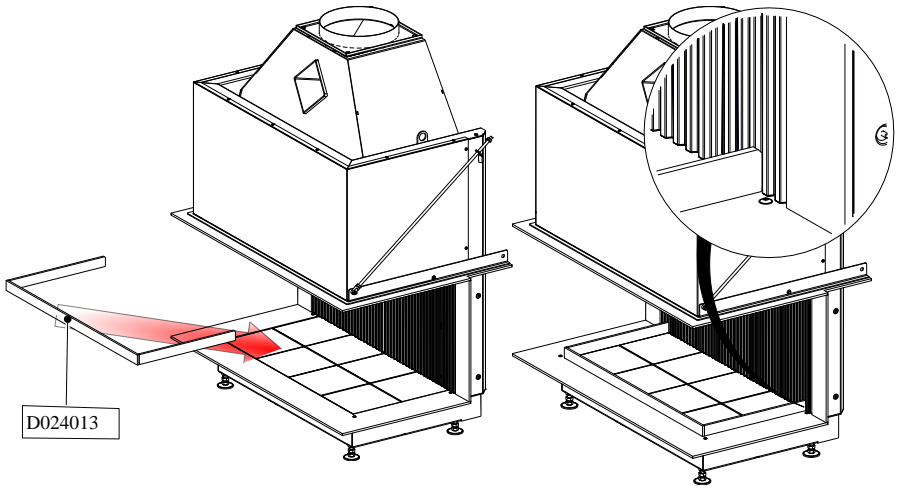
During reloading, the wood logs must not be laid very close to the edge of the combustion chamber opening, but on the existing area of glowing embers. Here a crosswise method for laying wood is recommended too.



If the smoke gases are penetrating the room due to cross-flow effects, the lowered spark mesh can help to avoid this. The structure of mesh is reducing the open cross-section area by approx. 1/3 and “breaks” the air vortices like in a wind protection net.



4.1 EMBER PROTECTION STRIP



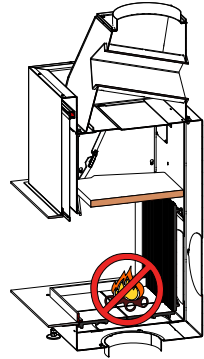
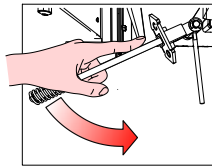
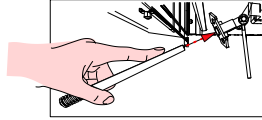
4.2 OPERATING OF THE SHUT-OFF FLAP

Attach the operating aid.

Shut-off flap in the opening position.



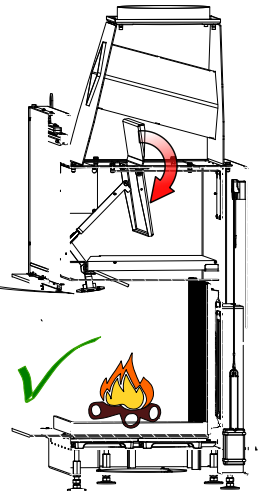
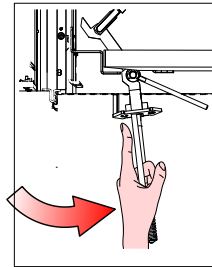
Only close the shut-off damper after combustion has been completed!



Shut-off flap in the opening position.



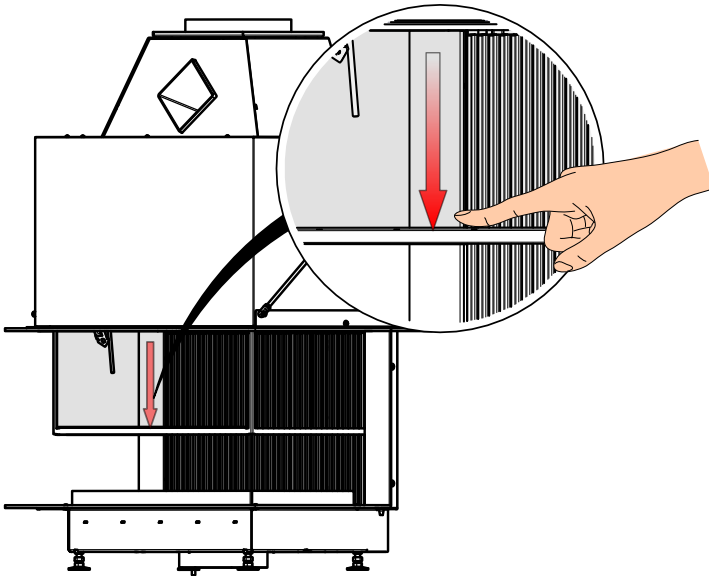
Keep the shut-off flap open during the burning!



4.3 CLOSE THE SPARK PROTECTION MESH

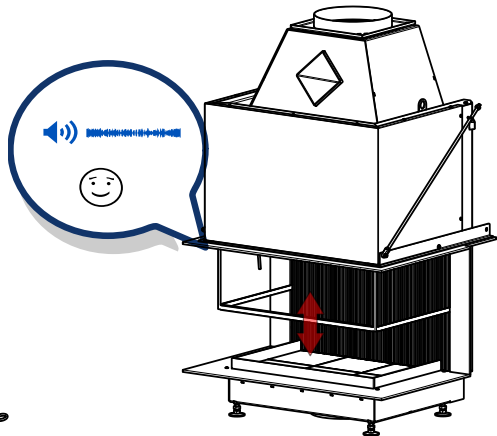
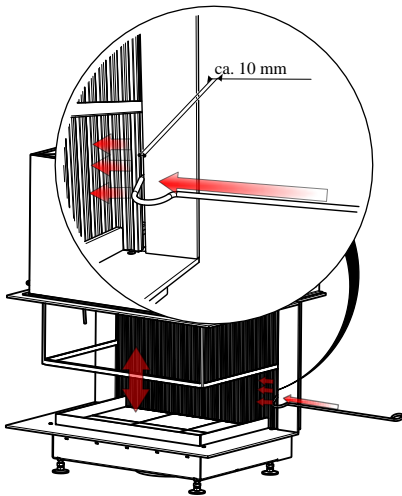
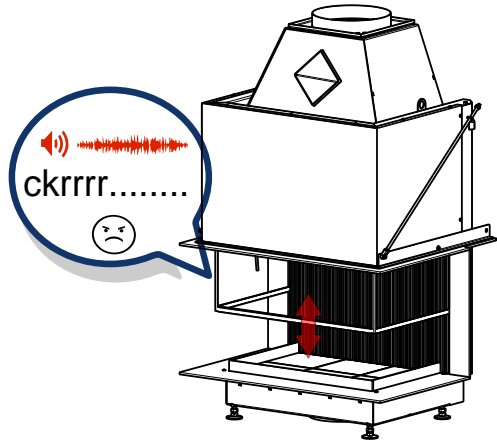


To prevent the glowing embers from falling out, keep the spark protection mesh closed during combustion!



Im. 1: Spark protection mesh

Should grinding noises occur when the spark protection is pulled, then lift the fire-protection up.



5 NOTE

In case of damage to the fireplace or other parts of the system, please contact your stove fitter immediately. In case of severe damage of door sealing ropes - do not use the fireplace.

To ensure safe operation of the system, remember to use only genuine replacement parts.

Modifications on devices can be made only by persons with manufacturer's authorization.

The warranty expires if the device has not been used as intended. Intended use includes reading and following the instructions of this User Guide.

It is necessary to follow any other relevant instructions, like the "Operating instructions for tiled stove water boilers"!

My stove fitting company:

6 DISPOSAL

Old equipment contains valuable materials that must be recycled. Observe the applicable national legal regulations for disposal.



Danger of electrocution.

Electrical connections of the furnace system are under mains voltage. This can lead to electric shock.

Switch off the power supply

Secure power supply against restart.

Old metal parts can be disposed of as metal recycling.

Electrical and electronic components must be disposed of as electronic waste. Fireclay linings can be disposed of as rubble.

Fireclay linings can be disposed of as rubble.

Dispose of insulating and insulating materials of the heating or fireplace insert in a closed container on a suitable waste disposal site.

Do not put the glass ceramic discs in the waste glass collection container!
The glass panes can be disposed of as normal household waste.

Ulrich Brunner GmbH
Zellhuber Ring 17-18
D-84307 Eggenfelden
Tel.: +49 (0) 8721/771-0 / Fax: +49 (0) 8721/771-100
Email: info@brunner.de

Technical and assortment changes as well as errors and misprints reserved.
Reprinting and reproduction, even in part, only with the express permission of the publisher.

Art. No.: XXXXX