

## FIREPLACE INSERTS FROM BRUNNER



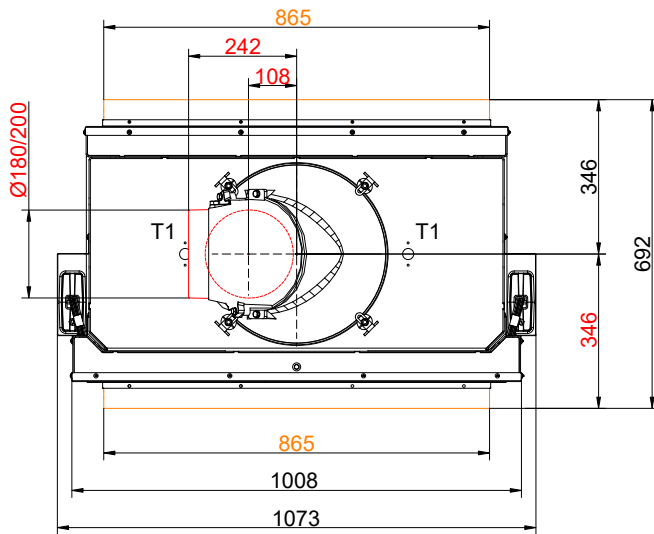
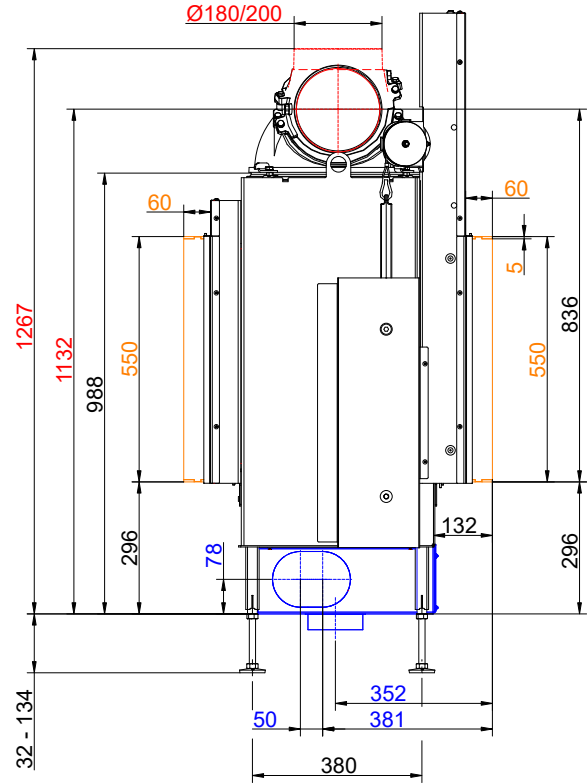
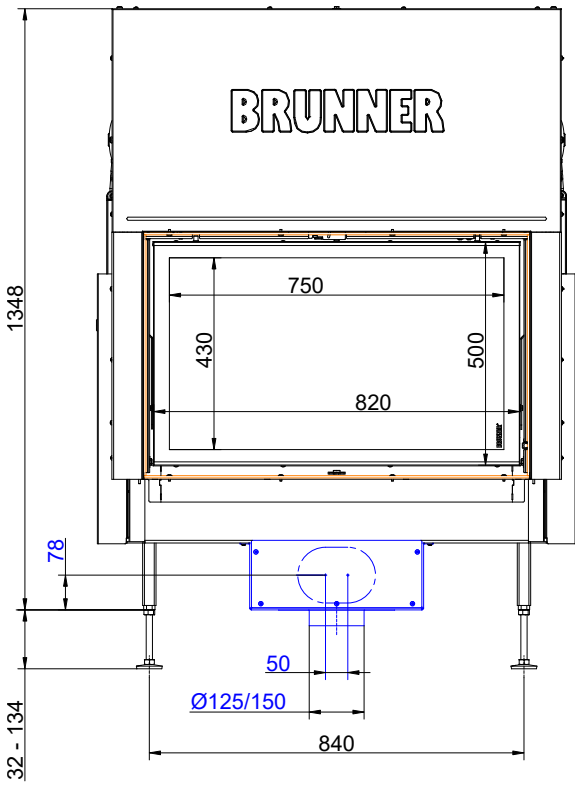
### BKH Tunnel 50-82 green

State: 2025-02-27



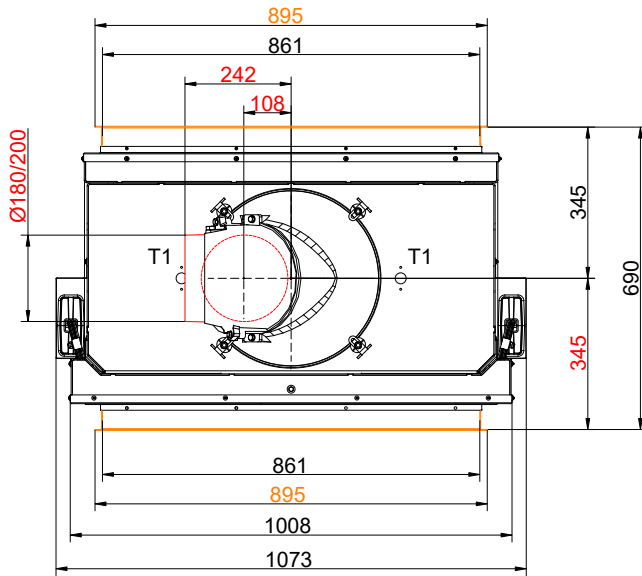
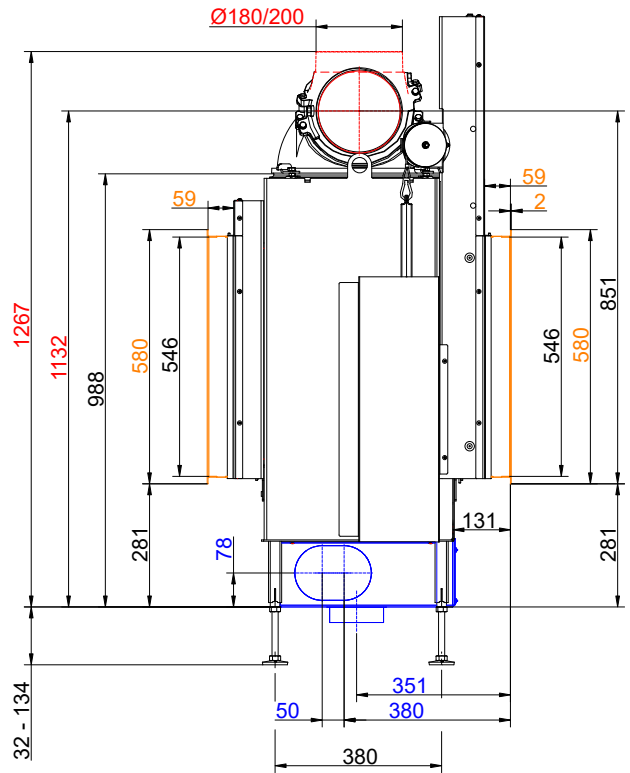
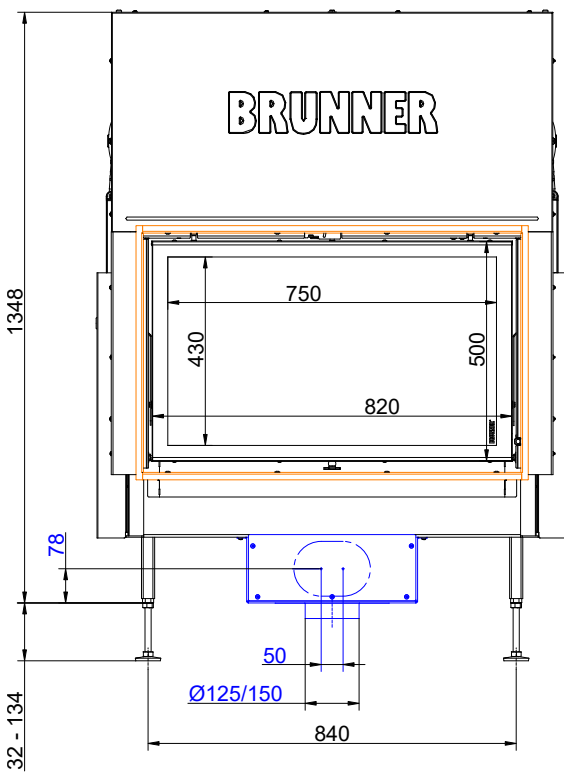
# BRUNNER®

# Dimension sheets - BKH Tunnel 50-82 green



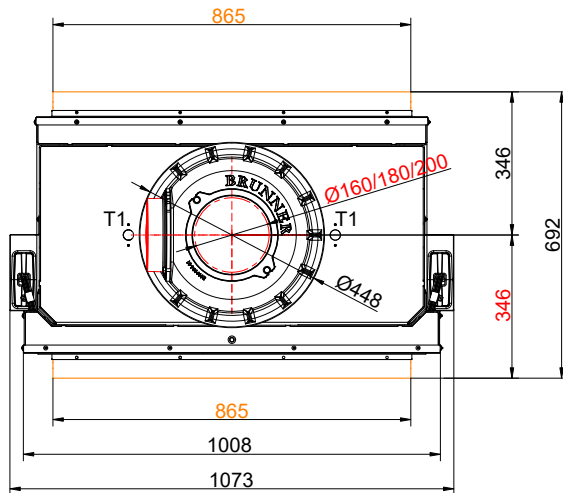
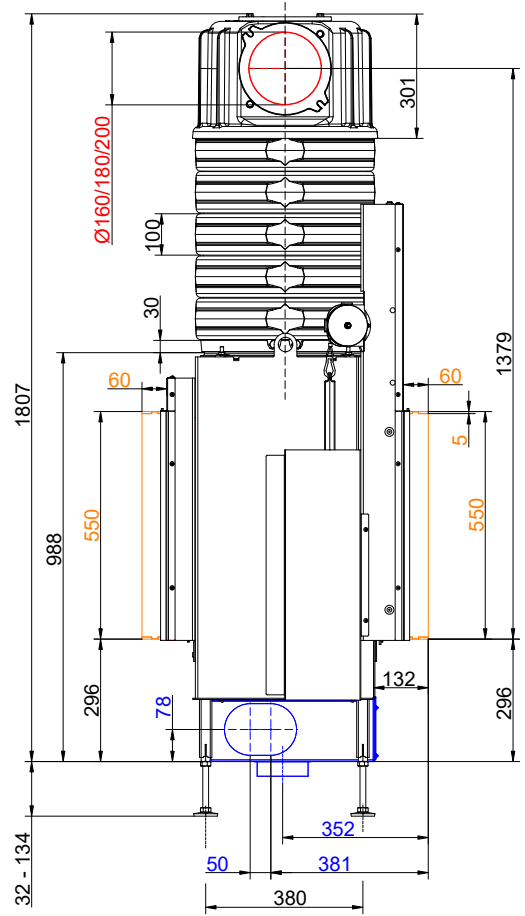
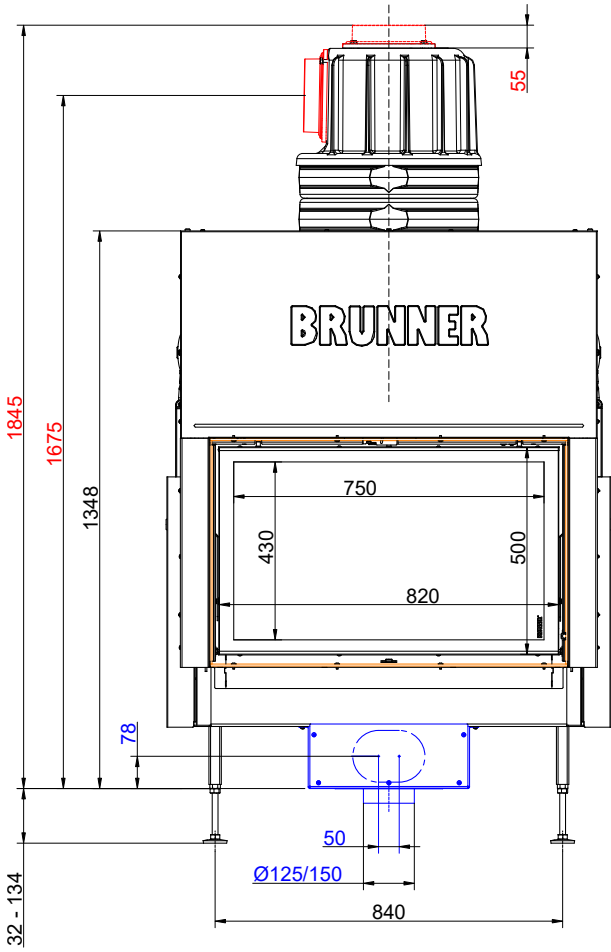
... lifting door/tilting door with mounting frame and cast iron dome

# Dimension sheets - BKH Tunnel 50-82 green



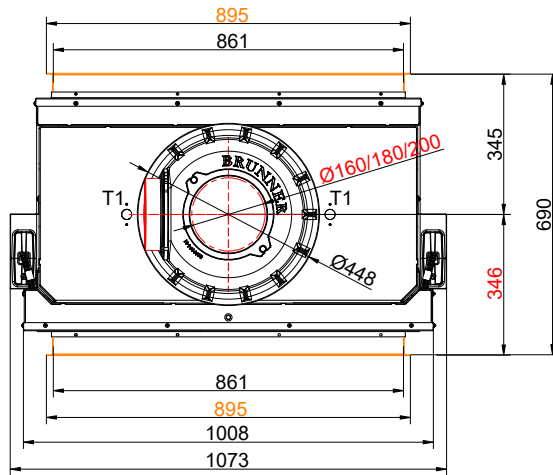
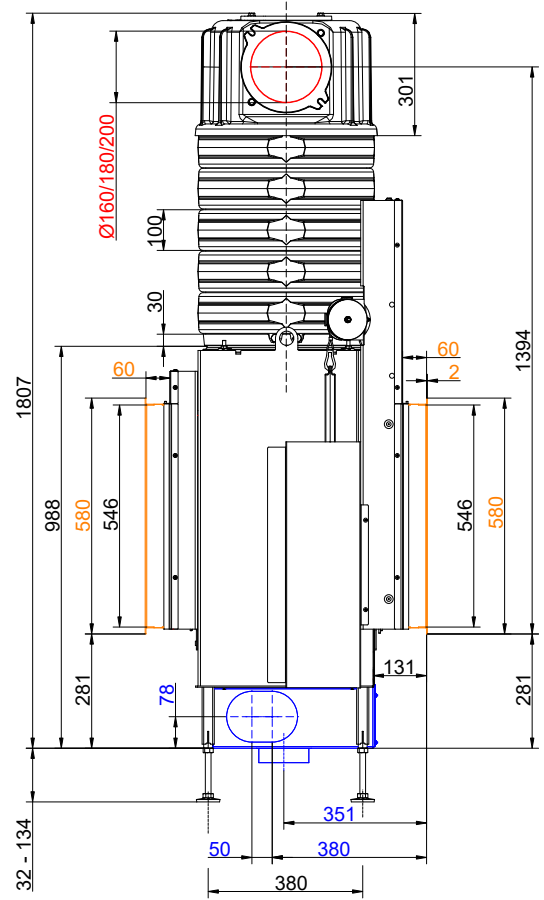
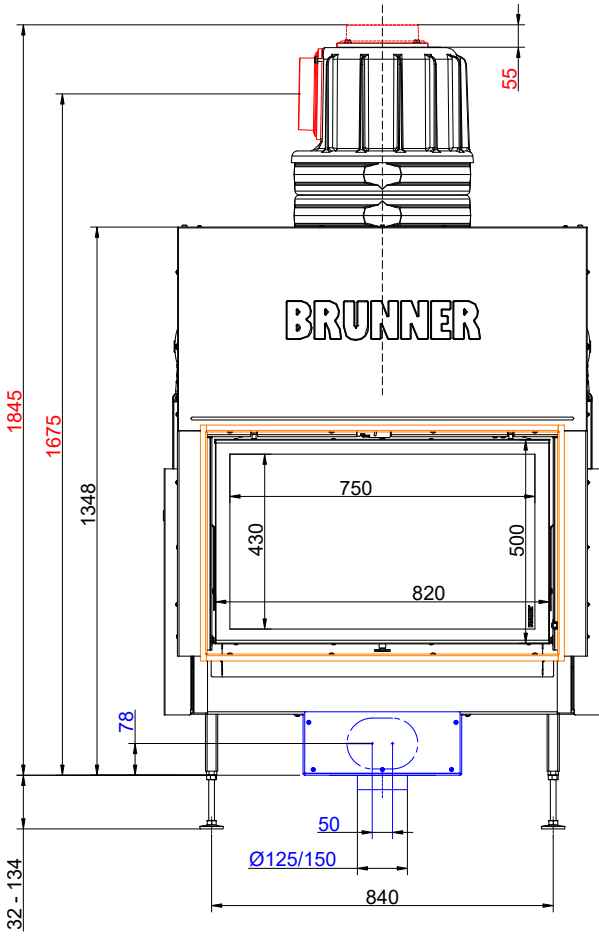
... lifting door/tilting door with door frame and cast iron dome

# Dimension sheets - BKH Tunnel 50-82 green



... lifting door/tilting door with mounting frame and MAS

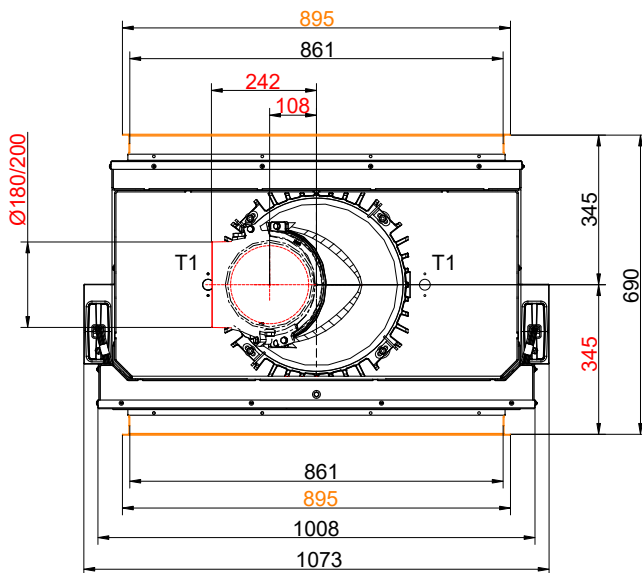
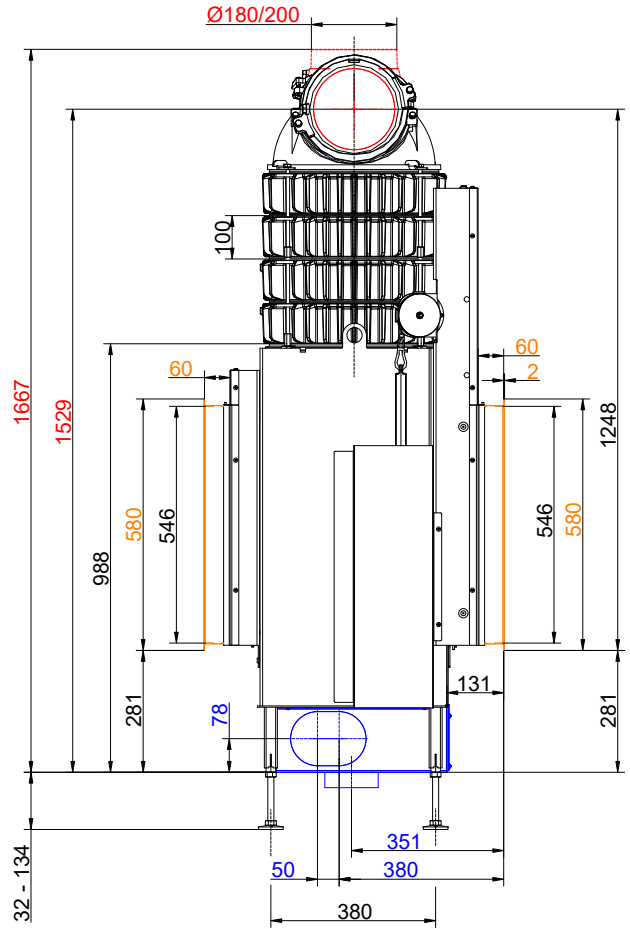
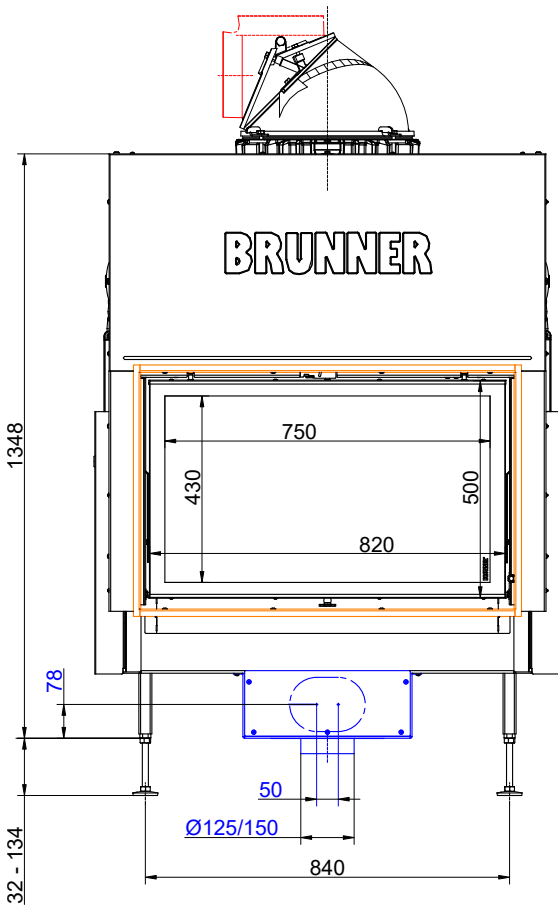
# Dimension sheets - BKH Tunnel 50-82 green



... lifting door/tilting door with door frame and MAS

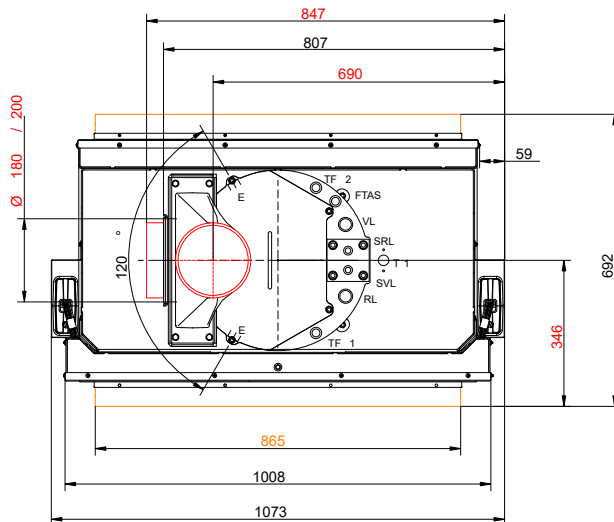
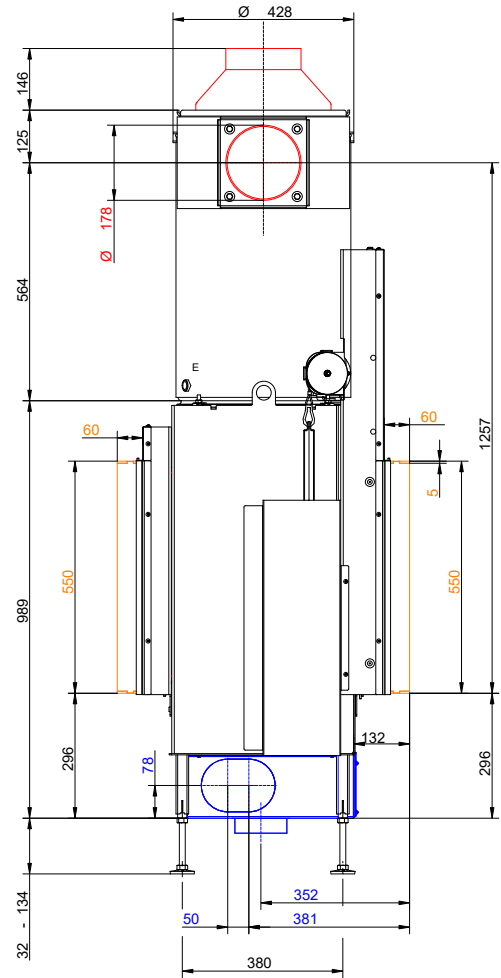
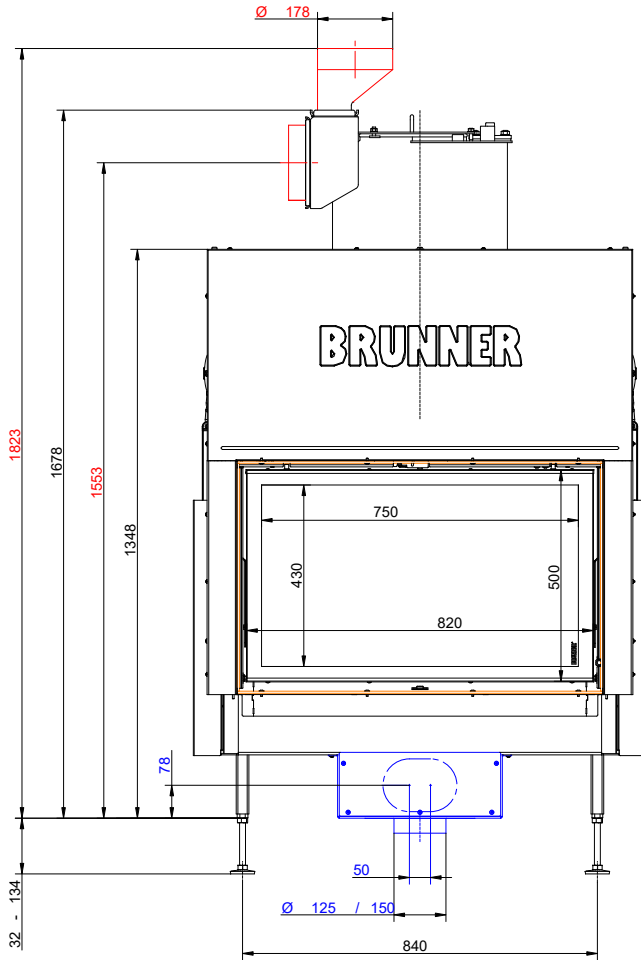


# Dimension sheets - BKH Tunnel 50-82 green



... lifting door/tilting door with door frame and cast iron heat exchanger rings + dome

# Dimension sheets - BKH Tunnel 50-82 green



- VL supply 1"ext. th.
- RL return boiler 1"ext.th.
- E drain 1/2"int. th.
- SVL supply cooling pipe outlet ext.th.
- SRL return cooling pipe outlet 1/2"ext.th.
- FTAS socket for thermal safety sensor int.th.
- TF socket 1/2" for sensor int.th.

## BKH Tunnel 50-82 ... with mounting frame and Boiler module

We suggest for CAD planning Palette CAD. Permanent updated drawings: [www.brunner.de](http://www.brunner.de)

Frames/ flue gas outlet connection/ combustion air supply connection/ front variants/ support bearing are marked in color.

# Planning and installation - BKH Tunnel 50-82 green

Tested according to		EN 13229 W	EN 13229 WA
Values measured at		Rated power <sup>1)</sup>	Storage operation <sup>2)</sup>
<b>Data for functional demonstration</b>			
Rated heat power	kW	10	-
Fire wood volume	kg/h	3.3	4.5
Combustion performance	kW	12.0	22
Flue gas mass flow	g/s	12.0	19
Flue gas temperature after:			
Cast iron dome	°C	250	350
4 x cast iron heat exchanger rings + dome	°C	210	260
5 x accumulation rings incl. MAS casted cover <sup>3)</sup>	°C	-	260
2,0 m ceramic accumulator <sup>4)</sup>	°C	-	180
1,4 m accumulation stones (MSS) <sup>4)</sup>	°C	-	180
Boiler module	°C	208	-
Necessary supply pressure	Pa	12	12
Fuel amount	kg	2.5	5.0
Combustion air consumption	m <sup>3</sup> /h	32	48
Combustion air connection Ø	mm	125	125
<b>Heat distribution</b>			
Insert / reheating surface	%	20 / 30	20 / 30
glass ceramic / glass ceramic coated (GKB)	%	50 / 40	50 / 40
<b>Cross-section of gratings <sup>5)</sup></b>			
exhaust warm air	cm <sup>2</sup>	800	800
Recirculation air	cm <sup>2</sup>	800	800
<b>Minimal oven surface for closed construction type</b>			
Heat dissipating surface	m <sup>2</sup>	4.8	4.8
<b>Minimal distances of the fireplace</b>			
Heat protection panel for cladding, insulation layer	cm	-	-
to cladding, insulation layer	cm	5	5
to the floor (non-combustible)	cm	3	3
<b>Fire protection with active rear ventilation, intermediate space</b>			
Minimum insulation thickness for construction : insulation material   5 cm rear active ventilation   wall <sup>6)</sup>			
for mounting wall (combustible/non-combustible)	cm	5	5
Minimum insulation thickness for construction: insulation material   30 cm closed gap   ceiling <sup>7)</sup>			
for ceiling (combustible)	cm	10	10
<b>Fire protection with adequate insulation material</b>			
Minimum insulation thickness for construction: insulation material   mounting wall, ceiling, floor <sup>7)</sup>			
with heat protection panel, mounting wall (non-combustible) <sup>8)</sup>	cm	6	6
with heat protection panel, mounting wall (combustible) <sup>8)</sup>	cm	12	12
Mounting wall (non-combustible)	cm	8	8
Mounting wall (combustible)	cm	18	18
Ceiling (non-combustible)	cm	8	8
Ceiling (combustible)	cm	22	22
Floor (non-combustible)	cm	0	0
<b>Minimum distances in front of the combustion chamber, glass ceramic / glass ceramic coated (GKB)</b>			
for combustible parts	cm	≥ 120 / ≥ 80	≥ 120 / ≥ 80

# Planning and installation - BKH Tunnel 50-82 green

---

## Weight

---

Fireplace insert + combustion chamber inner lining chamotte/cast iron	kg	205 + 70 / 80
--	----	---------------

---

## Meets requirement/limit values for:

---

EU / Germany	Ecodesign / 1. BImSchV (Stufe 2)
--------------	----------------------------------

---

- 1) Indications to "Rated power" determined with 4 heat exchanger rings made of cast iron and Ø200 dome.
- 2) Indications to "Storage operation" for the manual execution of the reheating surface (guide values).
- 3) Damper flap recommended
- 4) Standard value or calculated functional proof required.
- 5) Air cross-sections if the specified nominal heat output is desired as the heat output.
- 6) Fire safety: Values determined with air cross-sections recorded for testing purposes; active rear ventilation, stove shell is heat emitting.  
Insulation thickness 5 cm calcium silicate board (brands: Promasil, Silka, Skamol) and 5 cm active rear ventilation with diagonally positioned air circulation and supply air openings of 75 cm<sup>2</sup> (5x15 cm) each. For detailed design, see assembly instructions.
- 7) Fire safety: values determined in safety test with air cross-sections recorded for testing purposes; stove shell is heat emitting.  
Information on replacement insulation material with calcium silicate boards (brands: Promasil, Silka, Skamol).  
The specifications for non-combustible walls/ceilings and the structure with a closed gap (30 cm) correspond to the specifications of TROL (Germany), see assembly instructions.
- 8) Heat protection plate: accessory for BKH flat/tunnel/corner versions; factory-fitted for BKH panoramic fireplaces.