

FIREPLACE INSERTS FROM BRUNNER



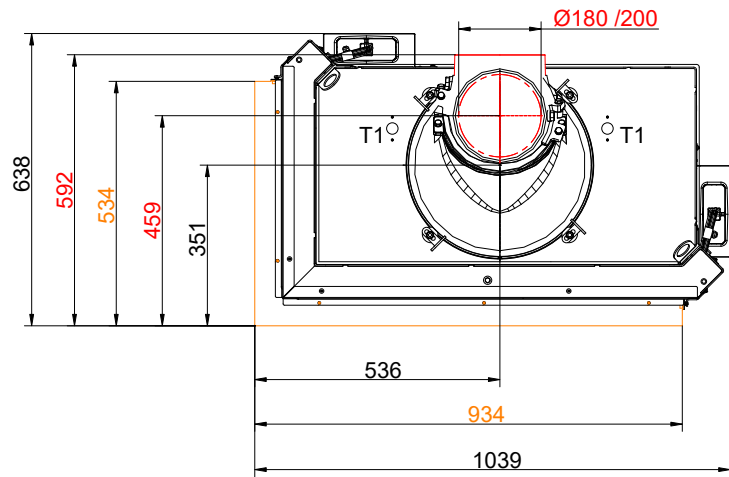
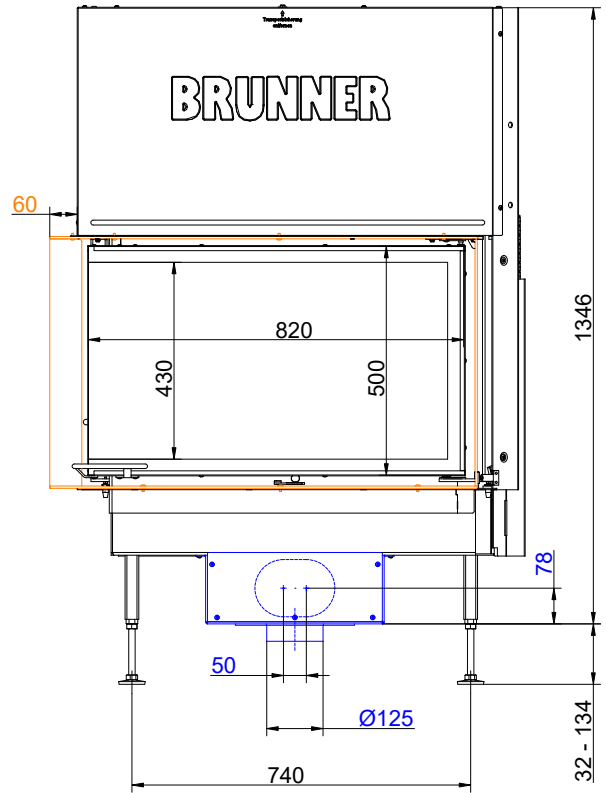
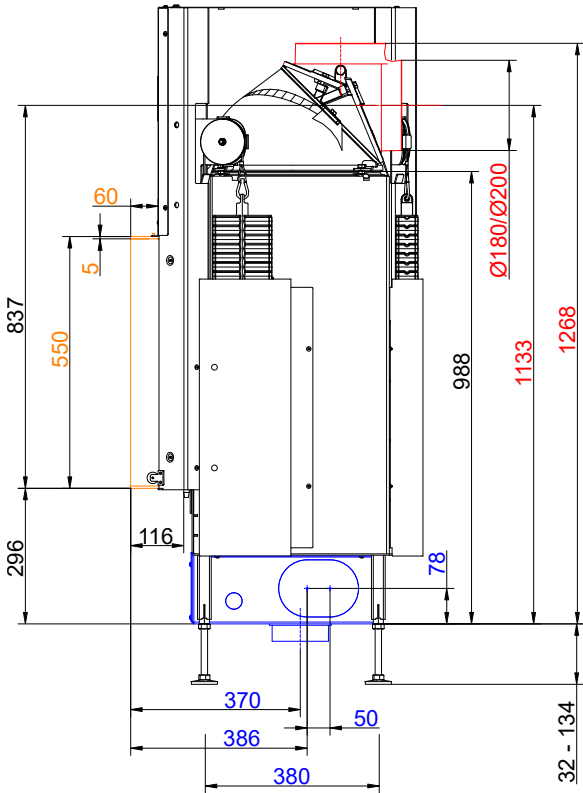
BKH corner 50-82-42 green lifting door

State: 2025-05-19



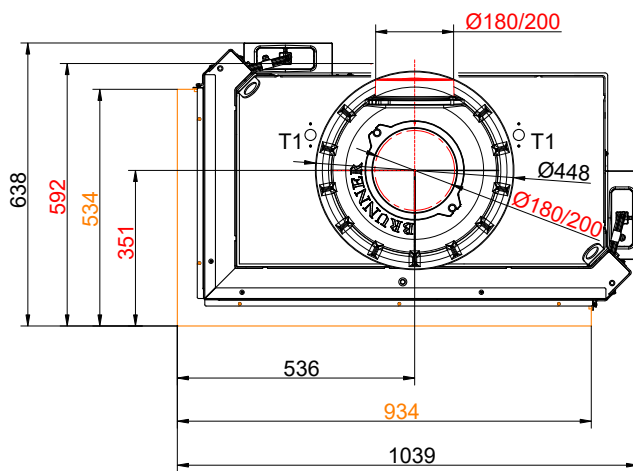
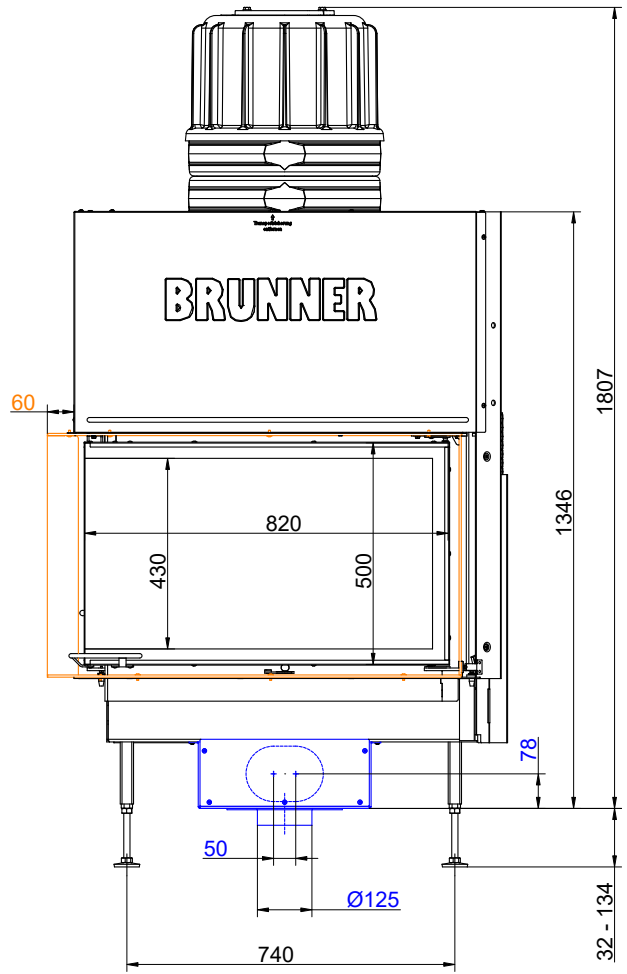
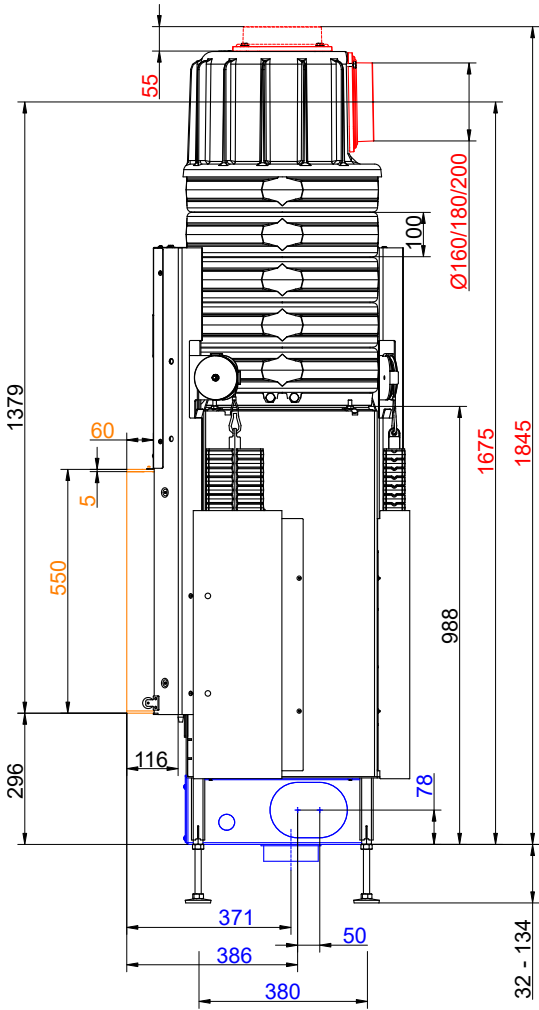
BRUNNER®

Dimension sheets - BKH corner 50-82-42 green lifting door



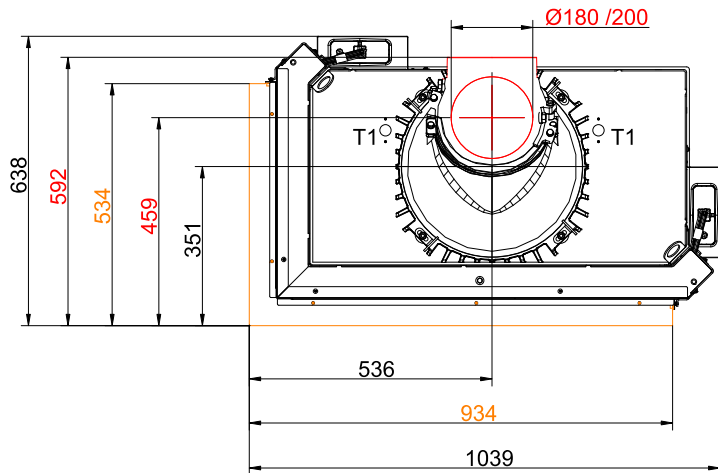
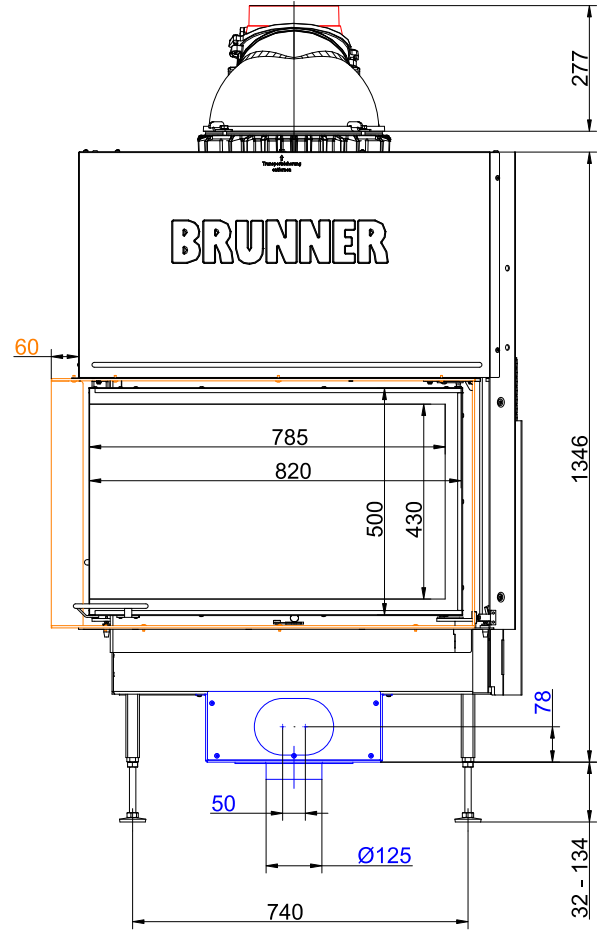
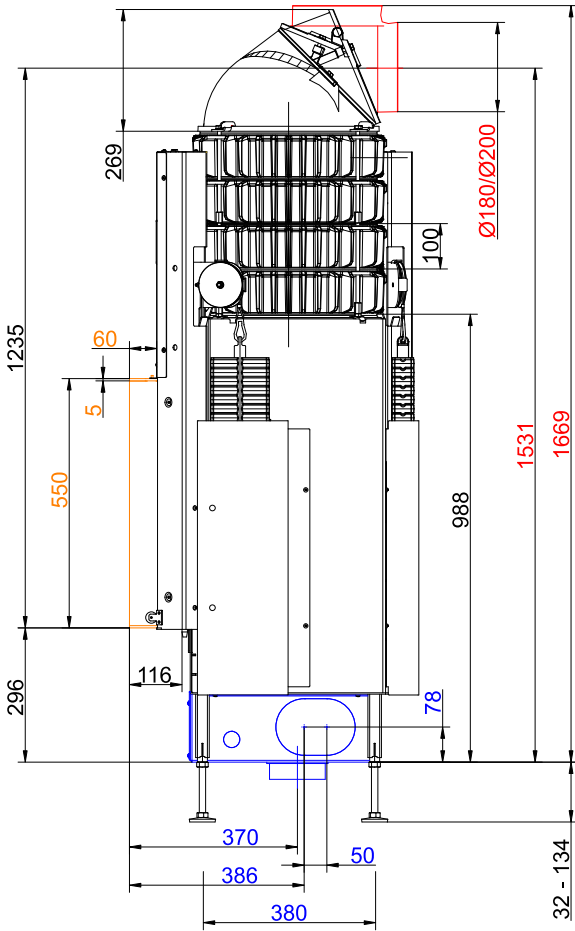
... left with mounting frame and cast iron dome

Dimension sheets - BKH corner 50-82-42 green lifting door



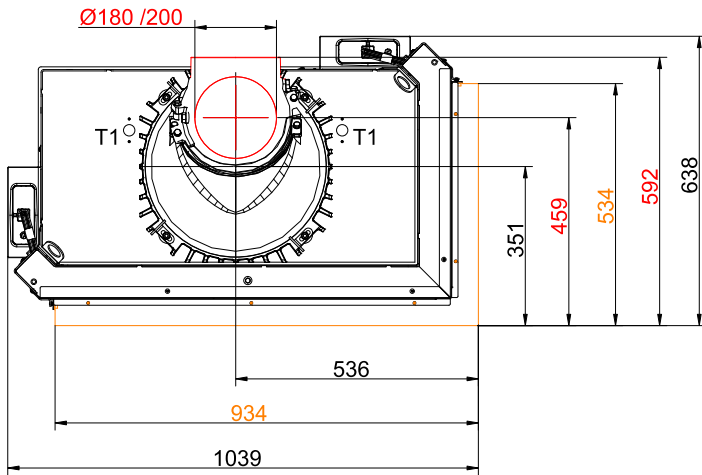
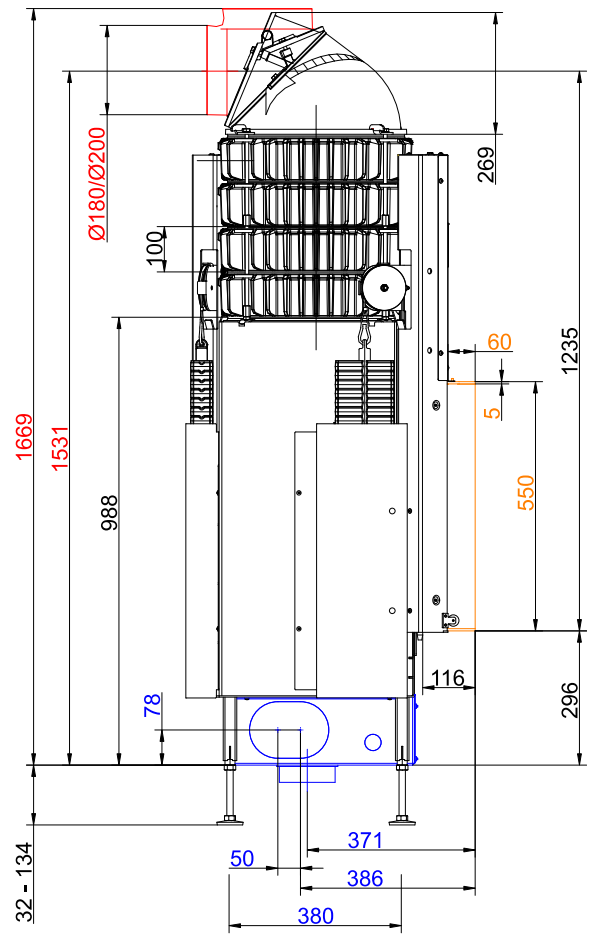
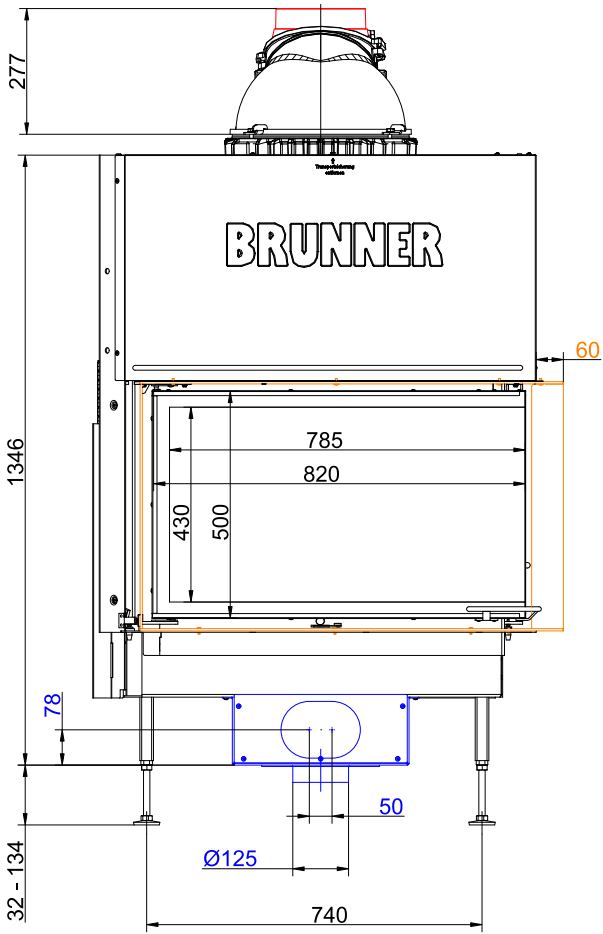
... left with mounting frame and MAS

Dimension sheets - BKH corner 50-82-42 green lifting door



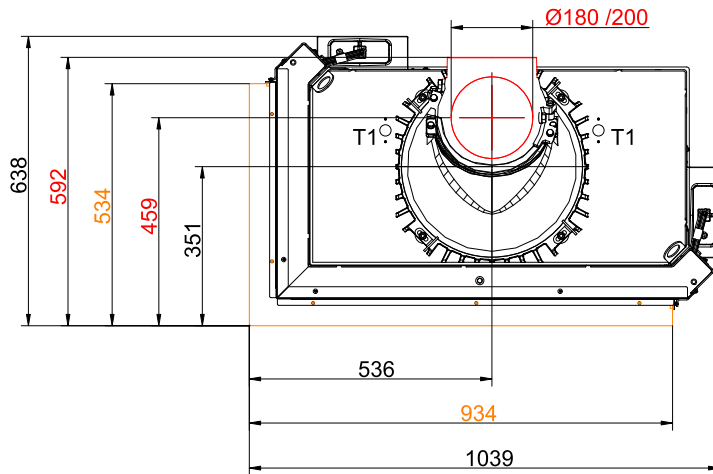
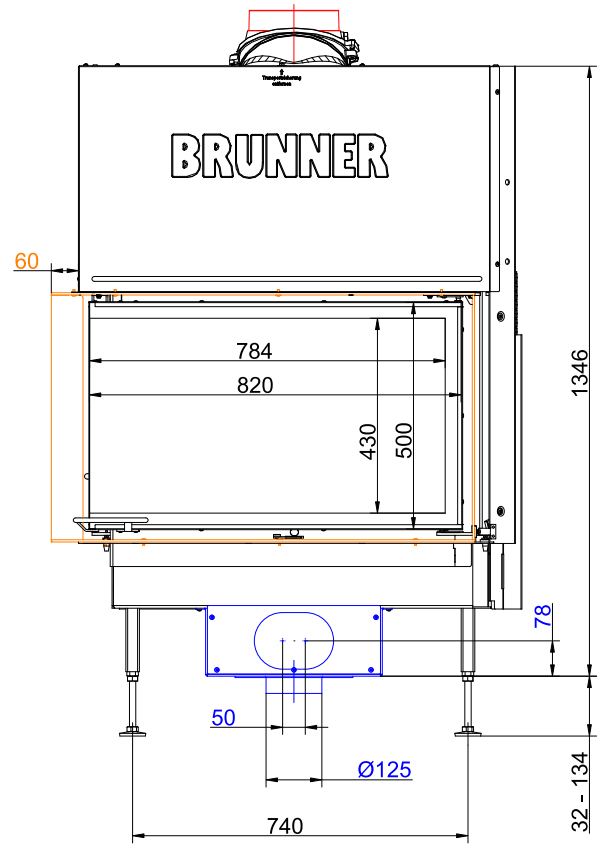
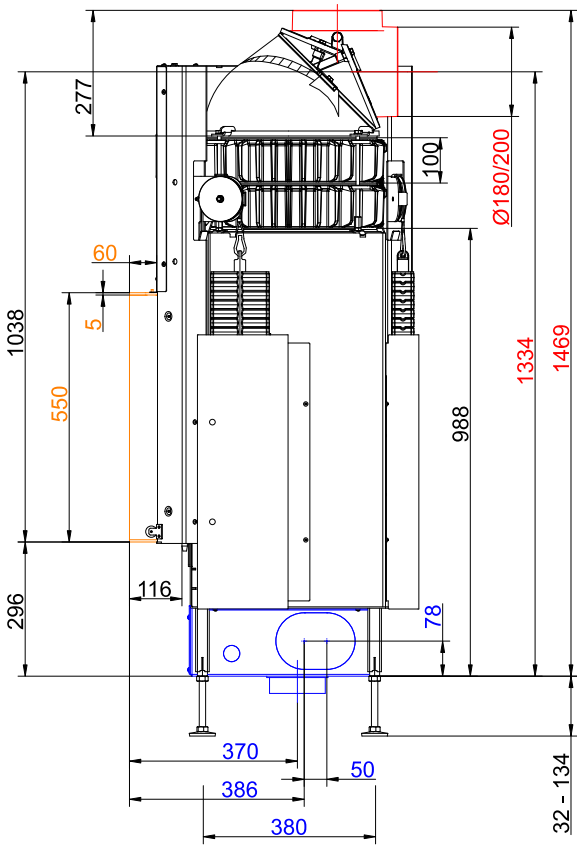
... left with mounting frame and 4 x cast iron heat exchanger rings + dome

Dimension sheets - BKH corner 50-82-42 green lifting door



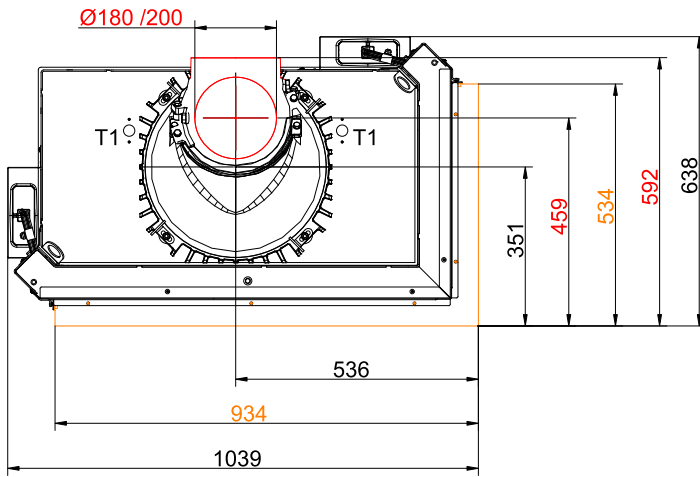
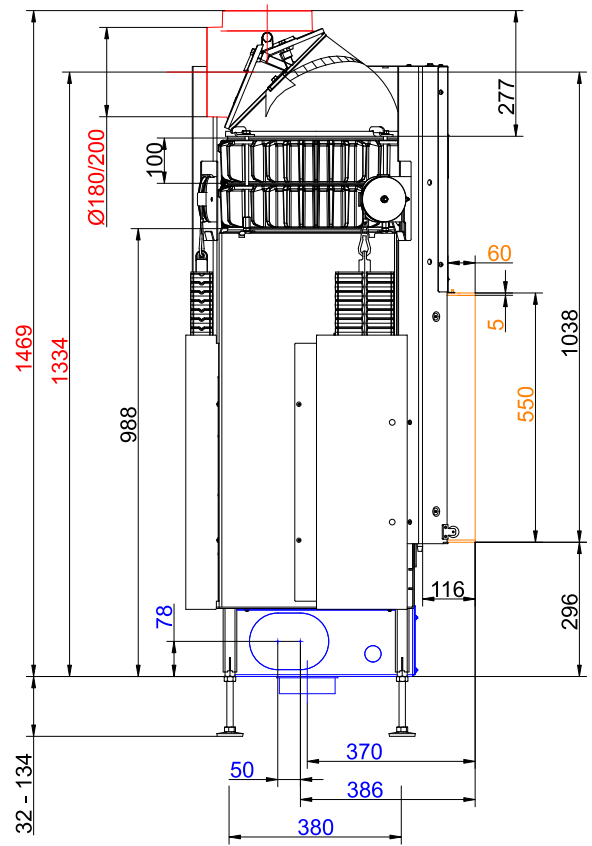
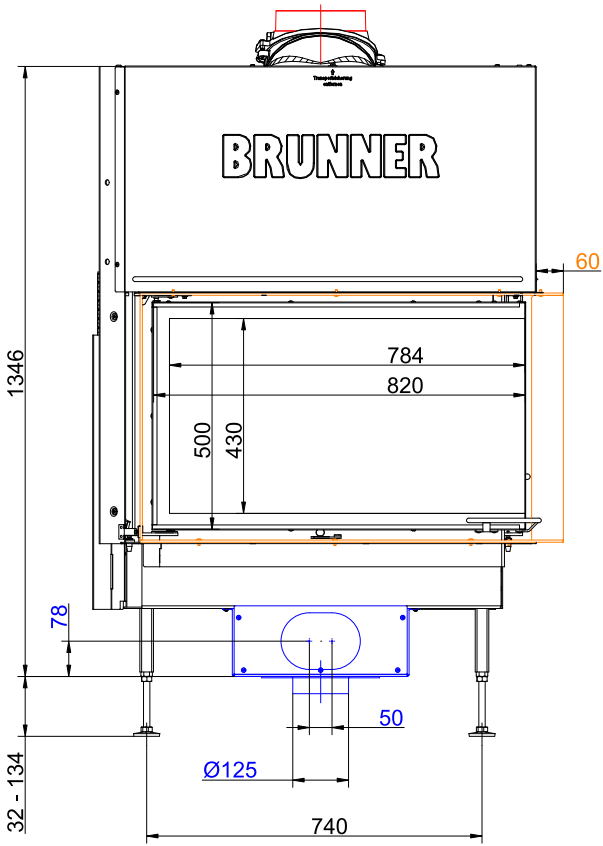
... right with mounting frame and 4 x cast iron heat exchanger rings + dome

Dimension sheets - BKH corner 50-82-42 green lifting door



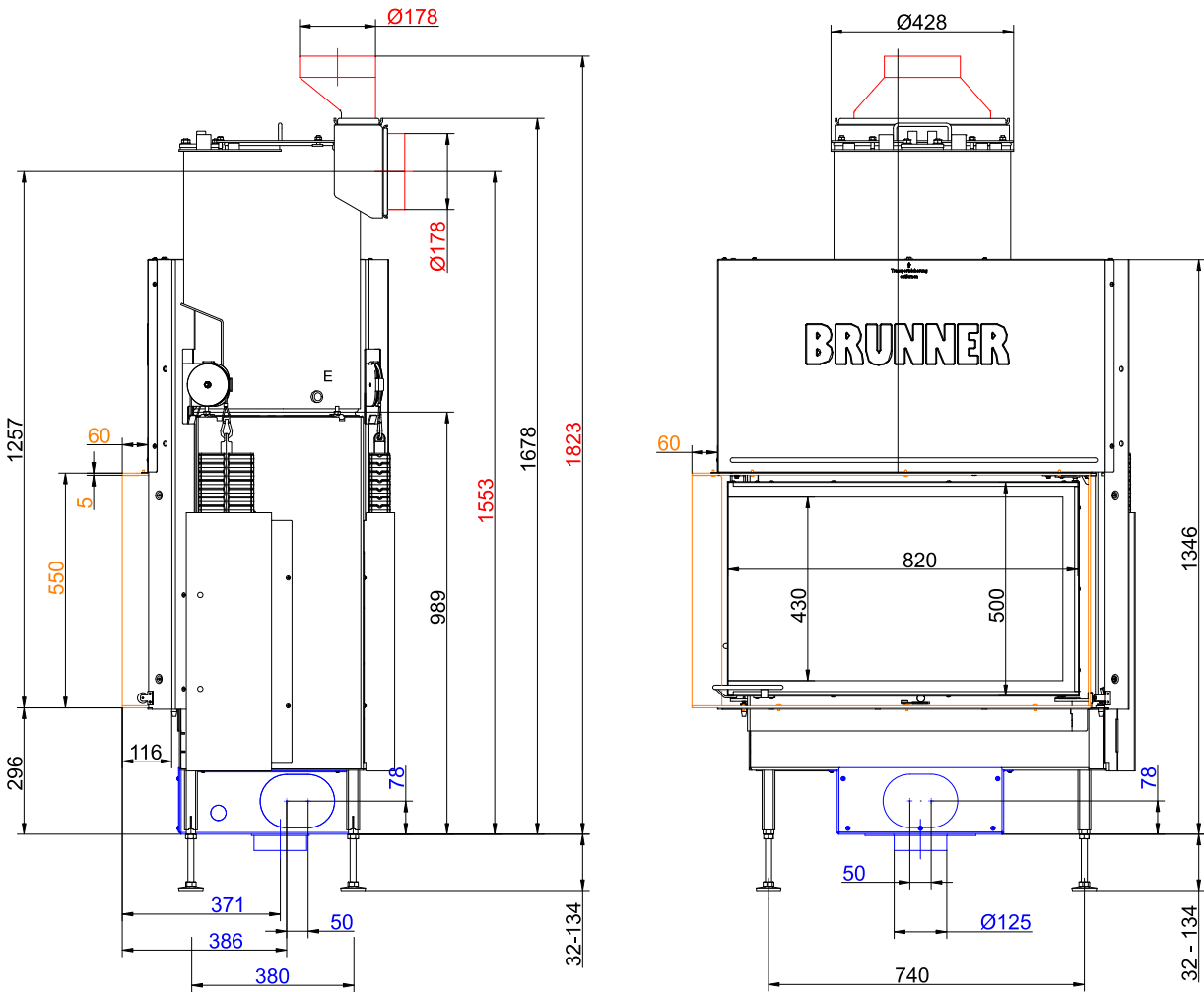
... left with mounting frame and 2 x cast iron heat exchanger rings + dome

Dimension sheets - BKH corner 50-82-42 green lifting door

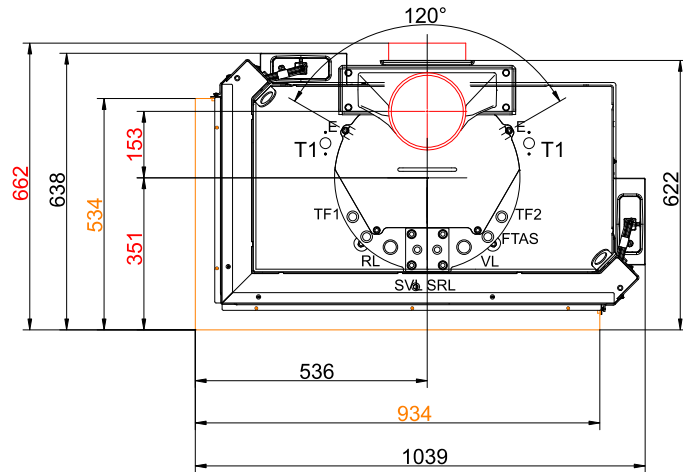


... right with mounting frame and 2 x cast iron heat exchanger rings + dome

Dimension sheets - BKH corner 50-82-42 green lifting door



- VL supply 1"ext. th.
- RL return boiler 1"ext.th.
- E drain 1/2"int. th.
- SVL supply cooling pipe outlet ext.th.
- SRL return cooling pipe outlet 1/2"ext.th.
- FTAS socket for thermal safety sensor int.th.
- TF socket 1/2" for sensor int.th.



BKH 50-82-42 I ... with mounting frame and boiler module

We suggest for CAD planning Palette CAD. Permanent updated drawings: www.brunner.de
 Frames/ flue gas outlet connection/ combustion air supply connection/ front variants/ support bearing are marked in color.

Planning and installation - BKH corner 50-82-42 green lifting door

| Tested according to | | EN 13229 W | EN 13229 WA |
|---|-------------------|---------------------------|---------------------------------|
| Values measured at | | Rated power ¹⁾ | Storage operation ²⁾ |
| Data for functional demonstration | | | |
| Rated heat power | kW | 10.0 | - |
| Fire wood volume | kg/h | 3.3 | 4.5 |
| Combustion performance | kW | 12.0 | 22 |
| Flue gas mass flow | g/s | 12.0 | 19 |
| Flue gas temperature after: | | | |
| Cast iron dome | °C | 250 | 350 |
| 4 x / 2 x cast iron heat exchanger rings + dome | °C | 210 / 240 | 260 / 320 |
| 5 x accumulation rings incl. MAS casted cover ³⁾ | °C | - | 260 |
| 2,0 m ceramic accumulator ⁴⁾ | °C | - | 180 |
| 1,4 m accumulation stones (MSS) ⁴⁾ | °C | - | 180 |
| Boiler module | °C | 208 | - |
| Necessary supply pressure | Pa | 12 | 12 |
| Fuel amount | kg | 2.5 | 5.0 |
| Combustion air consumption | m ³ /h | 32 | 48 |
| Combustion air connection Ø | mm | 125 | 125 |
| Heat distribution | | | |
| Insert / reheating surface | % | 30 / 30 | 30 / 30 |
| glass ceramic / glass ceramic coated (GKB) | % | 40 / 35 | 40 / 35 |
| Cross-section of gratings ⁵⁾ | | | |
| exhaust warm air | cm ² | 800 | 800 |
| Recirculation air | cm ² | 800 | 800 |
| Minimal oven surface for closed construction type | | | |
| Heat dissipating surface | m ² | 4.5 | 4.5 |
| Minimal distances of the fireplace | | | |
| Heat protection panel for cladding, insulation layer | cm | 3 | 3 |
| to cladding, insulation layer | cm | 5 | 5 |
| to the floor (non-combustible) | cm | 3 | 3 |
| Fire protection with active rear ventilation, intermediate space | | | |
| Minimum insulation thickness for construction : insulation material 5 cm rear active ventilation wall ⁶⁾ | | | |
| for mounting wall (combustible/non-combustible) | cm | 5 | 5 |
| Minimum insulation thickness for construction: insulation material 30 cm closed gap ceiling ⁷⁾ | | | |
| for ceiling (combustible) | cm | 10 | 10 |
| Fire protection with adequate insulation material | | | |
| Minimum insulation thickness for construction: insulation material mounting wall, ceiling, floor ⁷⁾ | | | |
| with heat protection panel, mounting wall (non-combustible) ⁸⁾ | cm | 6 | 6 |
| with heat protection panel, mounting wall (combustible) ⁸⁾ | cm | 12 | 12 |
| Mounting wall (non-combustible) | cm | 8 | 8 |
| Mounting wall (combustible) | cm | 18 | 18 |
| Ceiling (non-combustible) | cm | 8 | 8 |
| Ceiling (combustible) | cm | 22 | 22 |
| Floor (non-combustible) | cm | 0 | 0 |
| Minimum distances in front of the combustion chamber, glass ceramic / glass ceramic coated (GKB) | | | |
| for combustible parts | cm | ≥ 120 / ≥ 80 | ≥ 120 / ≥ 80 |

Planning and installation - BKH corner 50-82-42 green lifting door

Weight

| | | |
|--|----|---------------|
| Fireplace insert + combustion chamber inner lining chamotte/cast iron | kg | 213 + 76 / 88 |
|--|----|---------------|

Meets requirement/limit values for:

| | |
|--------------|----------------------------------|
| EU / Germany | Ecodesign / 1. BImSchV (Stufe 2) |
|--------------|----------------------------------|

- 1) Indications to "Rated power" determined with 4 heat exchanger rings made of cast iron and Ø200 dome.
- 2) Indications to "Storage operation" for the manual execution of the reheating surface (guide values).
- 3) Damper flap recommended
- 4) Standard value or calculated functional proof required.
- 5) Air cross-sections if the specified nominal heat output is desired as the heat output.
- 6) Fire safety: Values determined with air cross-sections recorded for testing purposes; active rear ventilation, stove shell is heat emitting.
Insulation thickness 5 cm calcium silicate board (brands: Promasil, Silka, Skamol) and 5 cm active rear ventilation with diagonally positioned air circulation and supply air openings of 75 cm² (5x15 cm) each. For detailed design, see assembly instructions.
- 7) Fire safety: values determined in safety test with air cross-sections recorded for testing purposes; stove shell is heat emitting.
Information on replacement insulation material with calcium silicate boards (brands: Promasil, Silka, Skamol).
The specifications for non-combustible walls/ceilings and the structure with a closed gap (30 cm) correspond to the specifications of TROL (Germany), see assembly instructions.
- 8) Heat protection plate: accessory for BKH flat/tunnel/corner versions; factory-fitted for BKH panoramic fireplaces.