

## FIREPLACE INSERTS FROM BRUNNER



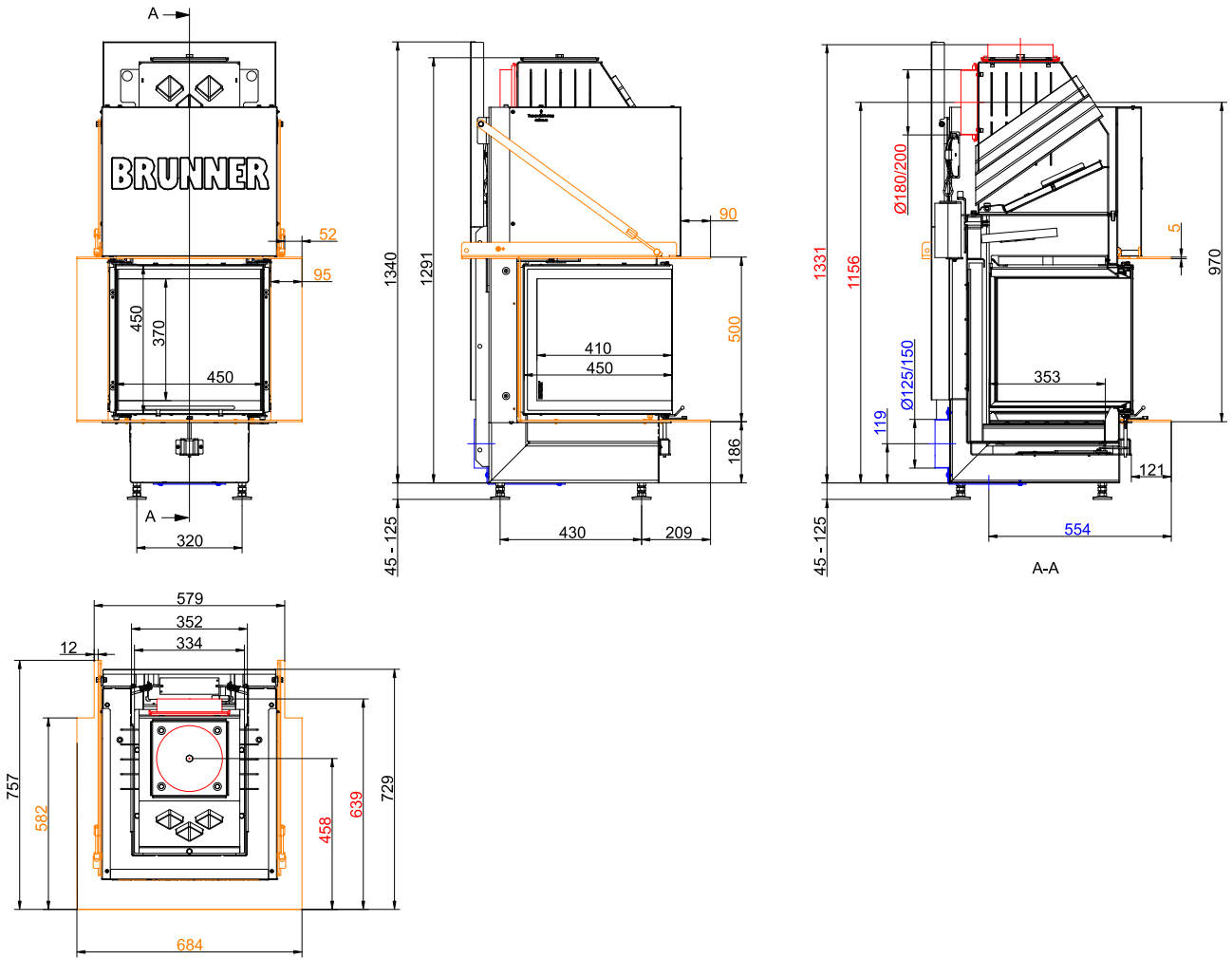
### BKH Panorama 45-45-45-45 green

State: 2025-06-17



# BRUNNER®

# Dimension sheets - BKH Panorama 45-45-45-45 green

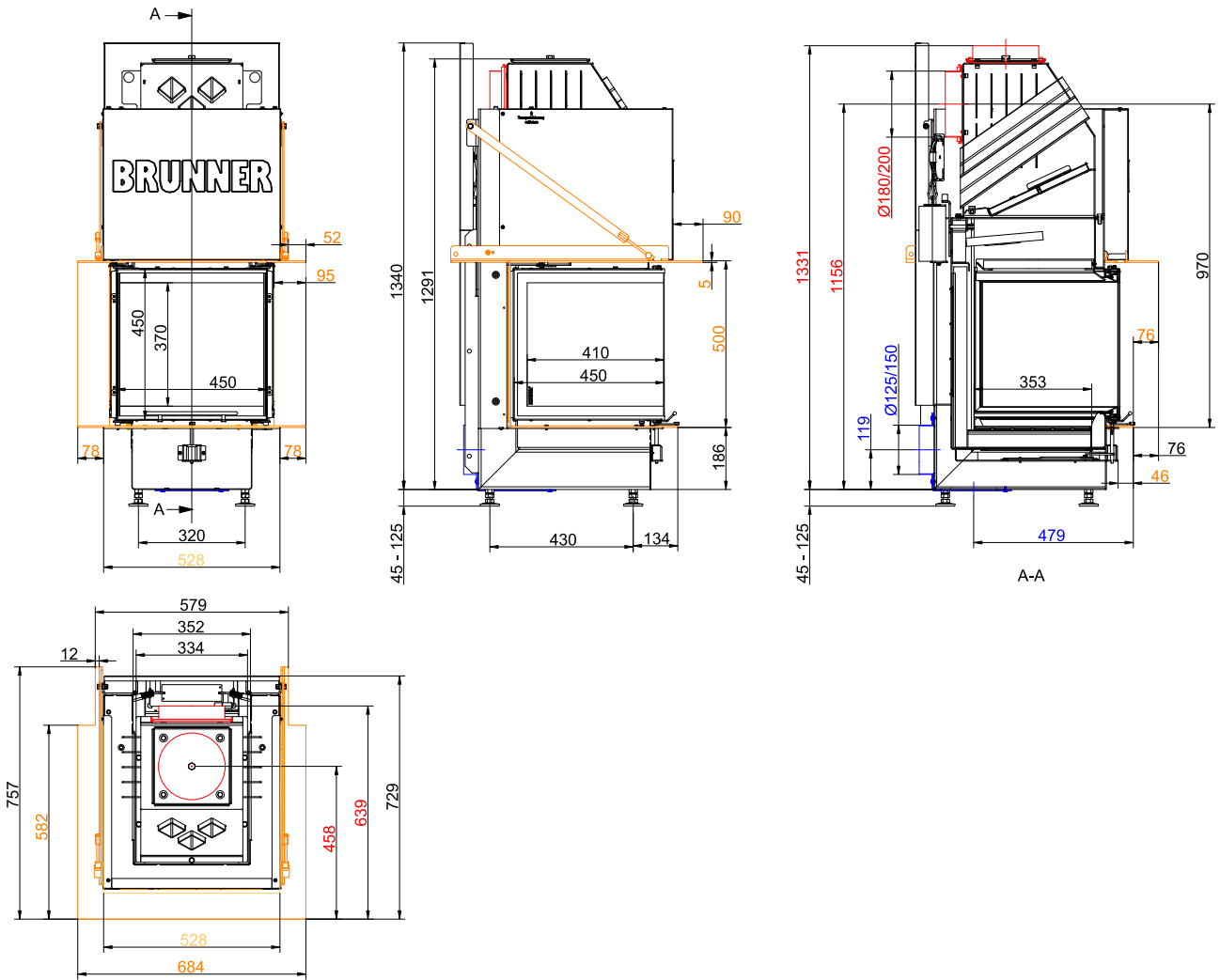


... with steel smoke hood and Feuertisch (wide frame)



... detail wide frame (schematic)

# Dimension sheets - BKH Panorama 45-45-45-45 green

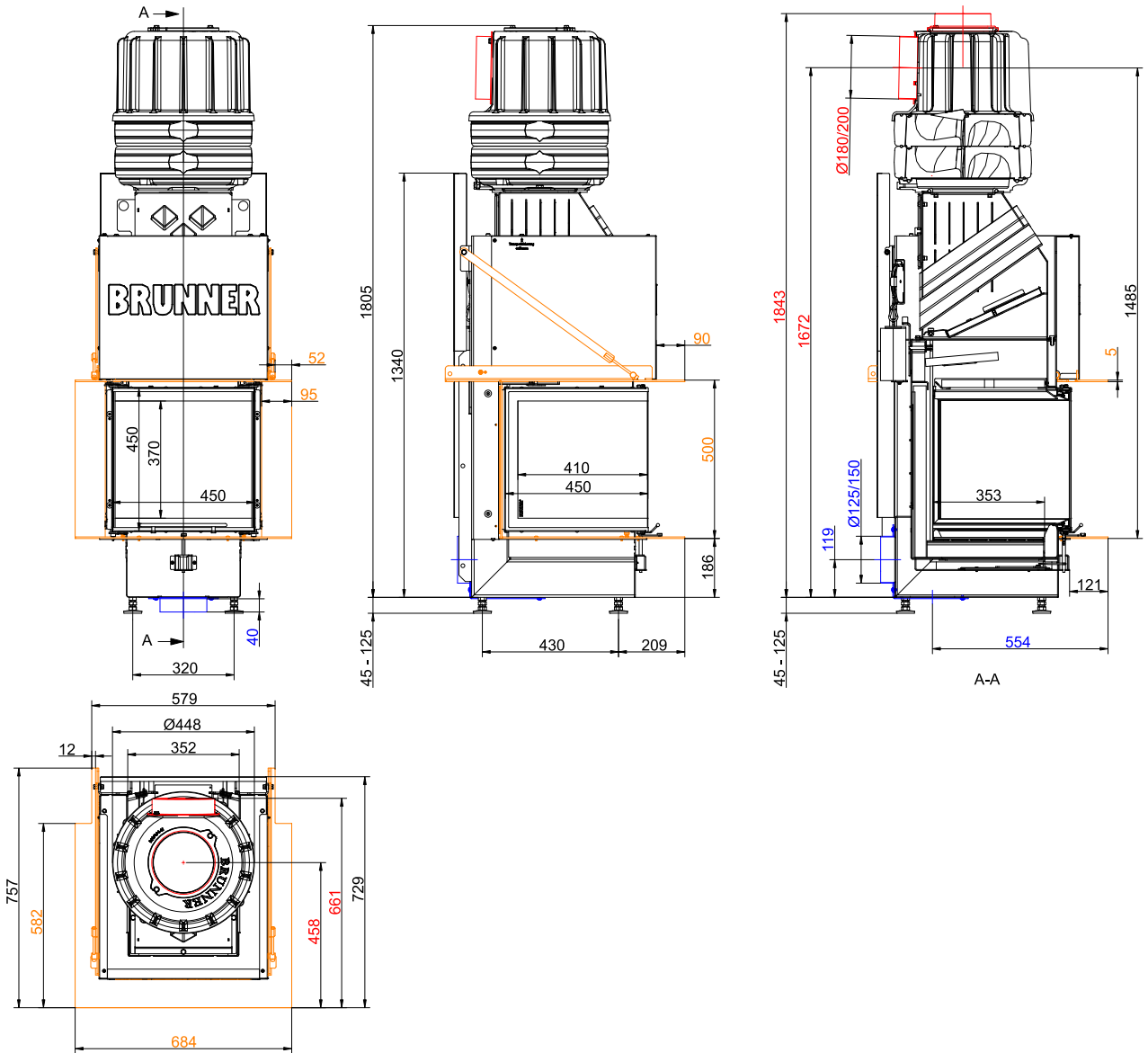


... with steel smoke hood and narrow frame



... detail narrow frame (schematic)

# Dimension sheets - BKH Panorama 45-45-45-45 green

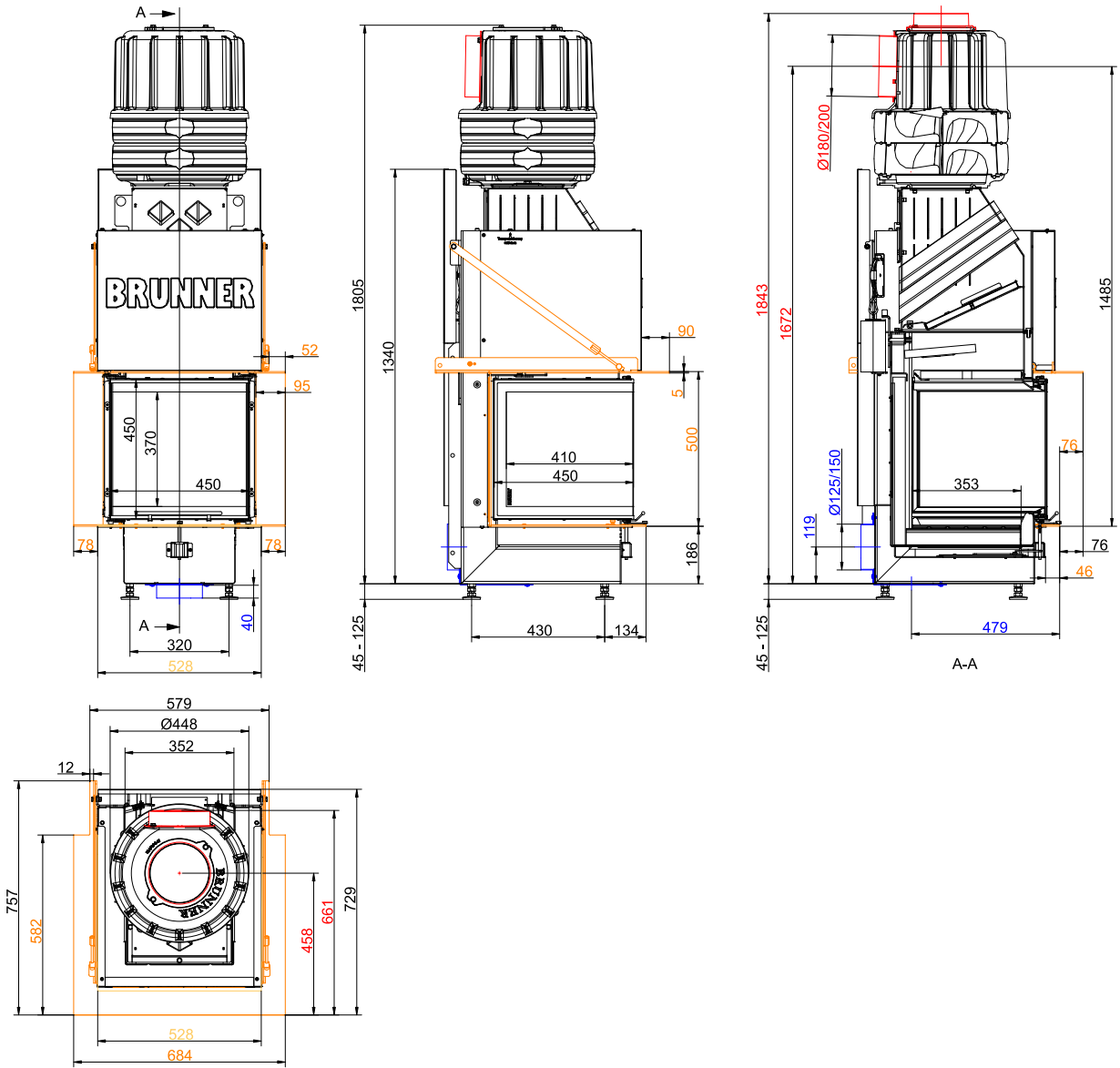


... with steel smoke hood + MAS and Feuertisch (wide frame)



... detail wide frame (schematic)

# Dimension sheets - BKH Panorama 45-45-45-45 green

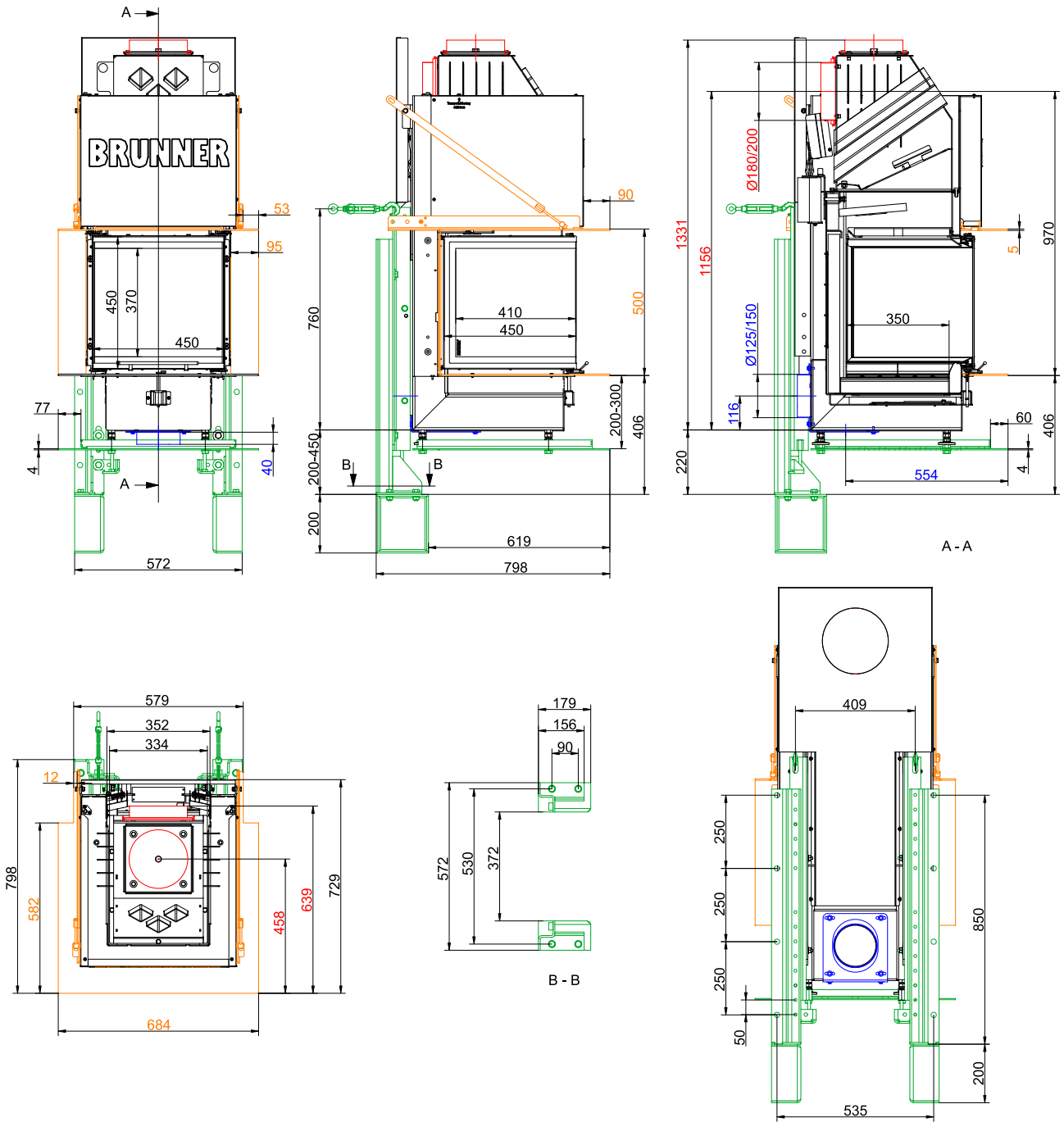


... with steel smoke hood + MAS and Mounting bracket



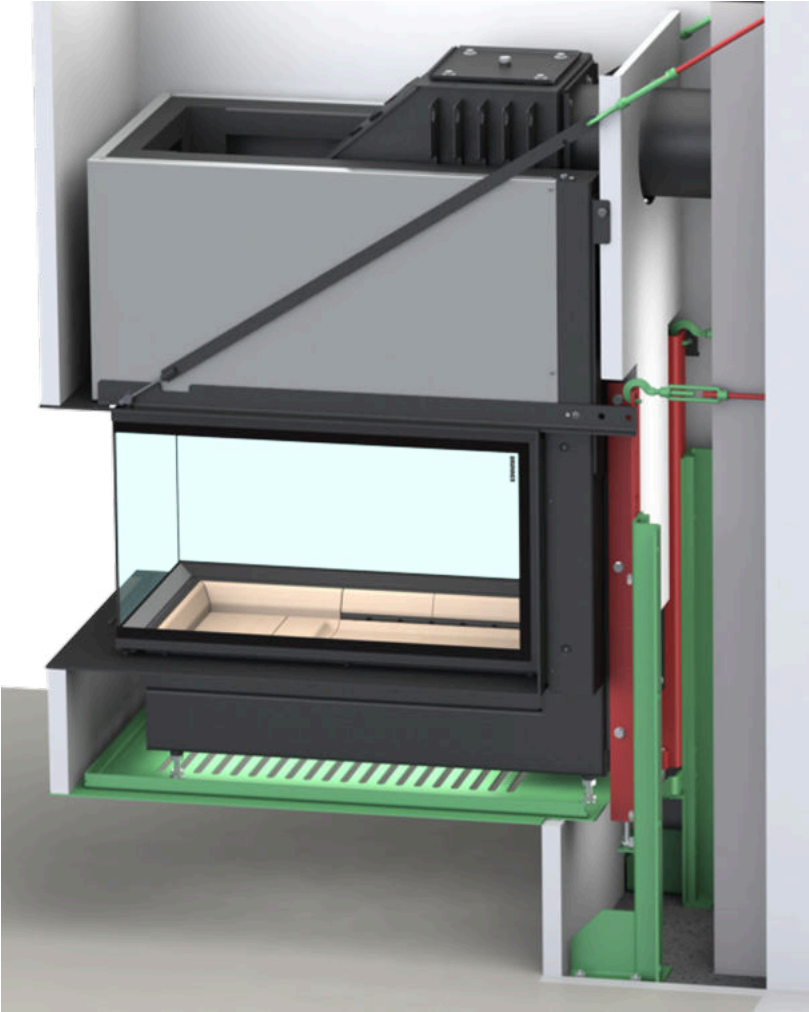
... detail narrow frame (schematic)

# Dimension sheets - BKH Panorama 45-45-45-45 green



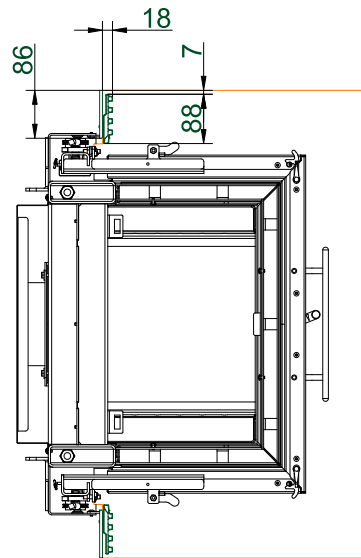
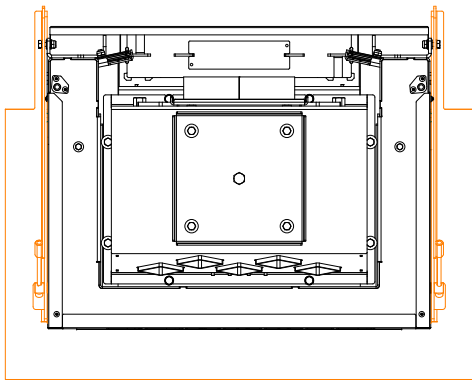
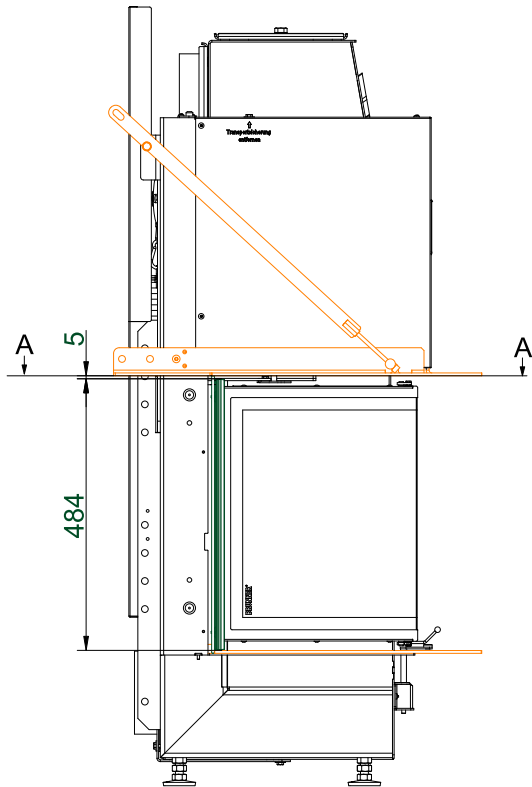
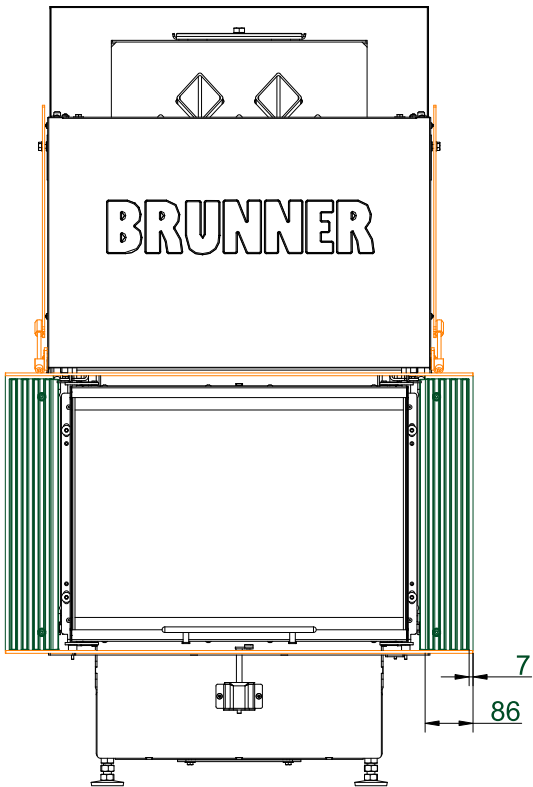
... with support bracket + raising piece for carrier unit 200 mm

**Dimension sheets - BKH Panorama 45-45-45-45 green**

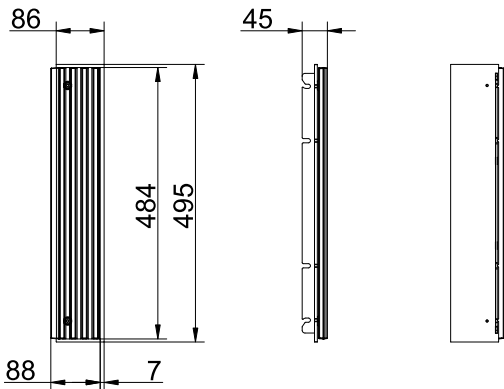


... detail of support bracket without raising piece for carrier unit (schematic)

# Dimension sheets - BKH Panorama 45-45-45-45 green

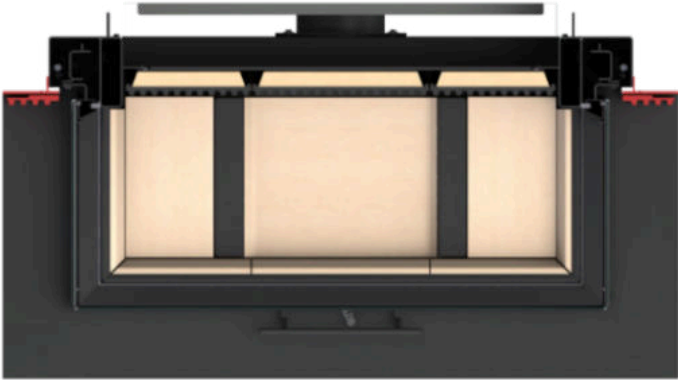
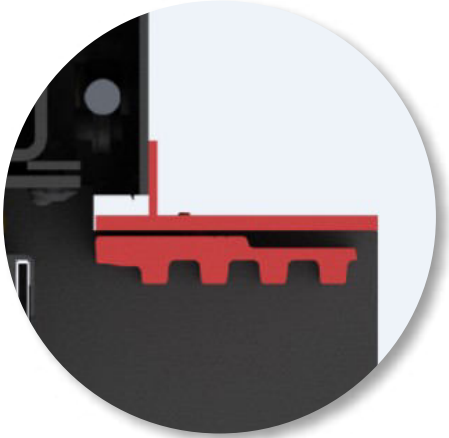


A-A



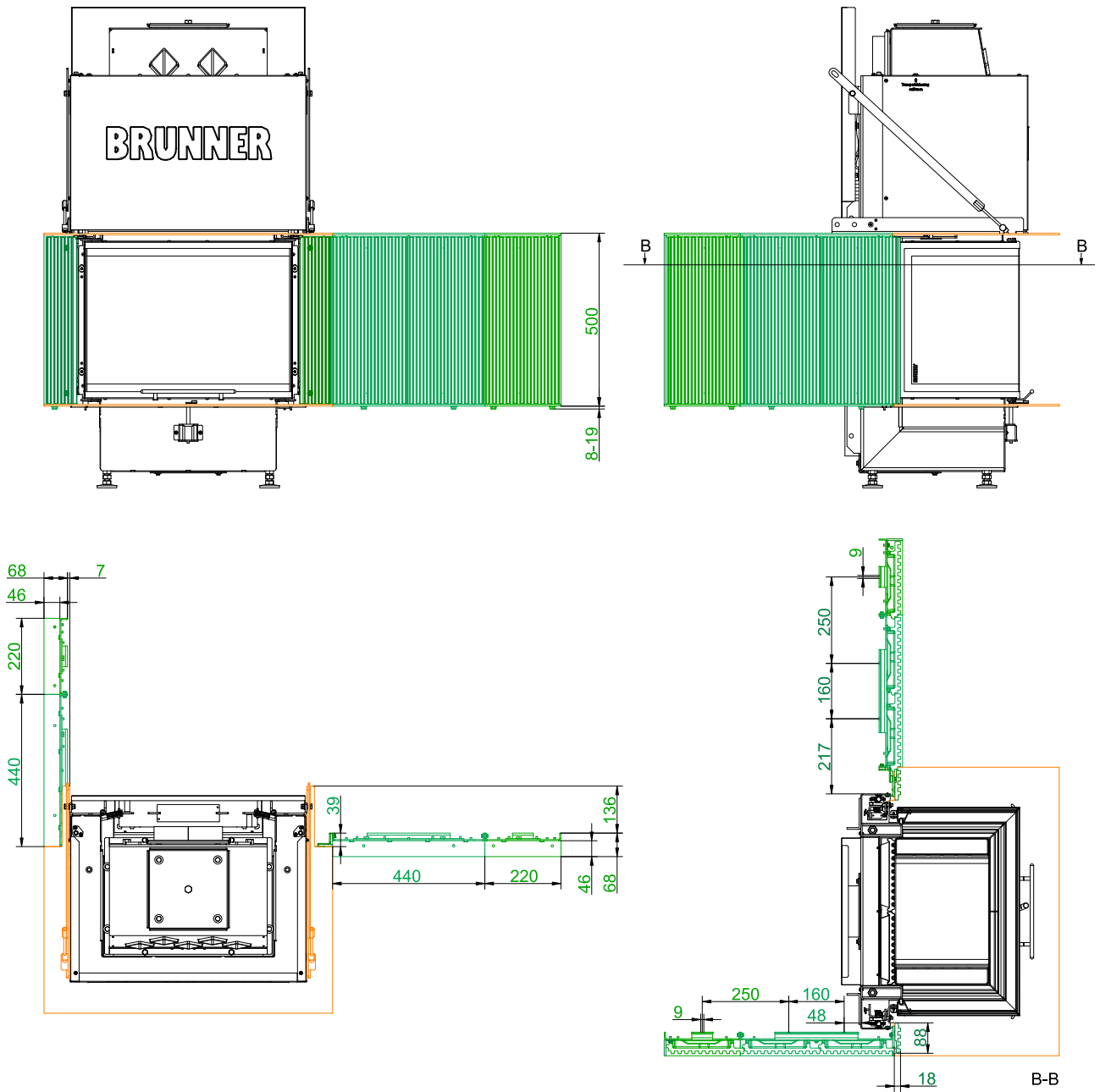
... minimum combustion chamber extension with "start-end" modules (schematic)

**Dimension sheets - BKH Panorama 45-45-45-45 green**



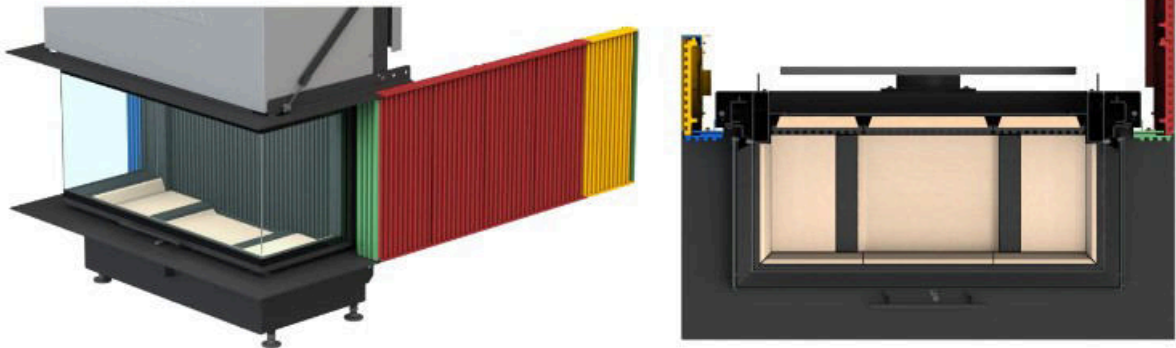
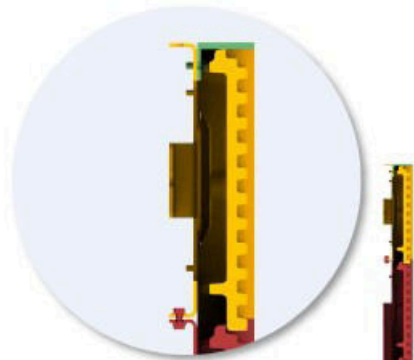
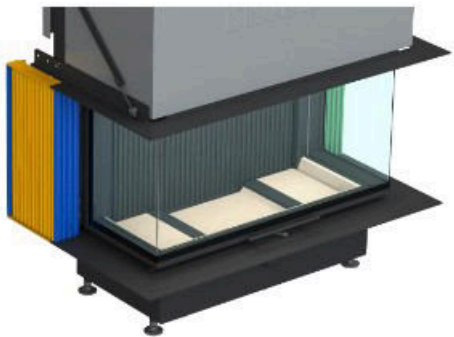
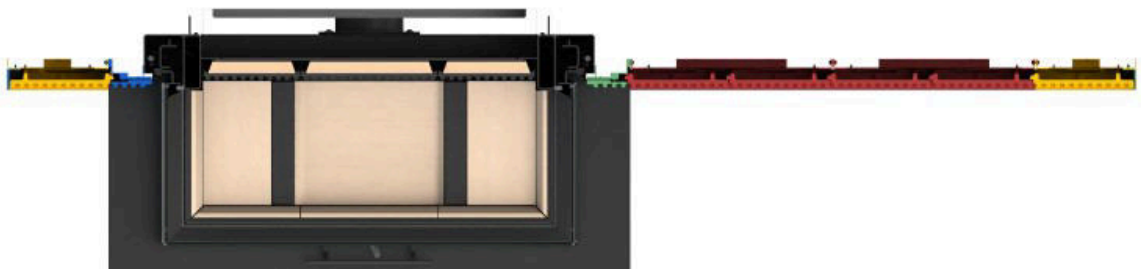
... detail (schematic) modules "start-end" (red)

# Dimension sheets - BKH Panorama 45-45-45-45 green



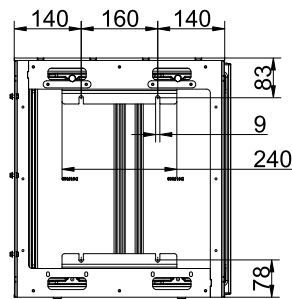
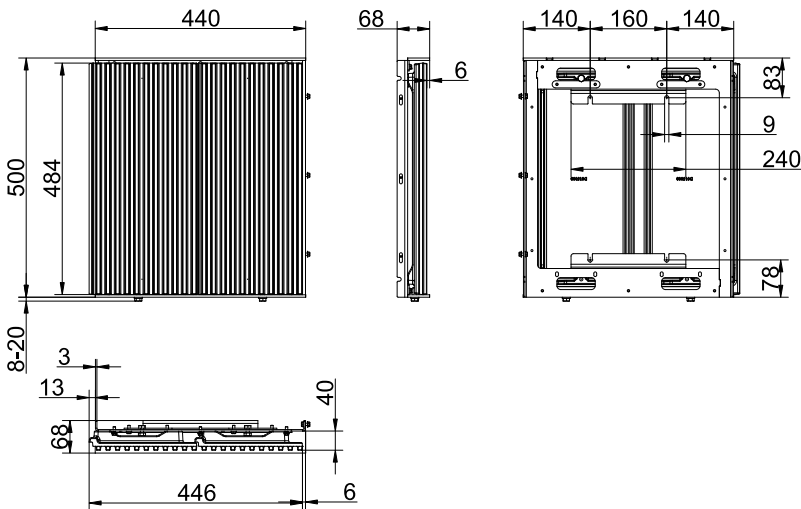
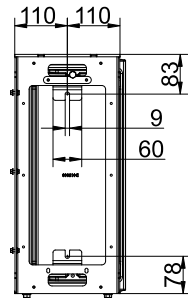
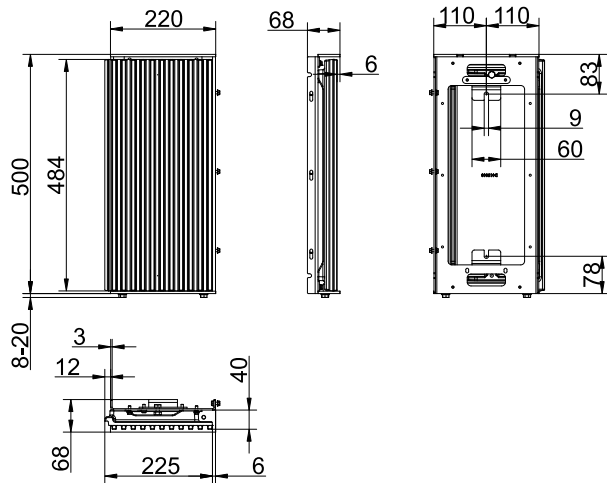
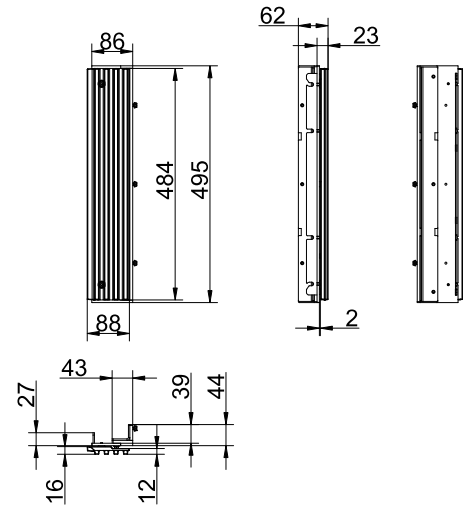
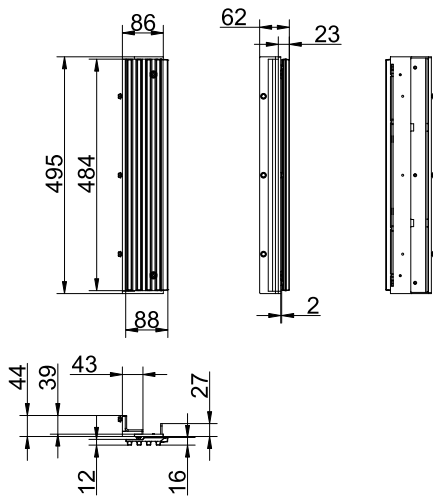
... cast iron firebox extension to the rear / to side with "Start-left" / "Start-right", "2-pieces", "1-piece" modules

# Dimension sheets - BKH Panorama 45-45-45-45 green



... detail (schematic) "Start-left" (blue), "Start-right" (green), "1-piece" (yellow) and "2-piece" (red) modules

# Dimension sheets - BKH Panorama 45-45-45-45 green



... Cast combustion chamber extension: "start-left", "start-right", "1-piece" and "2-piece" modules

We suggest for CAD planning Palette CAD. Permanent updated drawings: [www.brunner.de](http://www.brunner.de)  
 Frames/ flue gas outlet connection/ combustion air supply connection/ front variants/ support bearing are marked in color.

# Planning and installation - BKH Panorama 45-45-45-45 green

Tested according to		EN 13229 W	EN 13229 WA
Values measured at		Rated power <sup>1)</sup>	Storage operation <sup>2)</sup>
<b>Data for functional demonstration</b>			
Rated heat power	kW	7	-
Fire wood volume	kg/h	2.1	3.3
Combustion performance	kW	9	10
Flue gas mass flow	g/s	8.5	10
Flue gas temperature after:			
steel smoke hood	°C	210	260
2 x accumulation rings incl. MAS casted cover <sup>3)</sup>	°C	-	180
Necessary supply pressure	Pa	12	12
Fuel amount	kg	1.5	2.5
Combustion air consumption	m <sup>3</sup> /h	21	32
Combustion air connection Ø	mm	125 / 150	125 / 150
<b>Heat distribution</b>			
Insert / reheating surface	%	25 / 30	25 / 30
glass ceramic / glass ceramic coated (GKB)	%	45 / 35	45 / 35
<b>Cross-section of gratings <sup>4)</sup></b>			
exhaust warm air	cm <sup>2</sup>	500	500
Recirculation air	cm <sup>2</sup>	500	500
<b>Minimal oven surface for closed construction type</b>			
Heat dissipating surface	m <sup>2</sup>	3.5	3.5
<b>Minimal distances of the fireplace</b>			
Heat protection panel for cladding, insulation layer	cm	3	3
to cladding, insulation layer	cm	5	5
to the floor (non-combustible)	cm	3	3
<b>Fire protection with active rear ventilation, intermediate space</b>			
Minimum insulation thickness for construction : insulation material   5 cm rear active ventilation   wall <sup>5)</sup>			
for mounting wall (combustible/non-combustible)	cm	5	5
Minimum insulation thickness for construction: insulation material   30 cm closed gap   ceiling <sup>6)</sup>			
for ceiling (combustible)	cm	10	10
<b>Fire protection with adequate insulation material</b>			
Minimum insulation thickness for construction: insulation material   mounting wall, ceiling, floor <sup>6)</sup>			
with heat protection panel, mounting wall (non-combustible) <sup>7)</sup>	cm	6	6
with heat protection panel, mounting wall (combustible) <sup>7)</sup>	cm	12	12
Mounting wall (non-combustible)	cm	8	8
Mounting wall (combustible)	cm	18	18
Ceiling (non-combustible)	cm	8	8
Ceiling (combustible)	cm	22	22
Floor (non-combustible)	cm	0	0
<b>Minimum distances in front of the combustion chamber, glass ceramic / glass ceramic coated (GKB)</b>			
for combustible parts	cm	≥ 120 / ≥ 80	≥ 120 / ≥ 80
<b>Weight</b>			
Fireplace insert + combustion chamber inner lining chamotte/cast iron	kg	213 + 26 / 29	

## Meets requirement/limit values for:

Ulrich Brunner GmbH  
 Zellhuber Ring 17 - 18  
 D-84307 Eggenfelden  
 Phone: +49 / (0)87 21 / 7 71-0  
 info@brunner.de | www.brunner.de

Subject to technical and assortment changes. Errors excepted.

**BRUNNER**®

State: 2025-06-17

# Planning and installation - BKH Panorama 45-45-45-45 green

EU / Germany

Ecodesign / 1. BImSchV (Stufe 2)

- 1) Indications on "Nominal output" determined with steel hood  $\varnothing 180$  mm, installed catalytic converter and combustion air connection  $\varnothing 150$  mm
- 2) Information on "Storage operation" for the version with top-mount accumulator MAS.
- 3) Damper flap recommended
- 4) Air cross-sections if the specified nominal heat output is desired as the heat output.
- 5) Fire safety: Values determined with air cross-sections recorded for testing purposes; active rear ventilation, stove shell is heat emitting.  
Insulation thickness 5 cm calcium silicate board (brands: Promasil, Silka, Skamol) and 5 cm active rear ventilation with diagonally positioned air circulation and supply air openings of  $75 \text{ cm}^2$  (5x15 cm) each. For detailed design, see assembly instructions.
- 6) Fire safety: values determined in safety test with air cross-sections recorded for testing purposes; stove shell is heat emitting.  
Information on replacement insulation material with calcium silicate boards (brands: Promasil, Silka, Skamol).  
The specifications for non-combustible walls/ceilings and the structure with a closed gap (30 cm) correspond to the specifications of TROL (Germany), see assembly instructions.
- 7) Heat protection plate: accessory for BKH flat/tunnel/corner versions; factory-fitted for BKH panoramic fireplaces.