

FIREPLACE INSERTS FROM BRUNNER



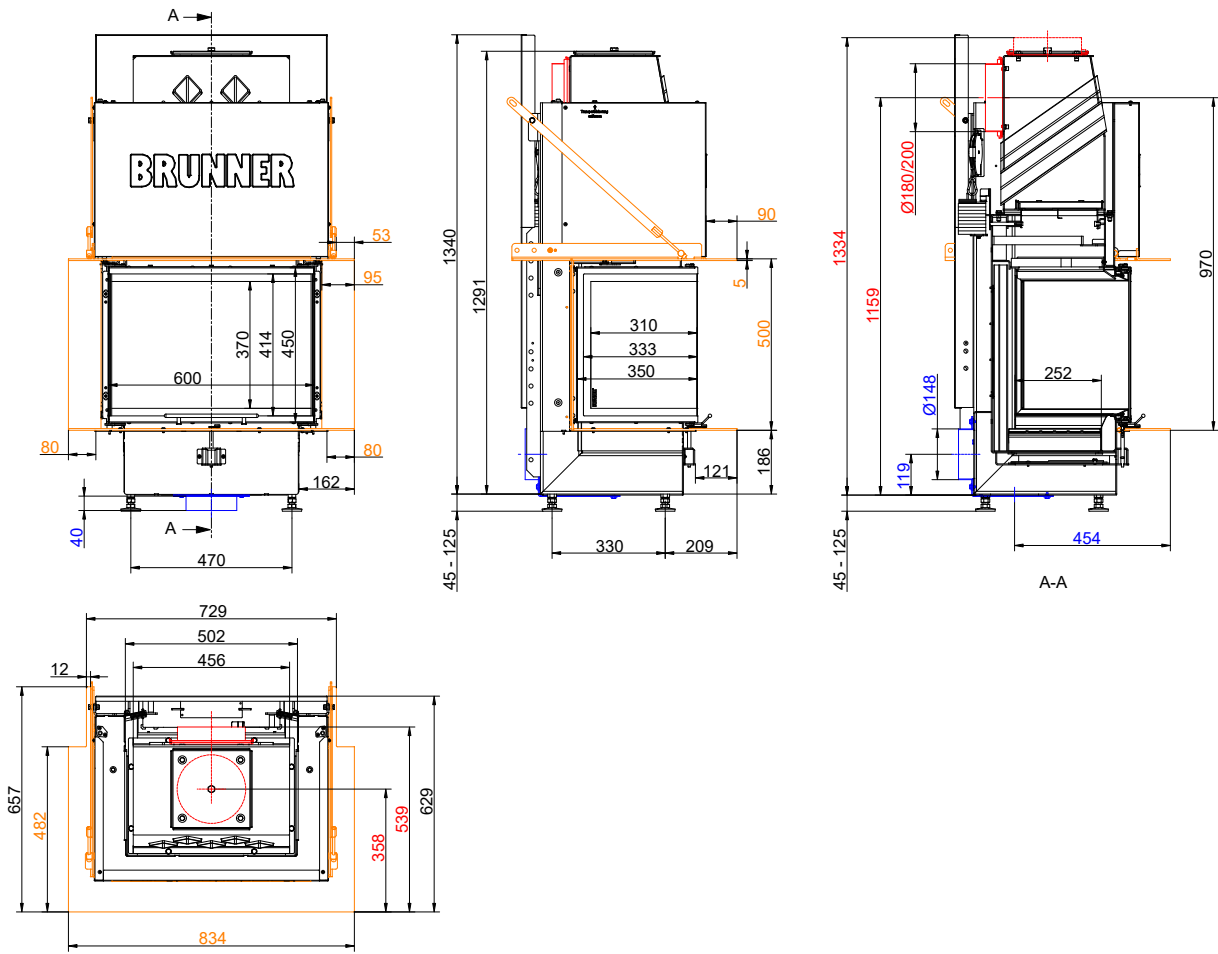
BKH Panorama 45-35-60-35 green

State: 2025-06-17



BRUNNER®

Dimension sheets - BKH Panorama 45-35-60-35 green

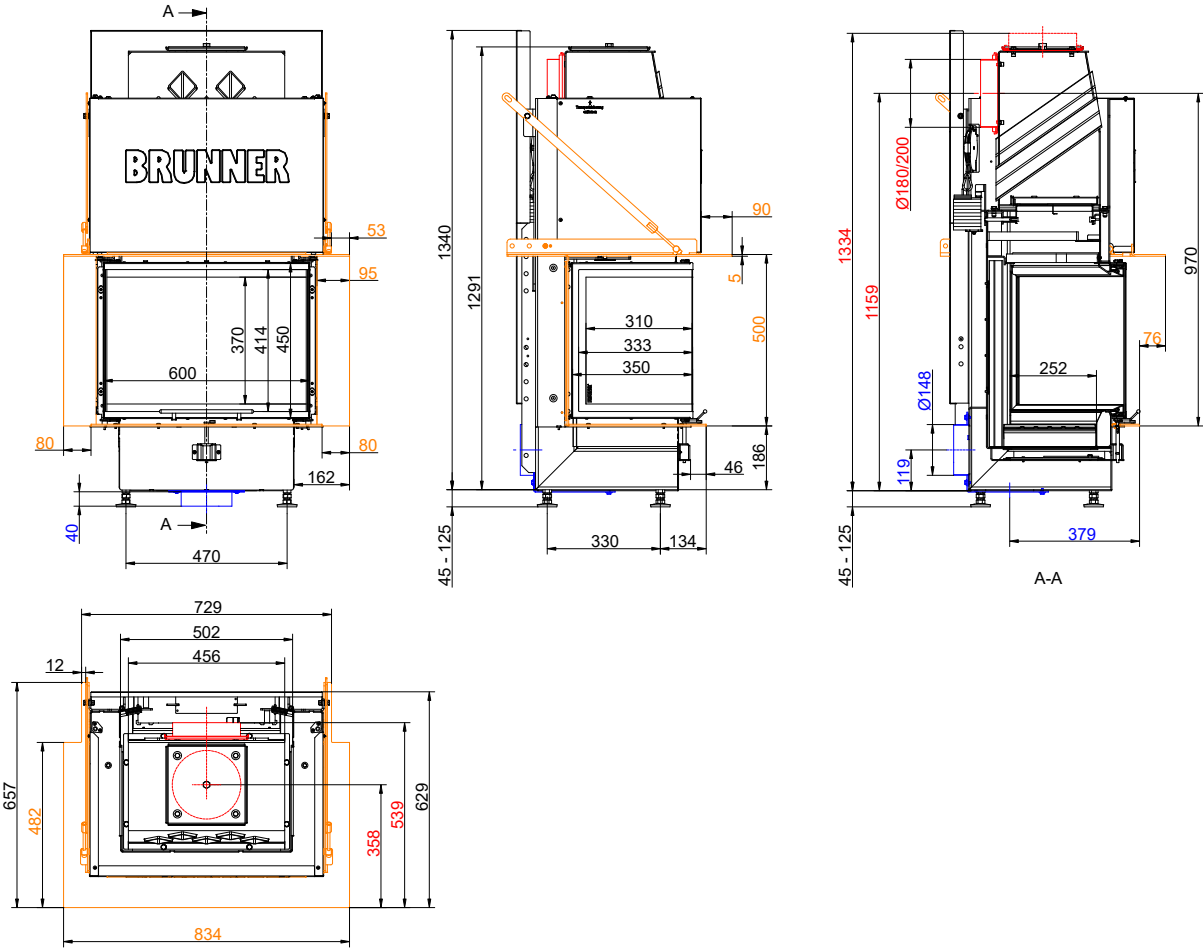


... with steel smoke hood and Feuertisch (wide frame)



... detail wide frame (schematic)

Dimension sheets - BKH Panorama 45-35-60-35 green

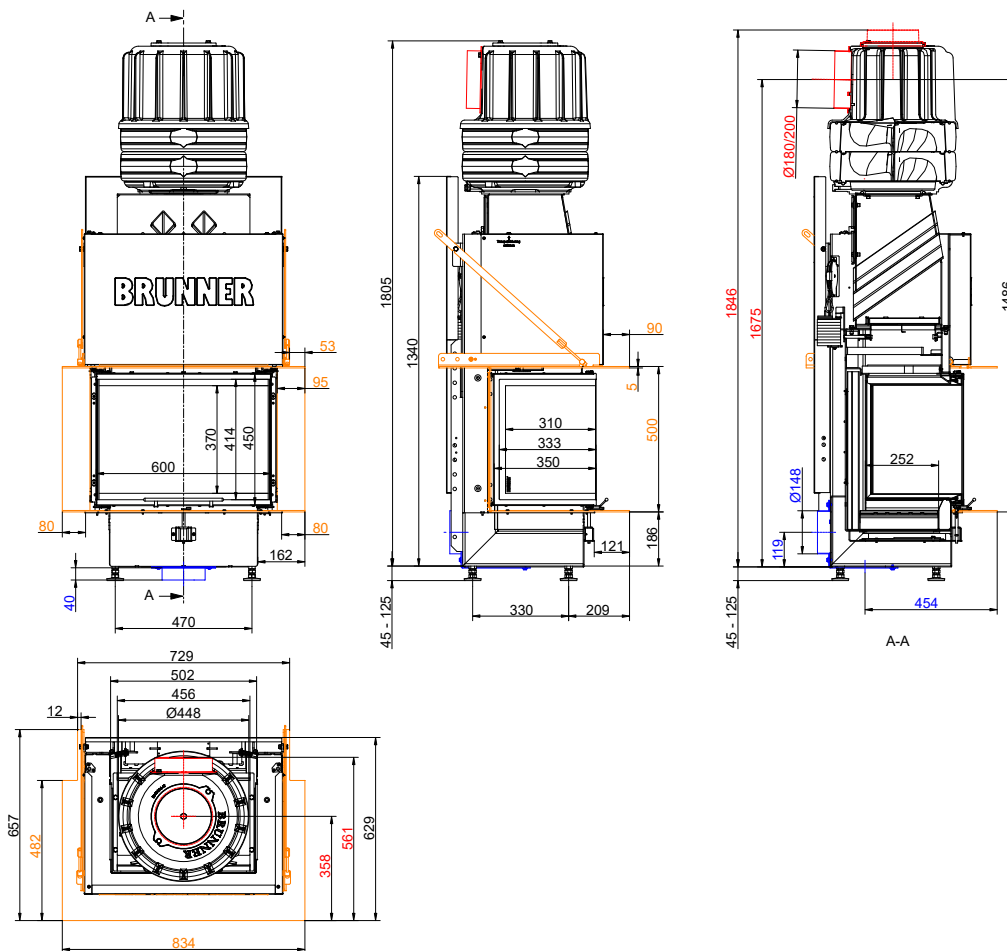


... with steel smoke hood and Mounting bracket



... detail narrow frame (schematic)

Dimension sheets - BKH Panorama 45-35-60-35 green

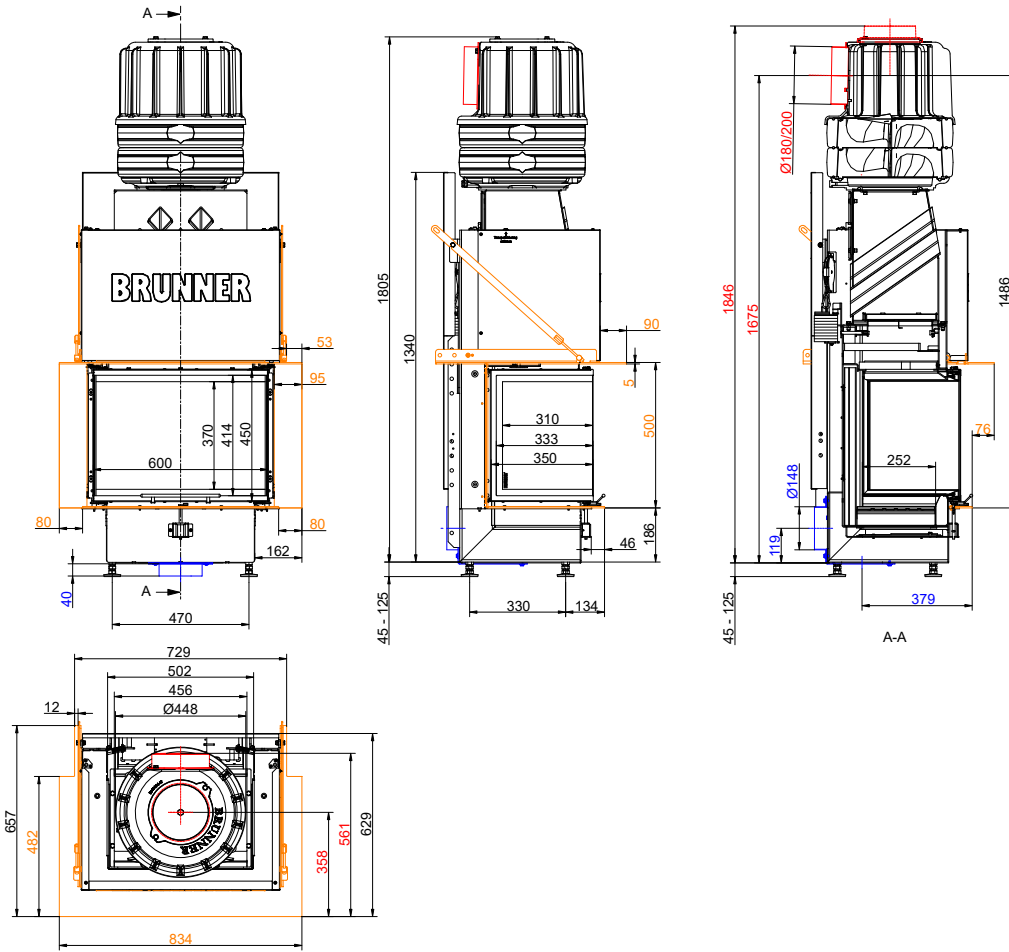


... with steel smoke hood + MAS and Feuertisch (wide frame)



... detail wide frame (schematic)

Dimension sheets - BKH Panorama 45-35-60-35 green

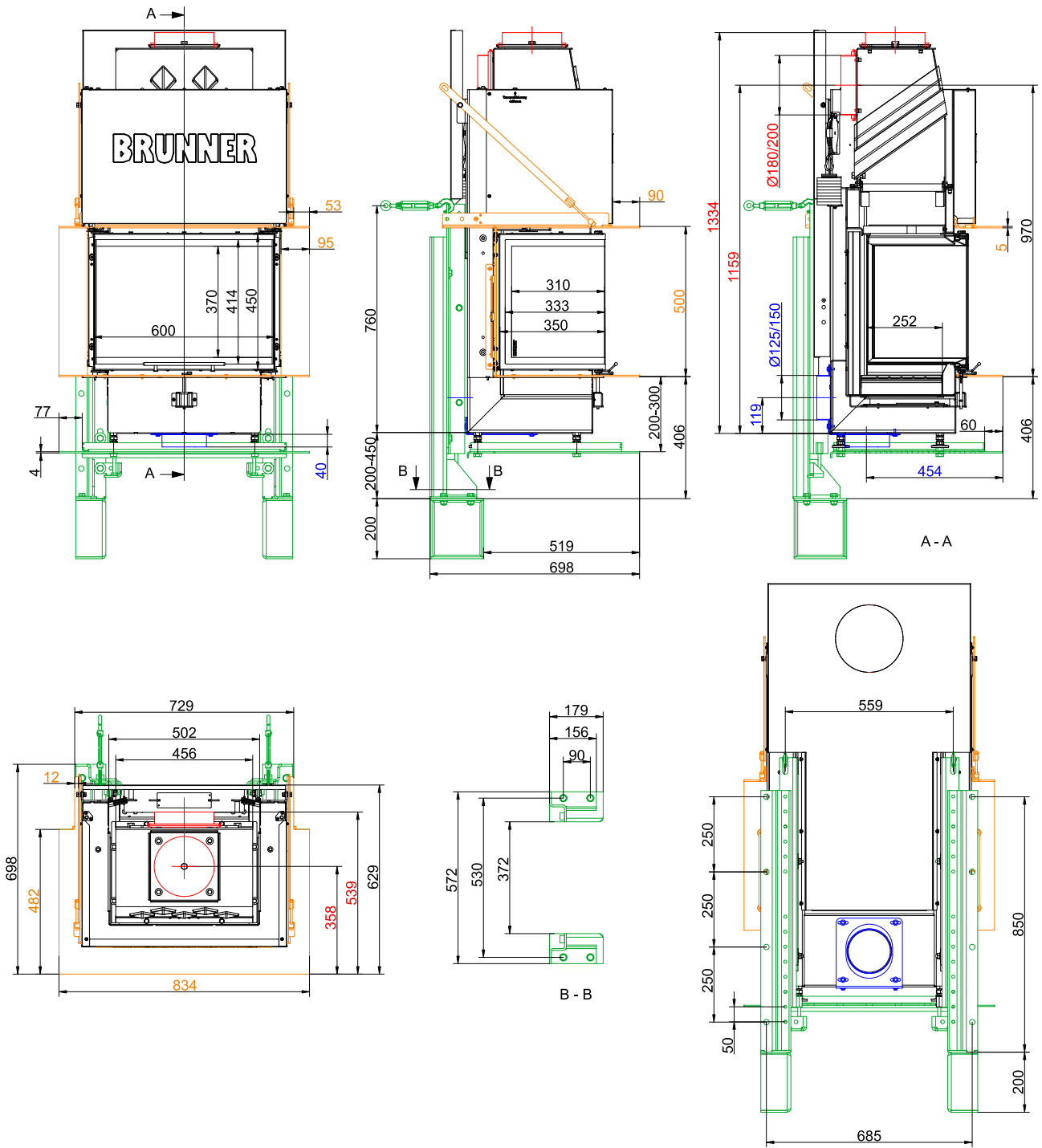


... with steel smoke hood + MAS and Mounting bracket



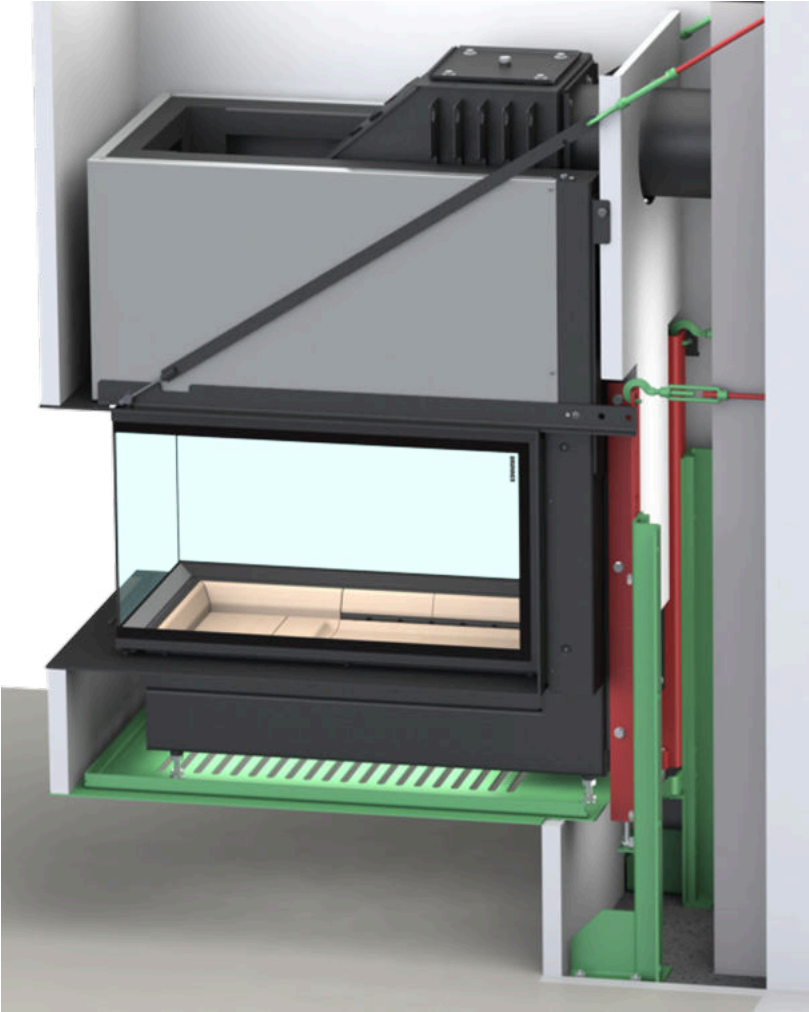
... detail narrow frame (schematic)

Dimension sheets - BKH Panorama 45-35-60-35 green



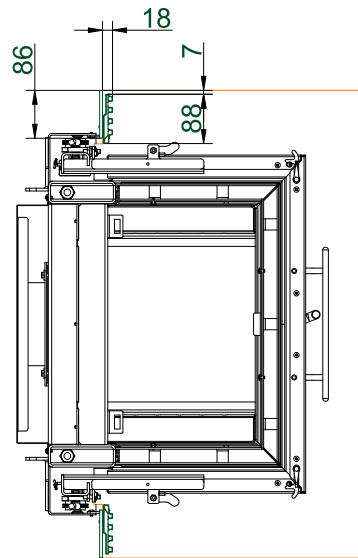
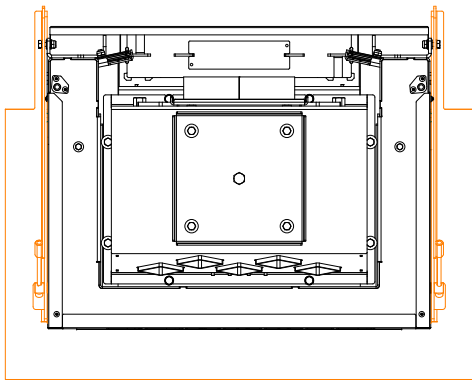
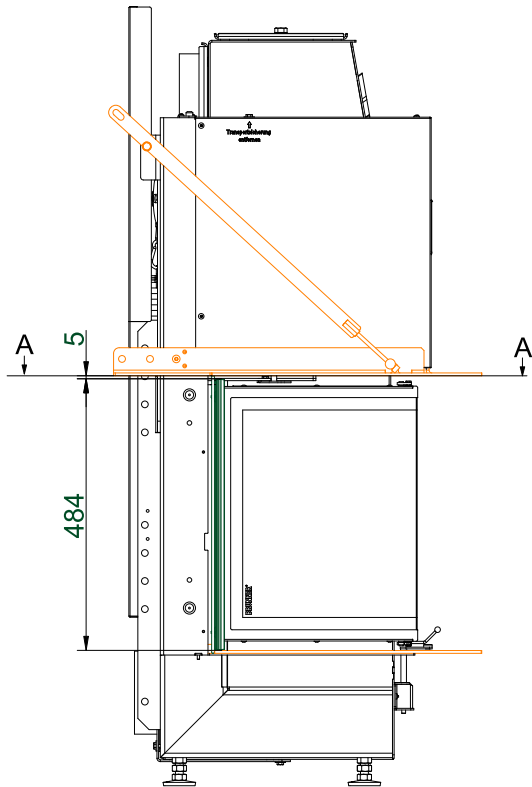
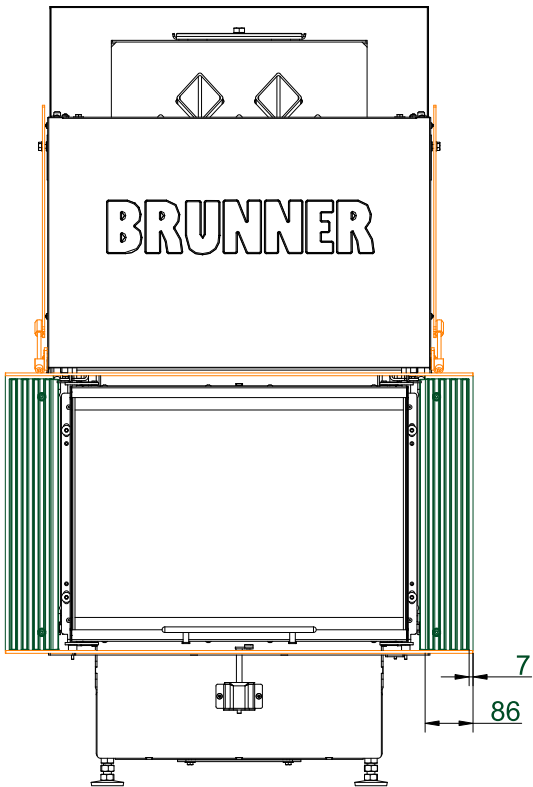
... with support bracket + raising piece for carrier unit 200 mm

Dimension sheets - BKH Panorama 45-35-60-35 green

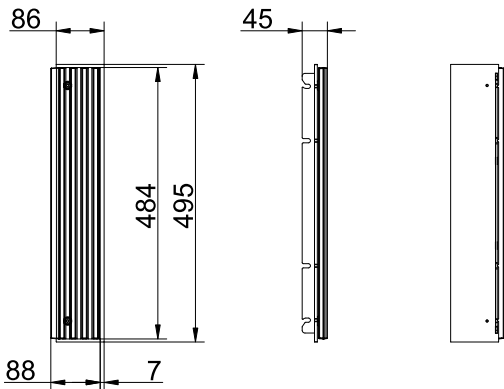


... detail of support bracket without raising piece for carrier unit (schematic)

Dimension sheets - BKH Panorama 45-35-60-35 green

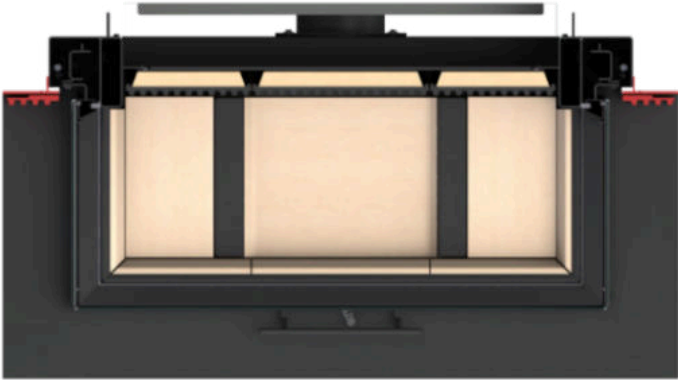
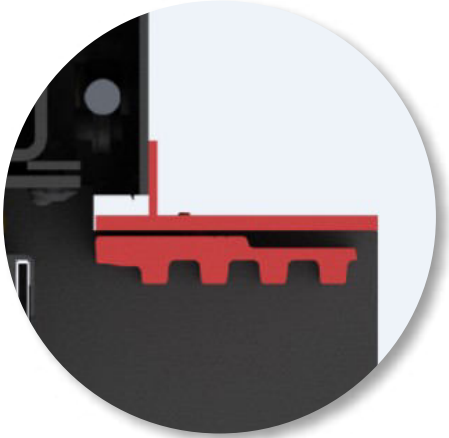


A-A



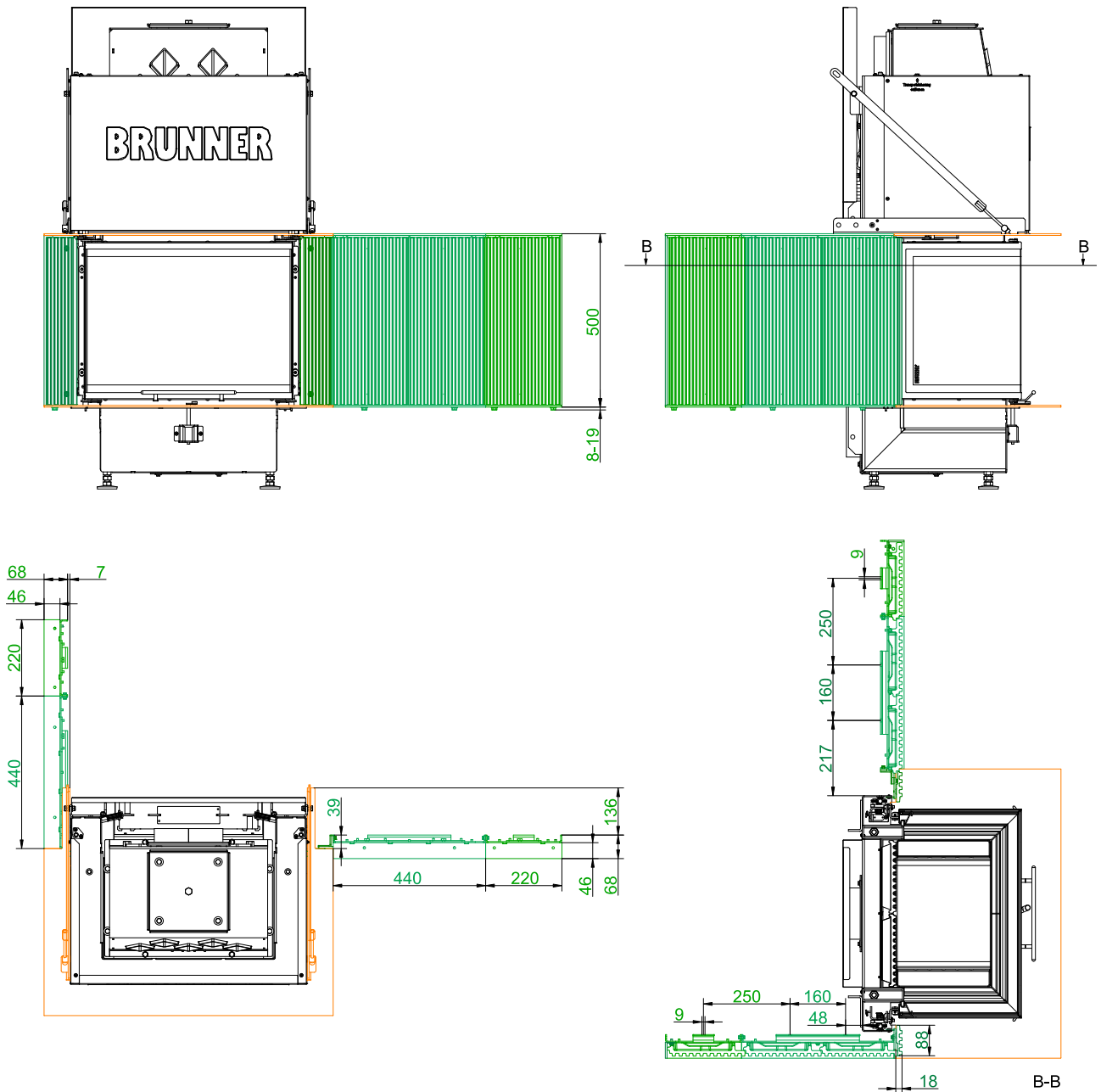
... minimum combustion chamber extension with "start-end" modules (schematic)

Dimension sheets - BKH Panorama 45-35-60-35 green



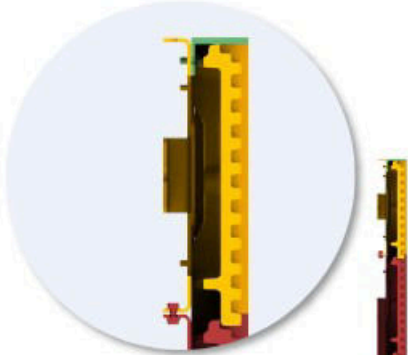
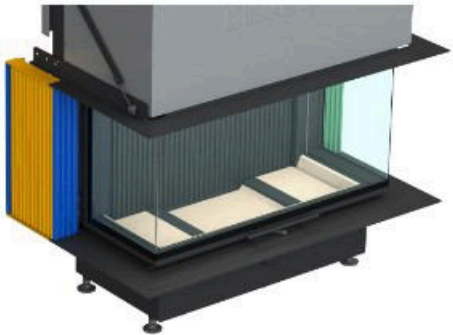
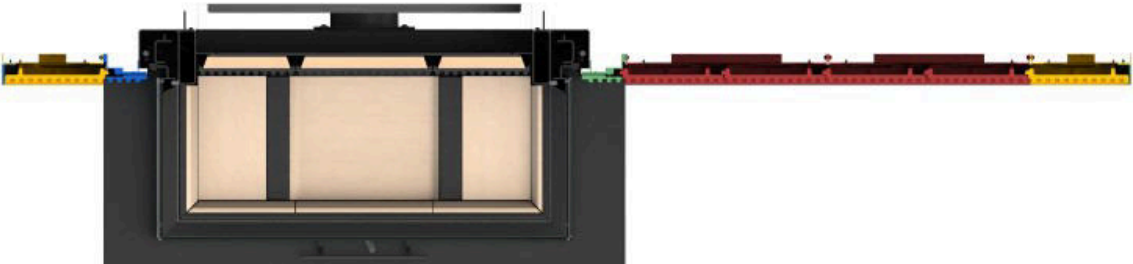
... detail (schematic) modules "start-end" (red)

Dimension sheets - BKH Panorama 45-35-60-35 green



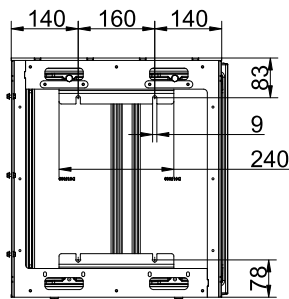
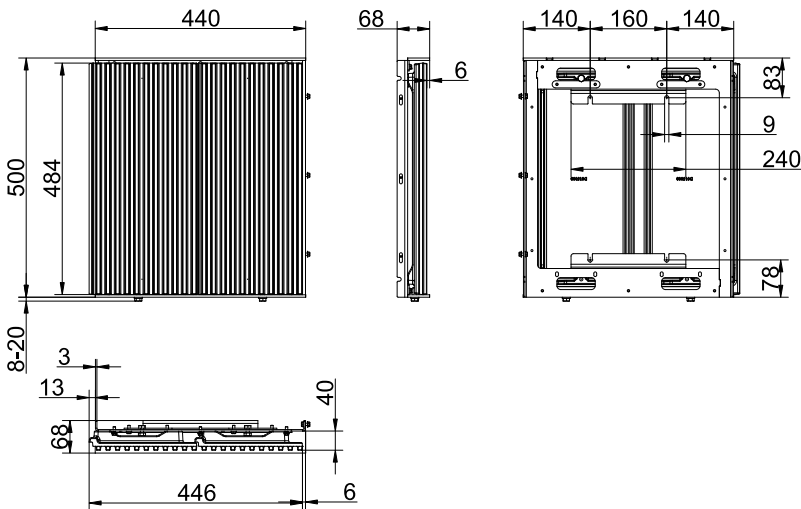
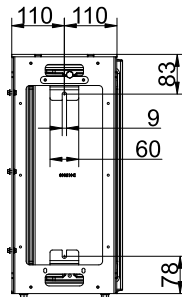
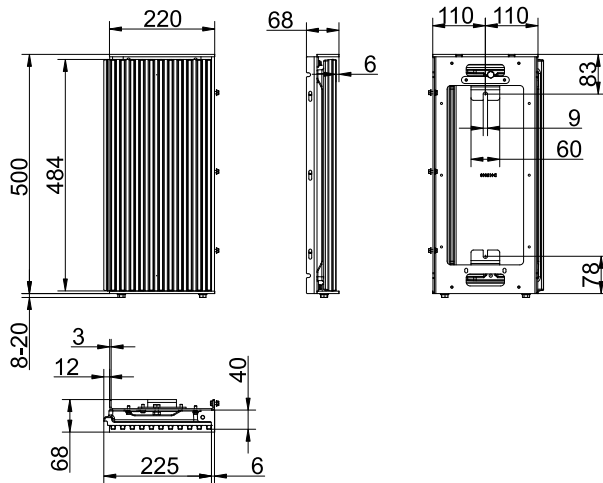
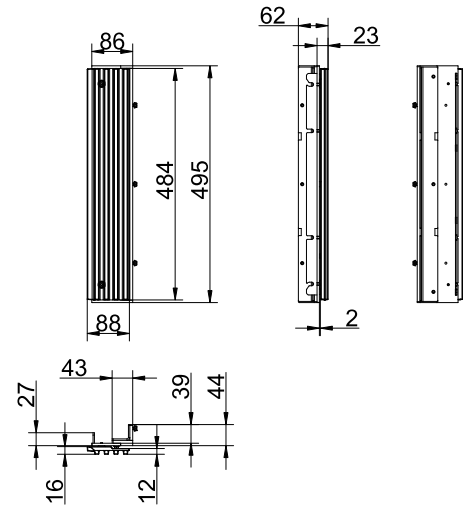
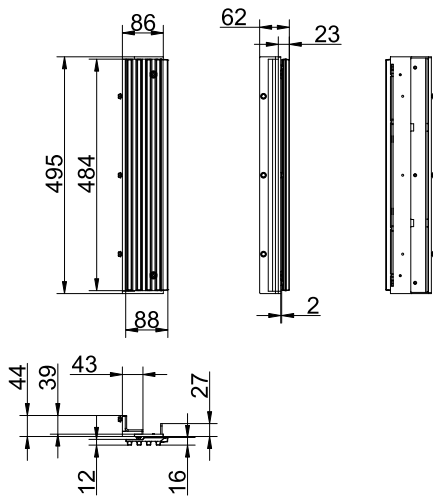
... cast iron firebox extension to the rear / to side with "Start-left" / "Start-right", "2-pieces", "1-piece" modules

Dimension sheets - BKH Panorama 45-35-60-35 green



... detail (schematic) "Start-left" (blue), "Start-right" (green), "1-piece" (yellow) and "2-piece" (red) modules

Dimension sheets - BKH Panorama 45-35-60-35 green



... Cast combustion chamber extension: "start-left", "start-right", "1-piece" and "2-piece" modules

We suggest for CAD planning Palette CAD. Permanent updated drawings: www.brunner.de
 Frames/ flue gas outlet connection/ combustion air supply connection/ front variants/ support bearing are marked in color.

Planning and installation - BKH Panorama 45-35-60-35 green

Tested according to		EN 13229 W	EN 13229 WA
Values measured at		Rated power ¹⁾	Storage operation ²⁾
Data for functional demonstration			
Rated heat power	kW	10	-
Fire wood volume	kg/h	3.3	4.5
Combustion performance	kW	12	22
Flue gas mass flow	g/s	12	19
Flue gas temperature after:			
steel smoke hood	°C	210	260
2 x accumulation rings incl. MAS casted cover ³⁾	°C	-	180
Necessary supply pressure	Pa	12	12
Fuel amount	kg	2.5	5.0
Combustion air consumption	m ³ /h	32	48
Combustion air connection Ø	mm	125 / 150	125 / 150
Heat distribution			
Insert / reheating surface	%	25 / 30	25 / 30
glass ceramic / glass ceramic coated (GKB)	%	45 / 35	45 / 35
Cross-section of gratings ⁴⁾			
exhaust warm air	cm ²	700	700
Recirculation air	cm ²	700	700
Minimal oven surface for closed construction type			
Heat dissipating surface	m ²	4.0	4.0
Minimal distances of the fireplace			
Heat protection panel for cladding, insulation layer	cm	3	3
to cladding, insulation layer	cm	5	5
to the floor (non-combustible)	cm	3	3
Fire protection with active rear ventilation, intermediate space			
Minimum insulation thickness for construction : insulation material 5 cm rear active ventilation wall ⁵⁾			
for mounting wall (combustible/non-combustible)	cm	5	5
Minimum insulation thickness for construction: insulation material 30 cm closed gap ceiling ⁶⁾			
for ceiling (combustible)	cm	10	10
Fire protection with adequate insulation material			
Minimum insulation thickness for construction: insulation material mounting wall, ceiling, floor ⁶⁾			
with heat protection panel, mounting wall (non-combustible) ⁷⁾	cm	6	6
with heat protection panel, mounting wall (combustible) ⁷⁾	cm	12	12
Mounting wall (non-combustible)	cm	8	8
Mounting wall (combustible)	cm	18	18
Ceiling (non-combustible)	cm	8	8
Ceiling (combustible)	cm	22	22
Floor (non-combustible)	cm	0	0
Minimum distances in front of the combustion chamber, glass ceramic / glass ceramic coated (GKB)			
for combustible parts	cm	≥ 120 / ≥ 80	≥ 120 / ≥ 80
Weight			
Fireplace insert + combustion chamber inner lining chamotte/cast iron	kg	198 + 39 / 45	

Meets requirement/limit values for:

Ulrich Brunner GmbH
 Zellhuber Ring 17 - 18
 D-84307 Eggenfelden
 Phone: +49 / (0)87 21 / 7 71-0
 info@brunner.de | www.brunner.de

Subject to technical and assortment changes. Errors excepted.

BRUNNER®

State: 2025-06-17

Planning and installation - BKH Panorama 45-35-60-35 green

EU / Germany

Ecodesign / 1. BImSchV (Stufe 2)

- 1) Indications on "Nominal output" determined with steel hood $\varnothing 180$ mm, installed catalytic converter and combustion air connection $\varnothing 150$ mm
- 2) Information on "Storage operation" for the version with top-mount accumulator MAS.
- 3) Damper flap recommended
- 4) Air cross-sections if the specified nominal heat output is desired as the heat output.
- 5) Fire safety: Values determined with air cross-sections recorded for testing purposes; active rear ventilation, stove shell is heat emitting.
Insulation thickness 5 cm calcium silicate board (brands: Promasil, Silka, Skamol) and 5 cm active rear ventilation with diagonally positioned air circulation and supply air openings of 75 cm^2 (5x15 cm) each. For detailed design, see assembly instructions.
- 6) Fire safety: values determined in safety test with air cross-sections recorded for testing purposes; stove shell is heat emitting.
Information on replacement insulation material with calcium silicate boards (brands: Promasil, Silka, Skamol).
The specifications for non-combustible walls/ceilings and the structure with a closed gap (30 cm) correspond to the specifications of TROL (Germany), see assembly instructions.
- 7) Heat protection plate: accessory for BKH flat/tunnel/corner versions; factory-fitted for BKH panoramic fireplaces.