

# Installation Guide

Urfeuer 50/110

©2023

**BRUNNER**<sup>®</sup>  
*made in germany.*

# CONTENTS

<b>1</b>	<b>Basic information.....</b>	<b>2</b>
<b>2</b>	<b>Product description.....</b>	<b>3</b>
<b>3</b>	<b>Precautionary statements.....</b>	<b>4</b>
<b>4</b>	<b>Delivery contents.....</b>	<b>5</b>
<b>5</b>	<b>Assemblies.....</b>	<b>6</b>
<b>6</b>	<b>Assembly.....</b>	<b>13</b>
	6.1 Setting up.....	13
	6.2 Installation of deflector plates.....	16
	6.3 Preparation of combustion chamber.....	18
	6.4 Assembly of combustion chamber.....	21
	6.5 Setting the mounting frame.....	26
	6.6 Installation of the ember retaining bar.....	27
<b>7</b>	<b>Drawings and technical data.....</b>	<b>28</b>

## 1 BASIC INFORMATION



All instructions delivered with products must be observed. We do not accept any warranty claim or liability for damage resulting from failure to observe these installation instructions!

Improper installation can cause injury and material damage!

The installation has to be carried out by an authorized stove fitter.

All installed “Urfeuers” have to be approved on site by the local chimney sweeper and the definition of the product line is the following:

“Urfeuers” are:

- decorative wood fires
- for occasionally use
- with no heating function
- which can only be used as an open fireplace

As producer, BRUNNER provides manufacturer’s data to insure fire security and the right dimensions of the chimney system. With this information, the responsible regional chimney sweepers are able to approve and permit the installation of an Urfeuer.

Before installing the fireplace, consult the district chimney sweep master!

The floor space of the room must have a suitable structure and sufficient dimensions to ensure proper functioning of the fireplace. Please note, that other installation and assembly instructions are included in other packaging units!

Dimensioning of downstream heat accumulator must be according to valid stove-setting rules. During installation of the fireplace, all dimensions and minimal clearances of the fireplace casing must be held as specified by the manufacturer.

All binding national or EU standards and local regulations for the installation of fireplaces must be observed. All valid stove fitting rules and regulations of local construction law must be observed and followed. Please follow the relevant regulations of your country.

When these instructions are followed and all works are done properly, this will ensure a safe, energy-saving and environmentally friendly operation of the stove. Pictures shown are not to be considered as complete representations of any kind.

Subject to technical and assortment changes.

Please notify your supplier of any damage which might have occurred during transport. Please keep these instructions.

Please also take note of the online product documentation provided by:



[General instructions of the Brunner products installation for the stove construction.](#)

([https://www.brunner.de/produktdownloads/kachelofen-kamine/allgemeine-hinweise-fuer-den-aufbau\\_de.pdf](https://www.brunner.de/produktdownloads/kachelofen-kamine/allgemeine-hinweise-fuer-den-aufbau_de.pdf)) laden können.

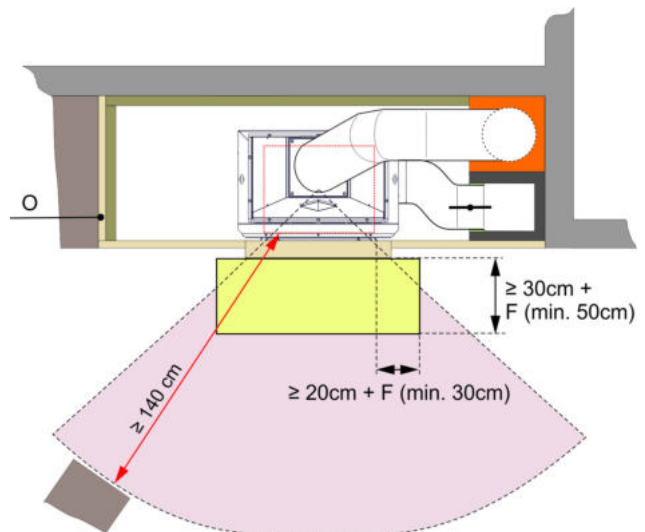


Replacement for the chapter 'In the radiant area of the fireplace insert' from 'General construction information' of the Brunner products ment for the stove fitters':

### In the radiation area of the Urfeuer fireplace

Parts made of flammable building materials or with combustible components (48) also built-in furniture (49) must have in front of the combustion chamber opening, upwards and from the sides at least a distance of **140 cm**. If these parts are shielded by a double-sided ventilated radiation protection, a distance of **70 cm** is sufficient.

O = not active surface; F = height between floor and combustion chamber



## 2 PRODUCT DESCRIPTION

The Urfeuer fireplaces can be installed together with the optional combustion air intake from outside the building. In this case, the combustion air is supplied via a separate connecting piece. The external air supply must include a tight flap or valve for closing. There are four possible variants of this flap or valve:

1. Single manual flap 250mm, part no. N003055-01
2. Single motorized flap 250mm, part no. N003055-02
3. Double manual flap 250mm, part no. N003085-01
4. Double motorized flap 250mm, part no. N003085-02

All Urfeuer fireplaces are designed for direct chimney connection and provided with a spark mesh, a protection against glowing embers and an integrated shut-off flap.

### 3 PRECAUTIONARY STATEMENTS



#### **Initial operation**

The paint coat of the stove is not completely hardened before reaching normal operating temperature for the first time. Smoke emissions and unpleasant odours cannot be excluded. Therefore, provide sufficient ventilation of the room when lighting the fire. Open doors and windows, use an electric fan if necessary, to ensure faster air exchange within the room. During first operation try to avoid staying in this room for too long, if possible.



#### **Combustion air supply**

Structural means for combustion air supply cannot be modified. Functionality must be ensured by regular checks.



#### **Allowable fuels**

Please use only fuels of quality and quantity described in this manual. Other fuels are not allowed.



#### **Risk of burns**

The external surfaces are getting hot. Do not touch - risk of burns! Remember to warn your children about this. Basically, children should stay away from a burning stove.

For operation use always the attached operating tool!

#### **Fire hazard**



#### **Distance to furnishings**

Objects made of flammable materials may not be placed on external casing surfaces of the fireplace.

Between the surfaces of the stove casings from ceramic tiles or plaster and flammable materials, a minimal distance of **5 cm** must be kept. This distance must allow for air circulation. A much greater distance must be kept from fireplace surfaces made of metal.

**Prohibited fuels**

Never use petrol or alcohol as aids for lighting fire!

Not suitable fuel types, qualities or amounts can lead to damages.

**Removing ashes**

Only cold ashes should be removed from the fireplace; store the ashes in a fire-resistant container for at least 24 hours before disposal. Glowing embers can be found in ashes for a very long time.

**Chimney fire**

In case of fire call the fire brigade immediately!

In the case of chimney fire move all flammable parts and elements away from the chimney. Watch out for flying sparks.

**Cleaning and maintenance**

The functionality and the safe operation of the fireplace depend on regular cleaning and proper maintenance.

**Spilling out embers**

To prevent spilling out of embers, use the provided protection strip when the Urfeuer fireplace is in use.

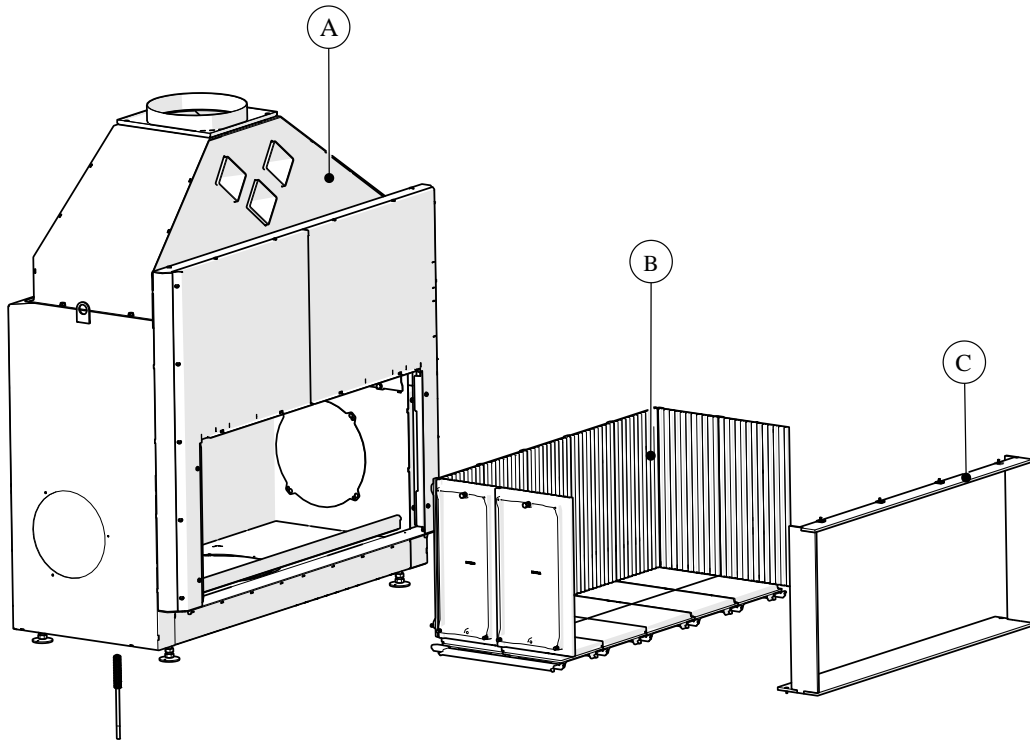
The fireplace can be used only under supervision!

## 4 DELIVERY CONTENTS

The basic device is delivered preassembled on a pallet. The combustion chamber linings are attached as a separate packing unit. Other components (combustion chamber extension plates, mounting frame, etc.) are delivered in further packing units.

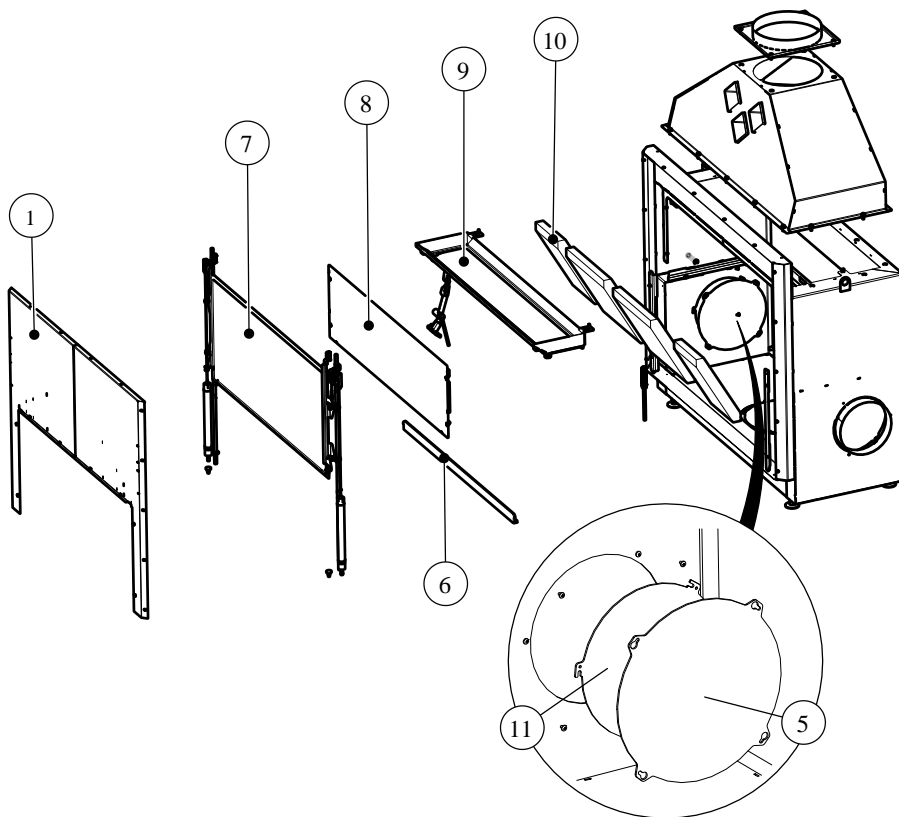
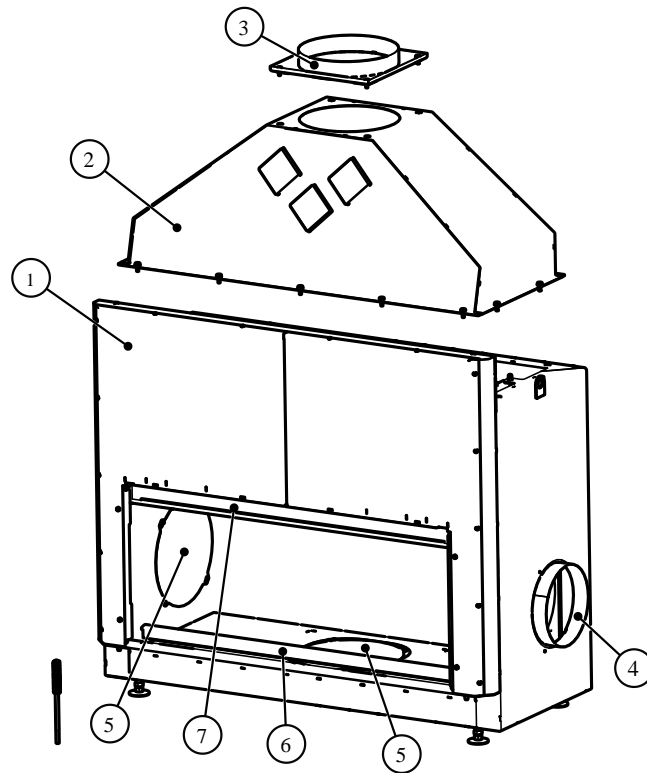
## 5 ASSEMBLIES

### Overview



A	Body	B	Combustion chamber lining	C	Mounting frame
---	------	---	---------------------------	---	----------------

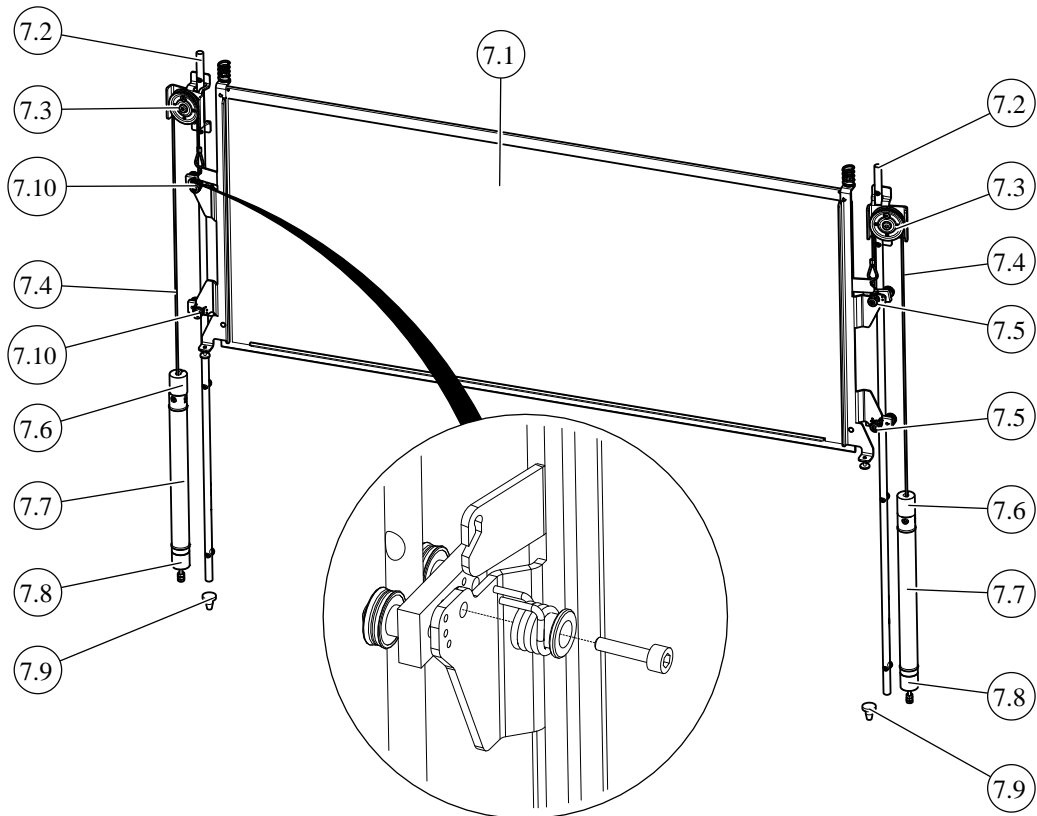
## Assembly of the body



Pos.	Item	Designation	Pcs.	Pos.	Item	Designation	Pcs.
1	D022048	Front plate	1	2	D022025	Smoke collector	1

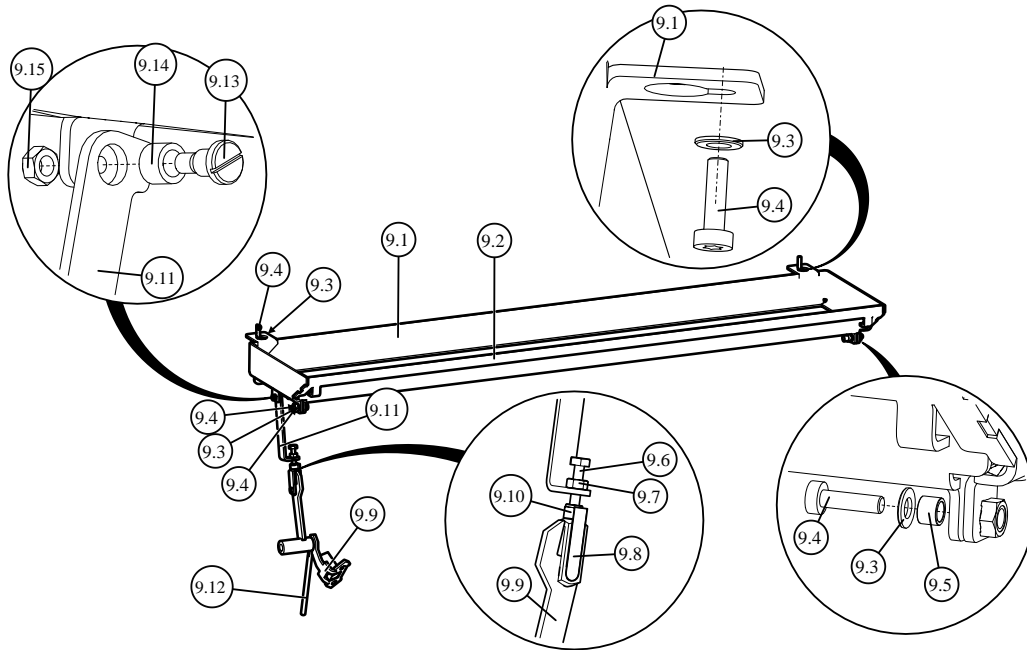
Pos.	Item	Designation	Pcs.	Pos.	Item	Designation	Pcs.
3	I008223	Smoke pipe 300	1	4	D015120	Air intake nozzle d250	1
5	D015097	Blind cover 280 for air connection option	3	6	D022045	Ember retainer	1
7	D022040	Spark protection	1	8	D022037	Cover plate mechanic	1
9	D022012	Shut-off flap	1	10	D022043	Deflector	1

**Assembly of the spark protection**



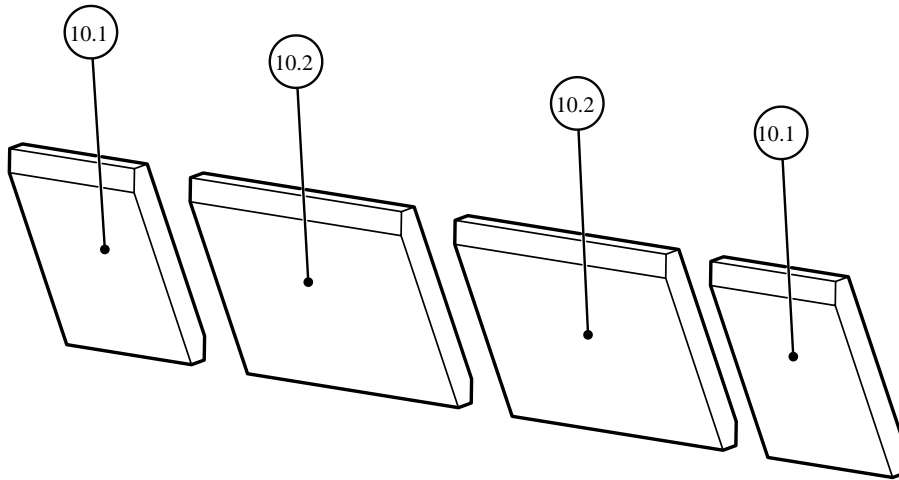
Pos.	Item.	Designation	Pcs.	Pos.	Item.	Designation	Pcs.
7.1	D022040	Spark mesh bend	1	7.2	D015258	Guide roller spark protection	2
7.3	I047124	Pulley plates D60	2	7.4	2000467	Cable counterweights spark protection	2
7.5	I003247	Guide roller bearing right side	2	7.6	D022074	Counterweight top	2
7.7	D015259	Counterweight spark protection	2	7.8	D019041	Counterweight bottom	2
7.9	I001149	Bottom door stop	2	7.10	I003212	Guide roller bearing left side	2

**Assembly of the shut-off flap**



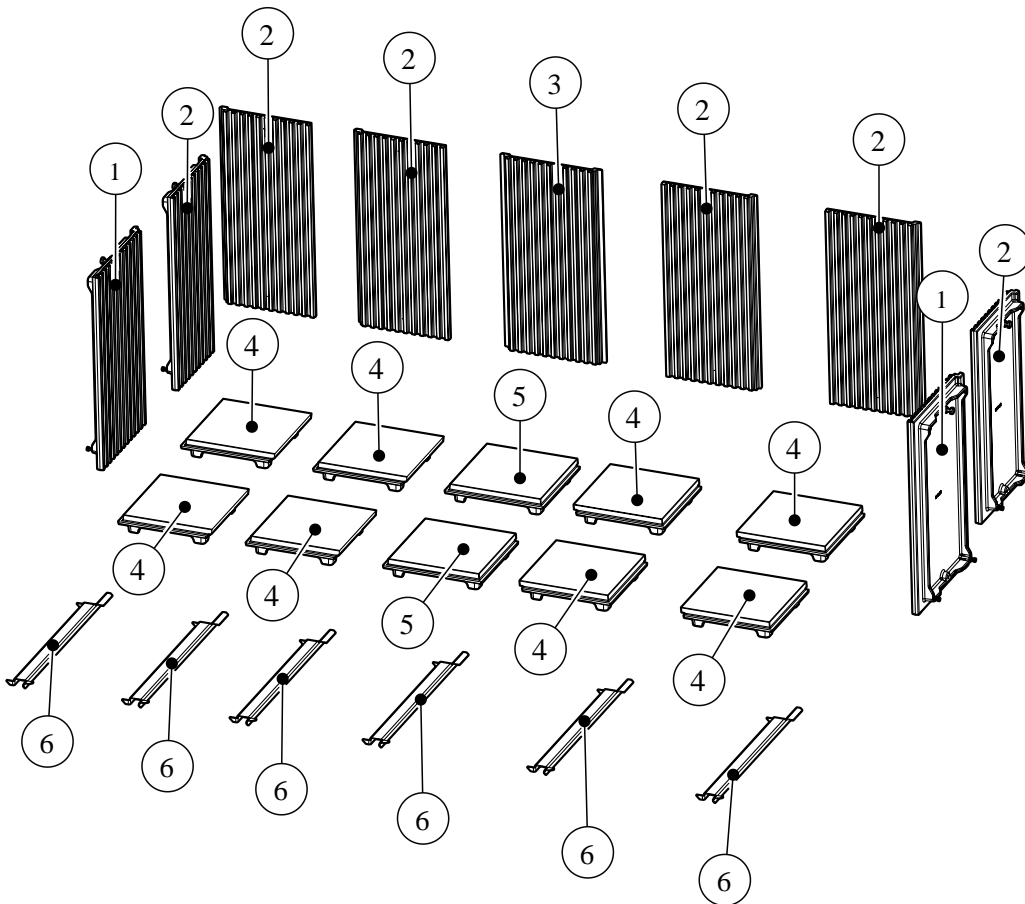
Pos.	Item	Designation	Pcs.	Pos.	Item	Designation	Pcs.
9.1	D022033	Frame flap	1	9.2	D022036	Exhaust gas flap	1
9.3	00605	Shim DIN125-D8	4	9.4	800176	Cylinder screw Torx DIN7984 M8x25	4
9.5	800534	DIN 1850 - J8x11x8-T-plain bearing bush	2	9.6	800257	DIN933 M8x40-T-hexagon screw	1
9.7	00606	DIN934 M8-T-hexagon nut	1	9.8	800453	DIN71752 G8x32-T-fork head	1
9.9	D023040	Reversing lever shut-off flap	1	9.10	900826	FKBR 8x32-T-spring clip with groove	1
9.11	D015115	Shut-off flap linkage, part 1	1	9.12	D023042	Signal pin	1
9.13	800423	DIN923 M6x8-T-flat-head screw	1	9.14	800315	AMS 100.064-T-plain bearing bush	1
9.15	800279	DIN934 M6-T-hexagon nut	1				

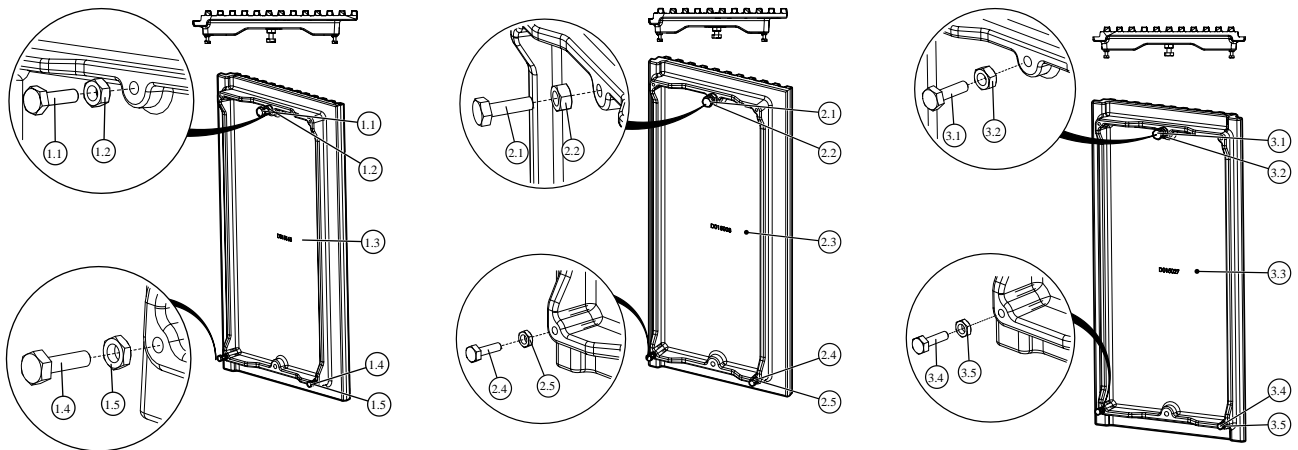
**Assembly of the deflector**



Pos.	Item	Designation	Pcs.	Pos.	Item	Designation	Pcs.
10.1	D019068	Deflector middle	2	10.2	D015082	Deflector	2

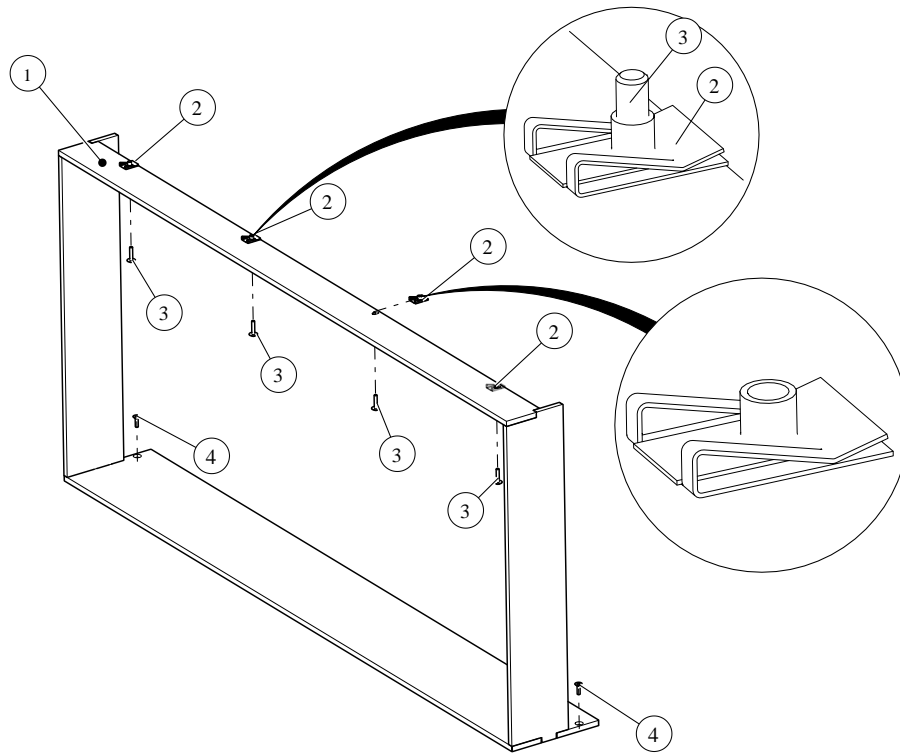
**Assembly of the inner lining in the combustion chamber**





Pos	Item	Designation	Pcs.	Pos.	Item	Designation	Pcs.
1	D015166	Fire protection plate 3	2	1.1	800387	Hexagon screw M8x25 VA	1
1.2	800386	Hexagon nut M8 VA	1	1.3	D015165	Combustion chamber wall lining 3	1
1.4	800299	Hexagon nut M5x16 DIN 933	2	1.5	800002	Hexagon nut M5 DIN 439	2
2	D015102	Fire protection plate 2	6	2.1	800387	Hexagon screw M8x25 VA	1
2.2	800386	Hexagon nut M8 VA	1	2.3	D015003	Combustion chamber wall lining 2	1
2.4	800299	Hexagon screw M5x16 DIN 933	2	2.5	800002	Hexagon nut M5 DIN 439	2
3	D015101	Fire protection plate 1	1	3.1	800387	Hexagon screw M8x25 VA	1
3.2	800386	Hexagon nut M8 VA	1	3.3	D015027	Combustion chamber wall lining 1	1
3.4	800299	Hexagon nut M5x16 DIN 933	2	3.5	800002	Hexagon nut M5 DIN 439	2
4	D015091	Cast iron fireplace bottom plate 2	8	5	D015005	Cast iron fireplace bottom plate 1	2
6	D015018	Fireplace bottom spacer	6				

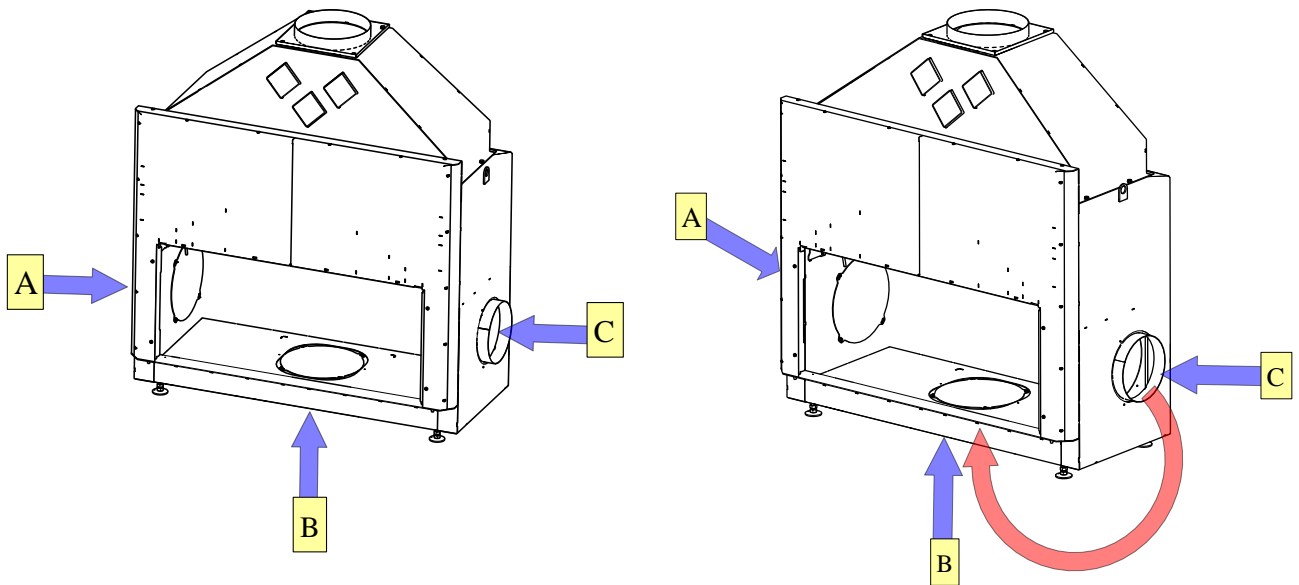
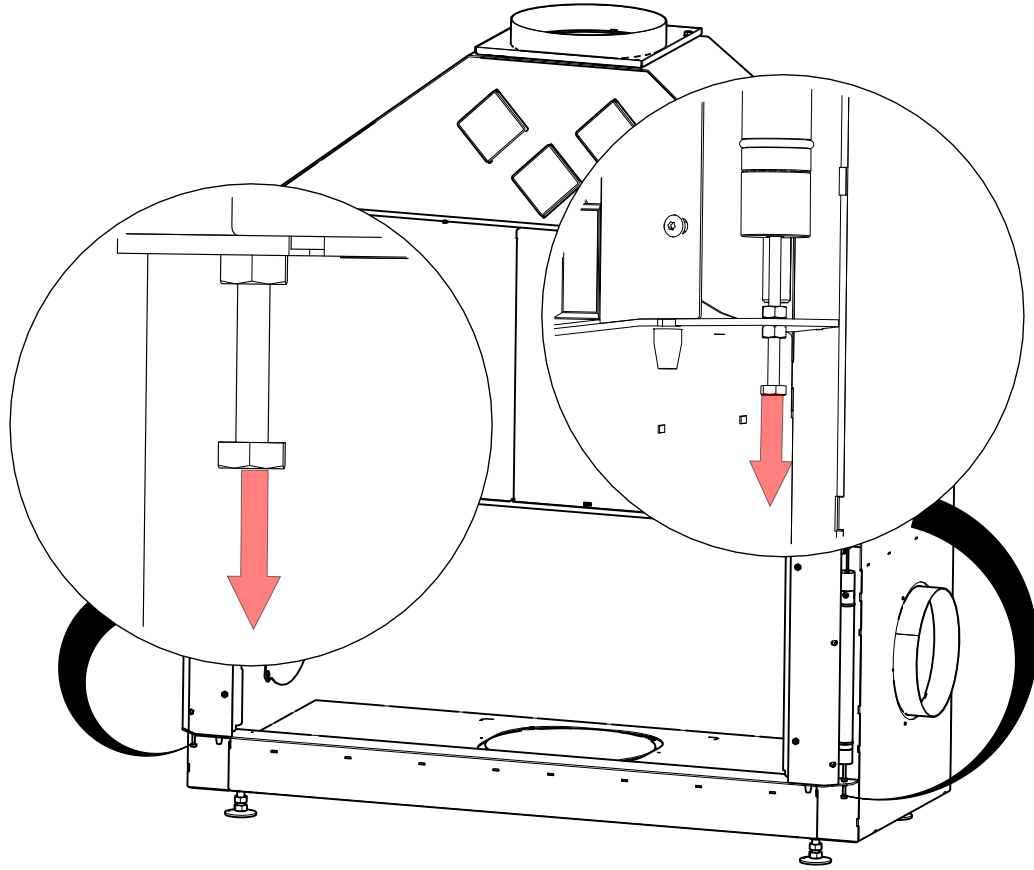
**Assembly of the mounting frame**

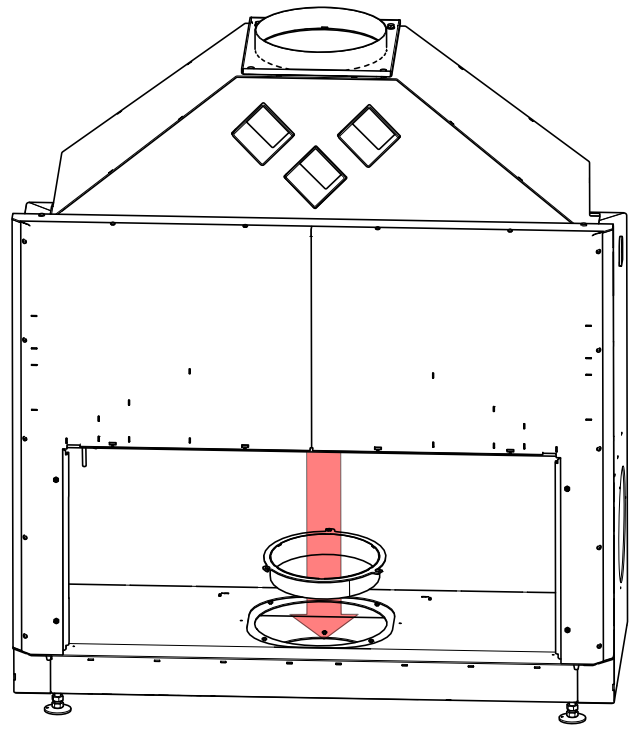
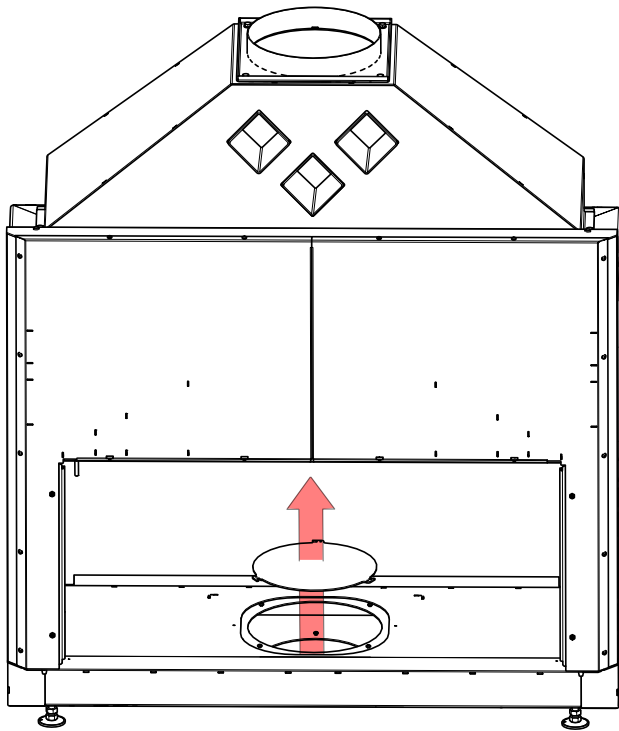
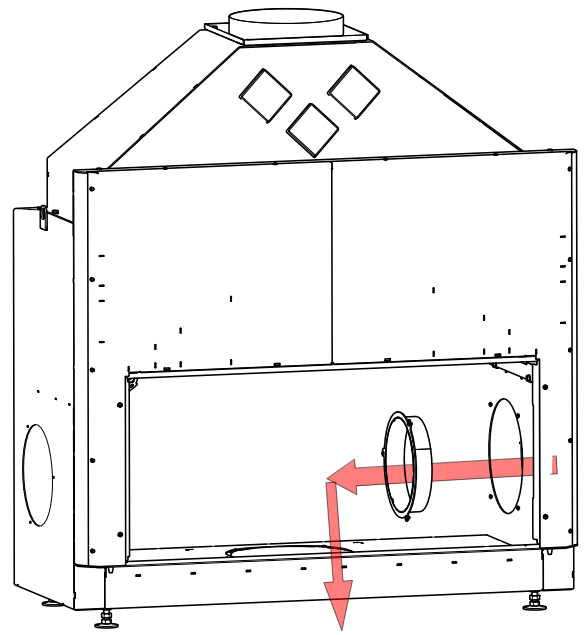
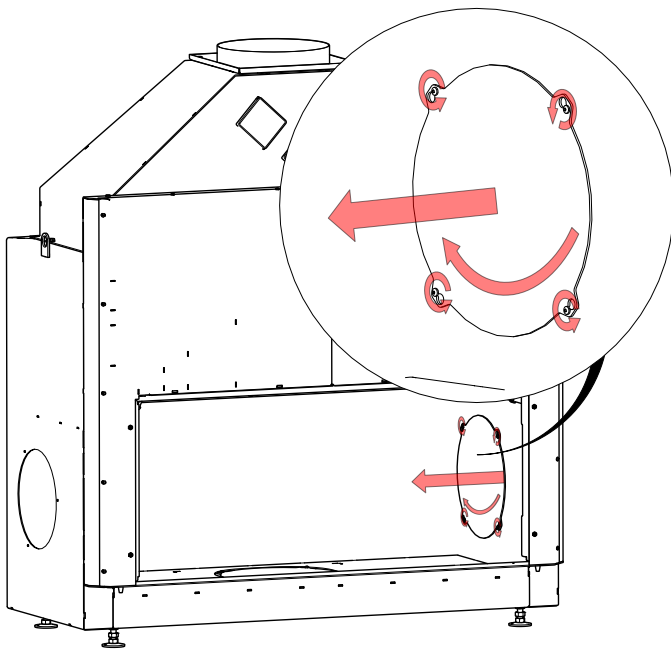


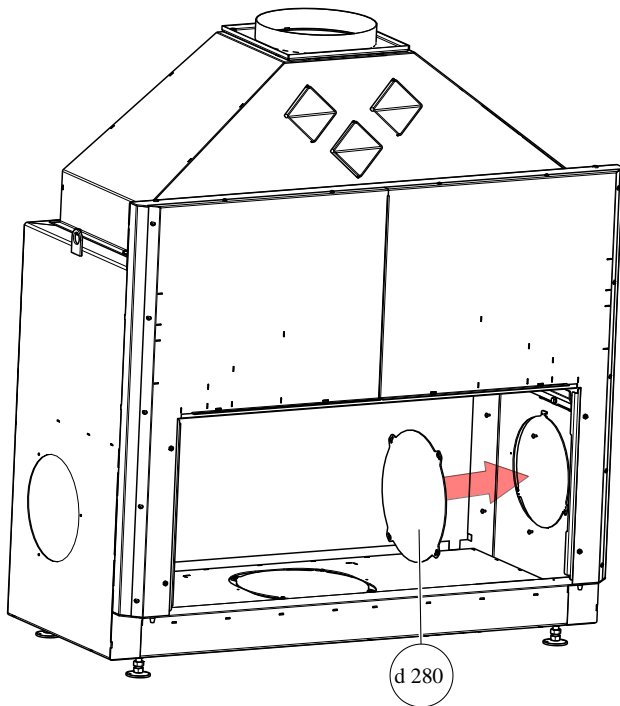
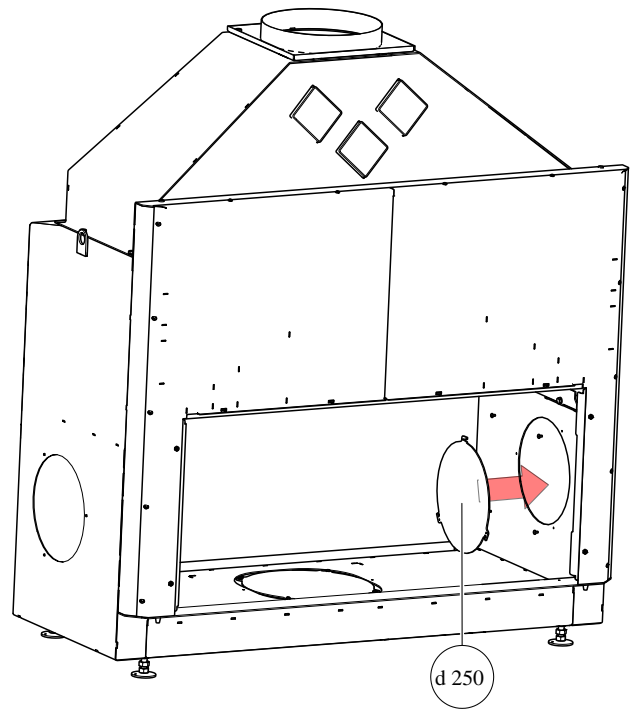
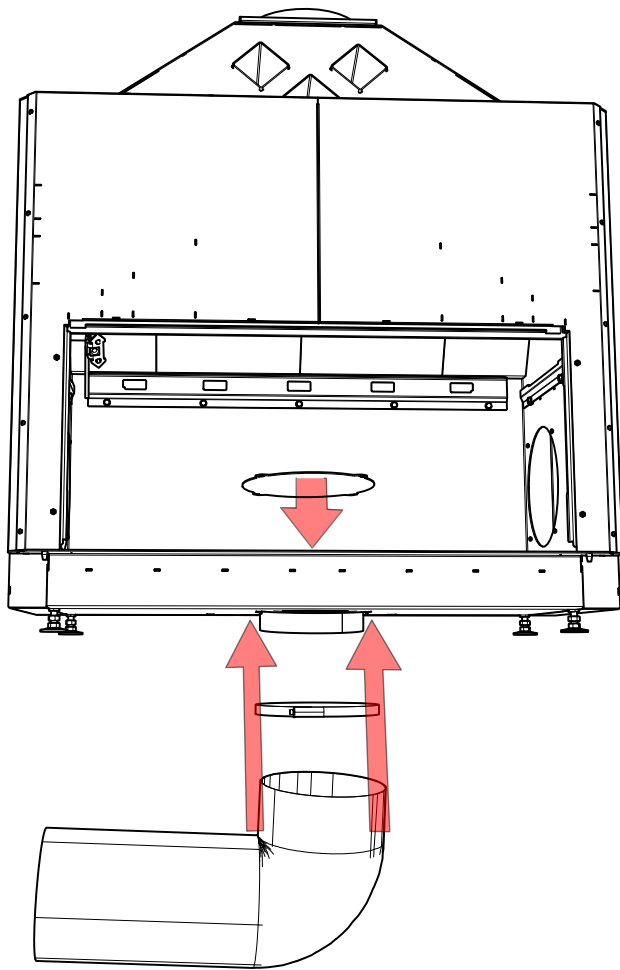
Pos.	Item	Designation	Pcs.	Pos.	Item	Designation	Pcs.
1	D022030-02	Mounting frame welded	1	2	00947	Sheet metal nut M5	4
3	800529	Lens flange screw Torx	4	4	01836	Countersunk screw TX 25	2

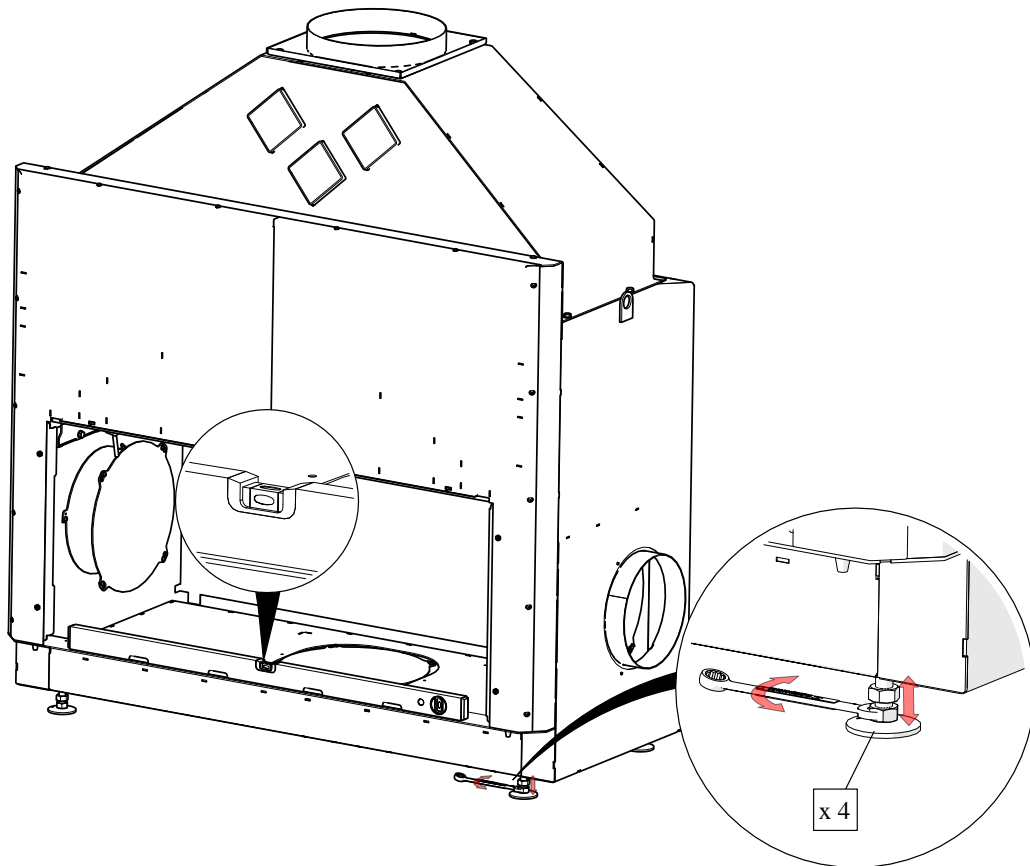
## 6 ASSEMBLY

### 6.1 SETTING UP

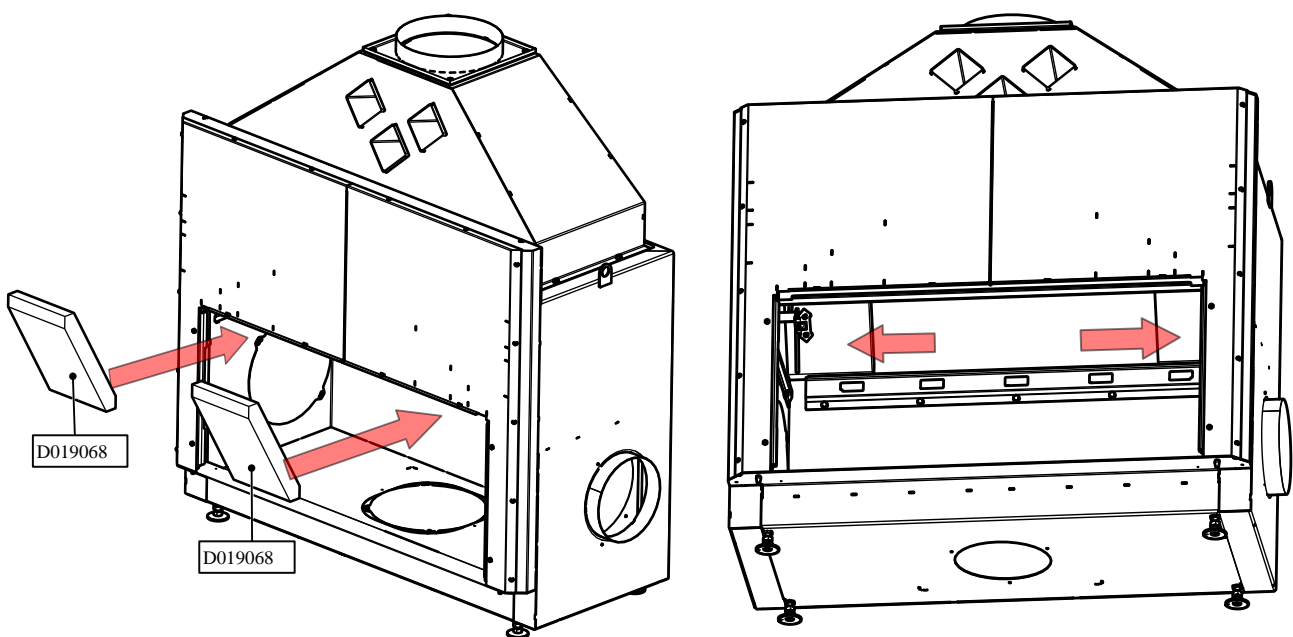


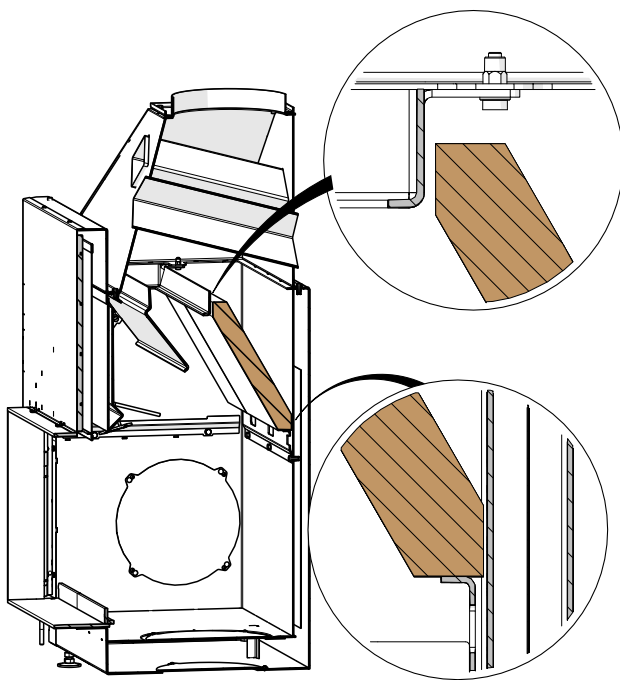
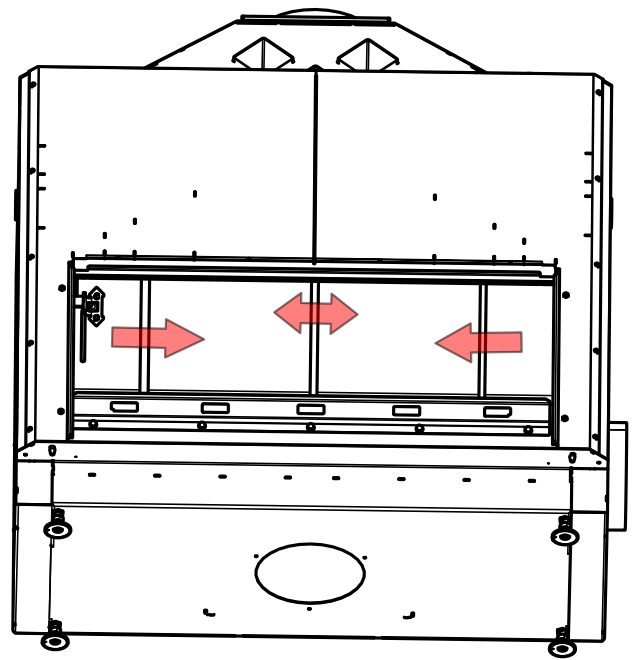
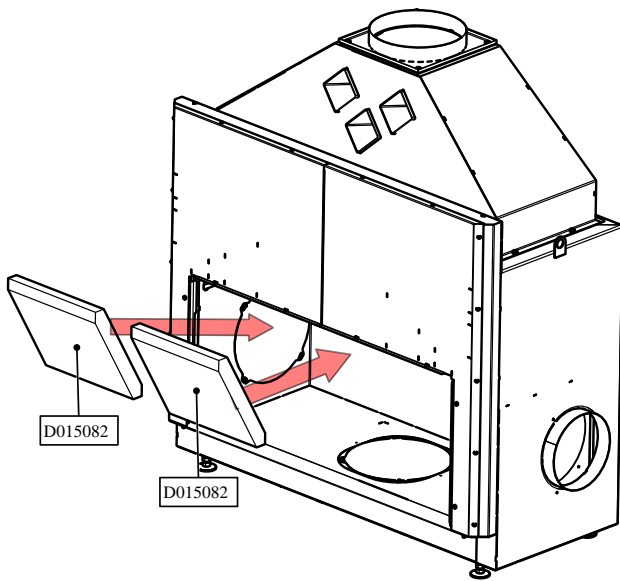




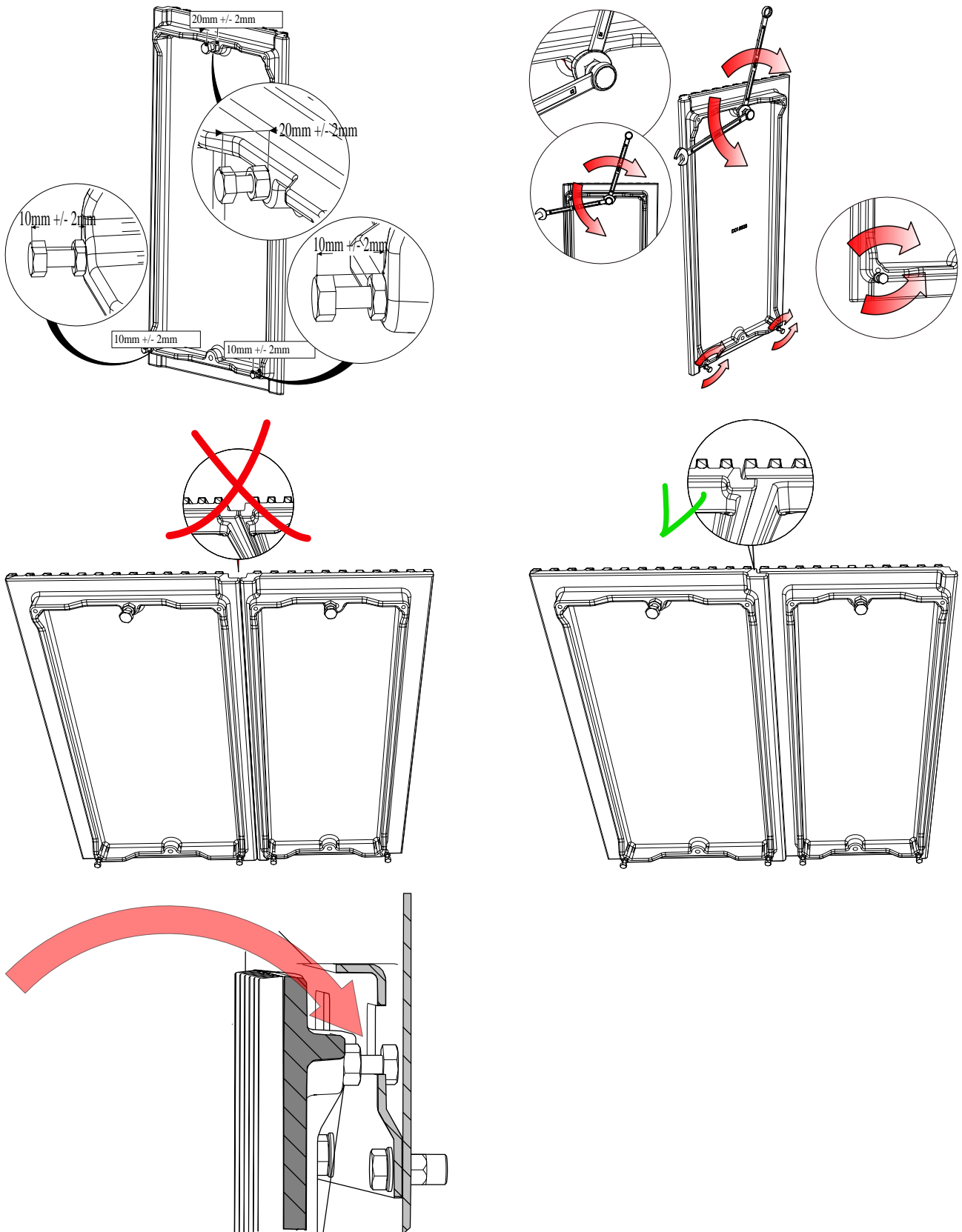


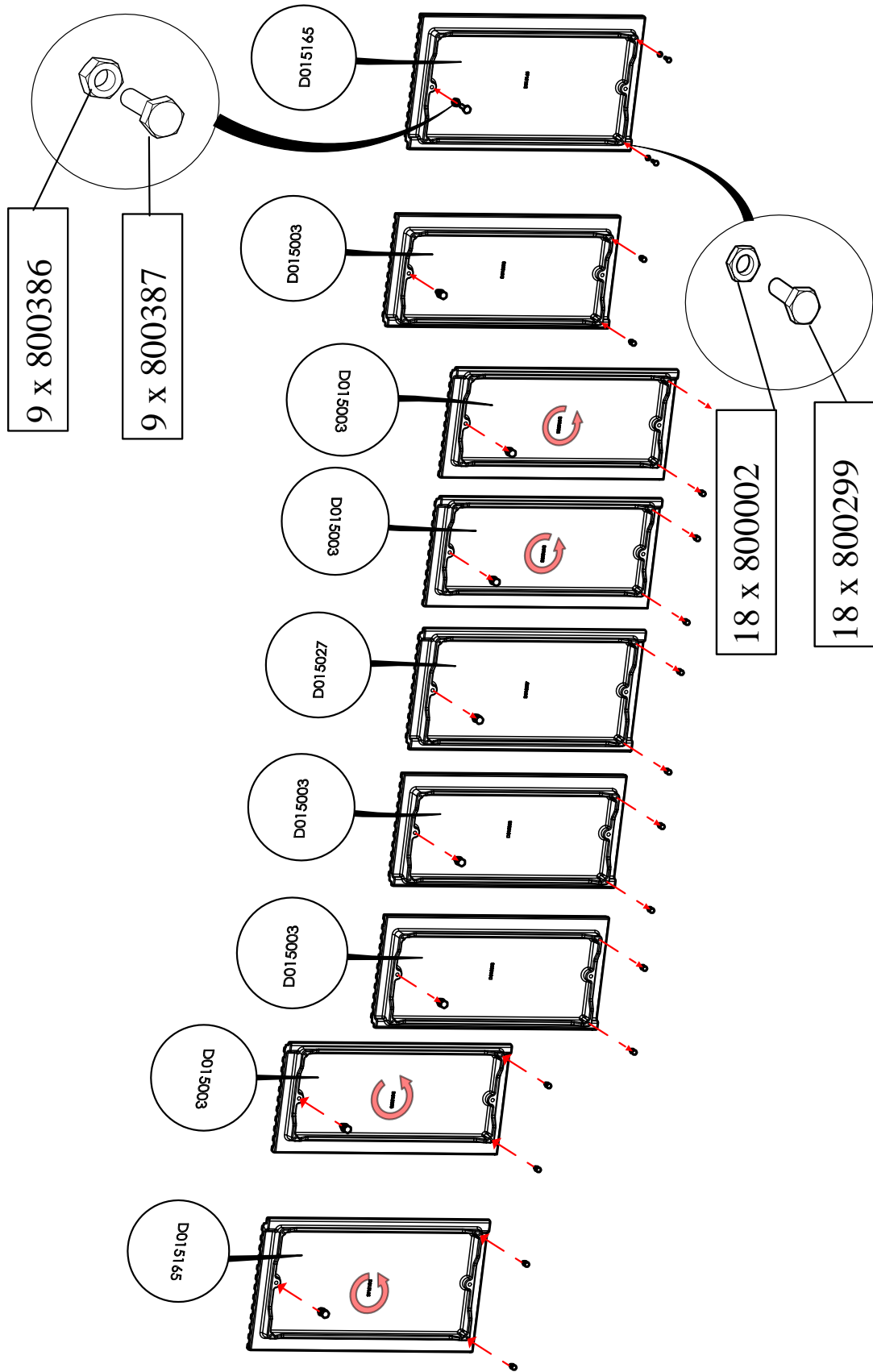
## 6.2 INSTALLATION OF DEFLECTOR PLATES

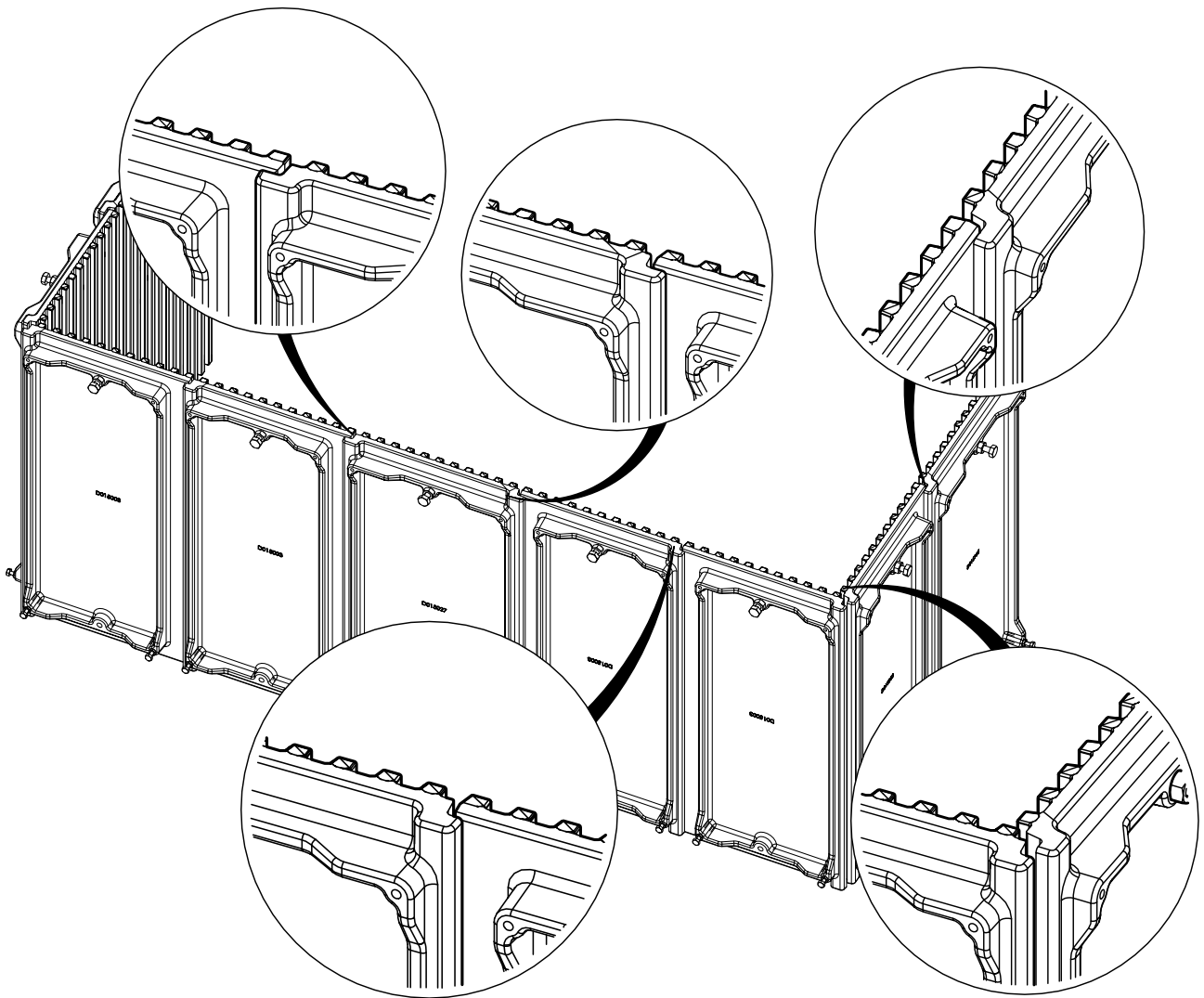




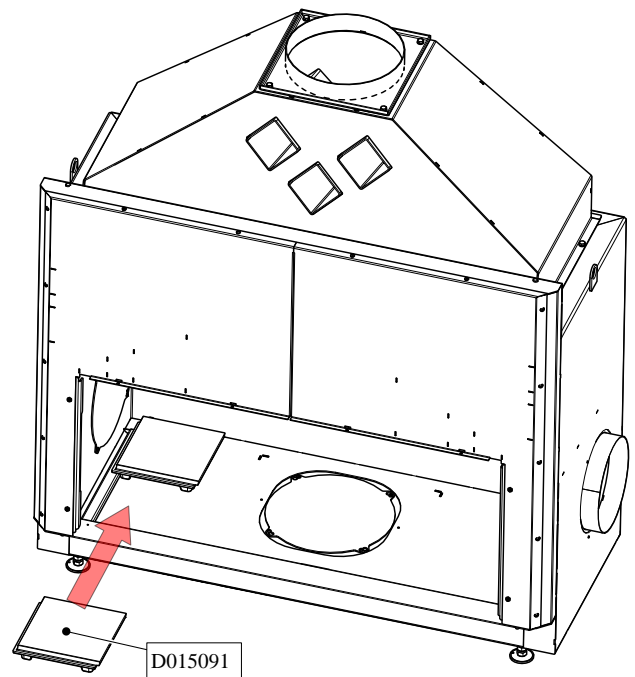
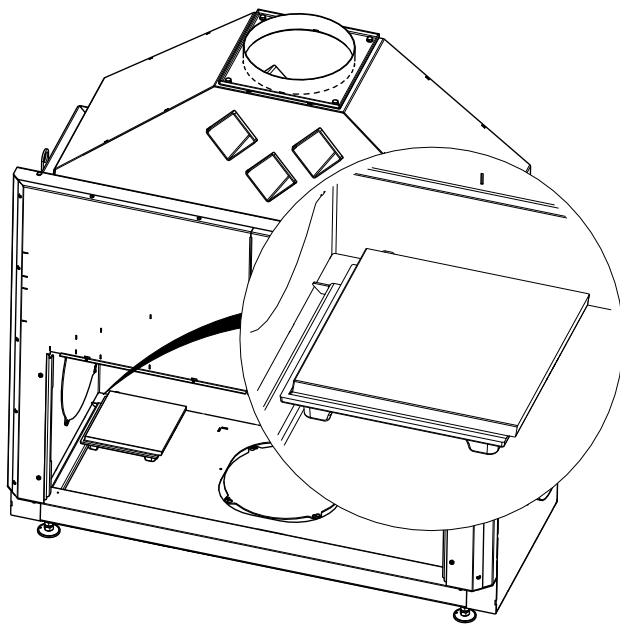
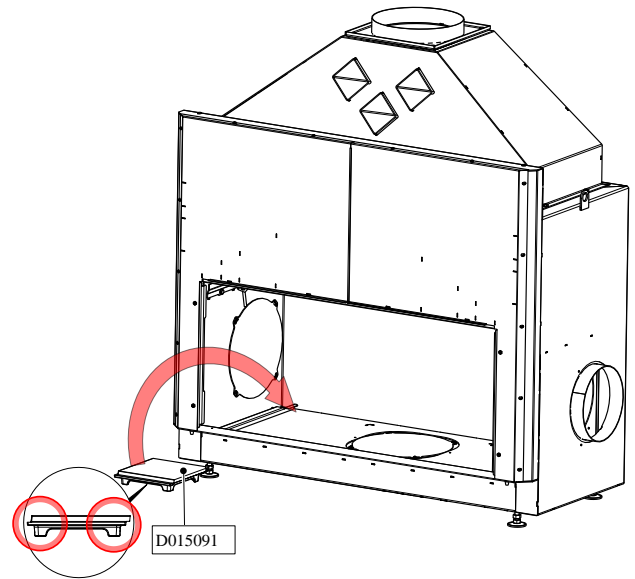
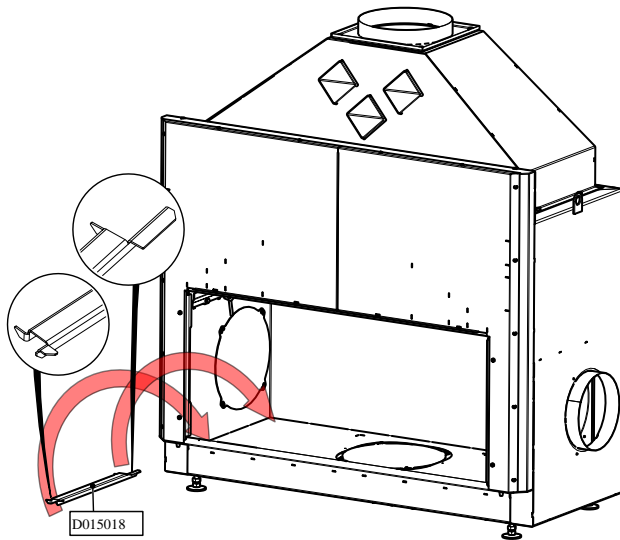
### 6.3 PREPARATION OF COMBUSTION CHAMBER

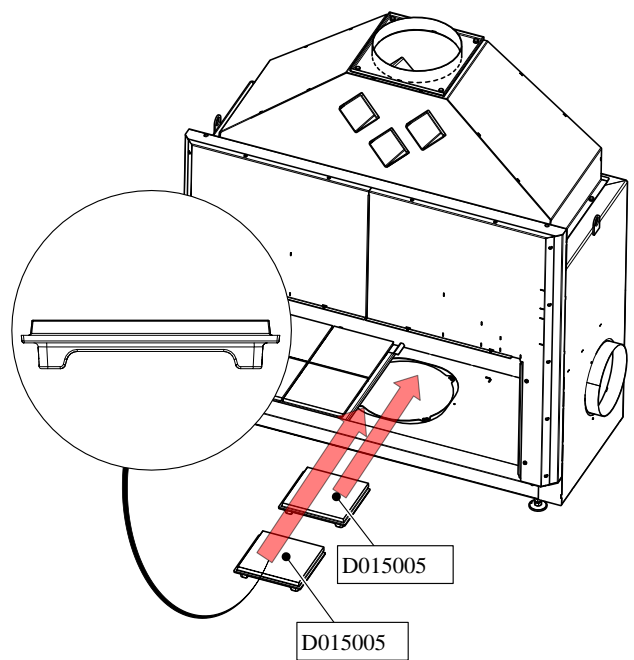
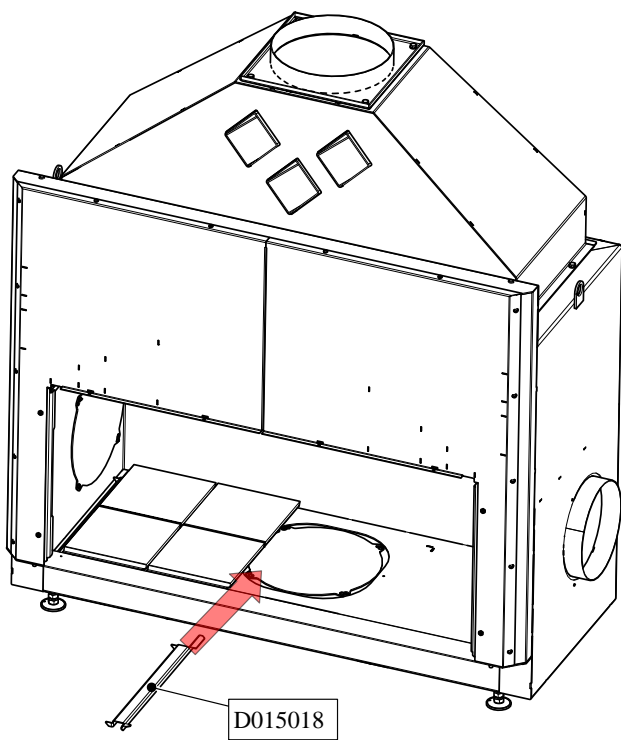
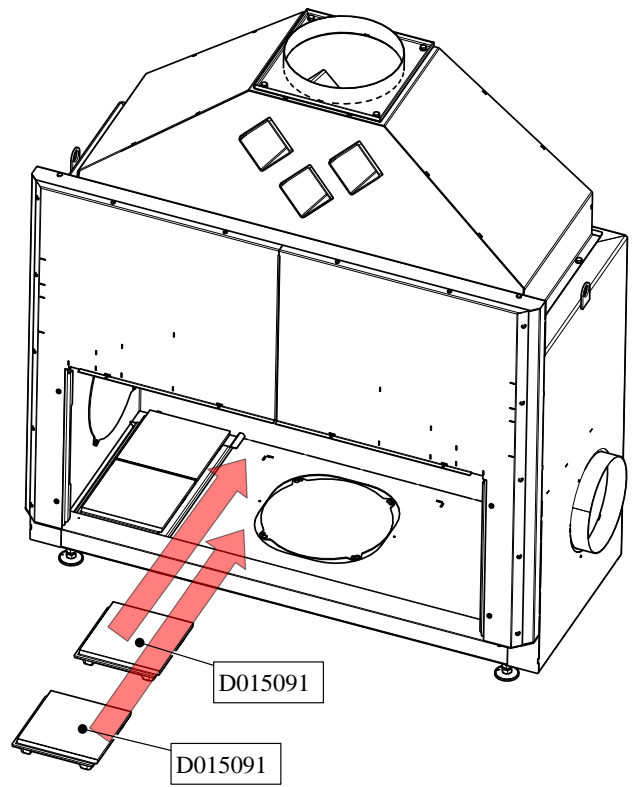
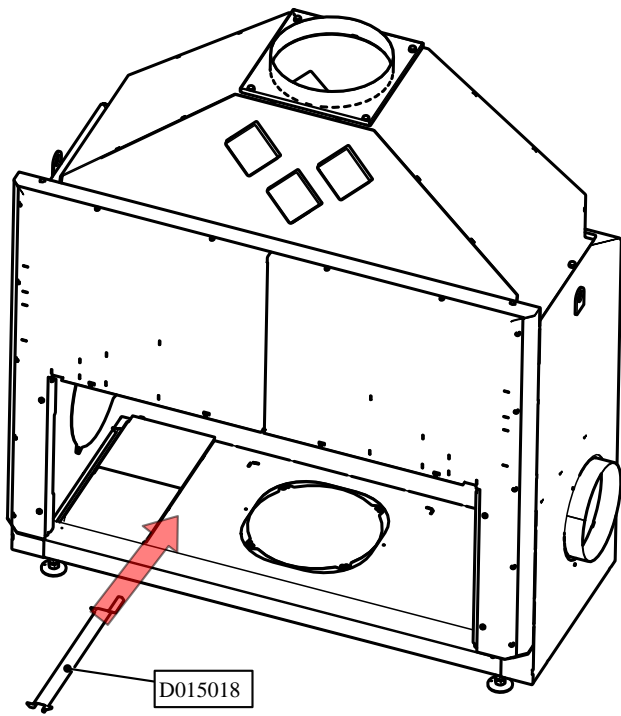


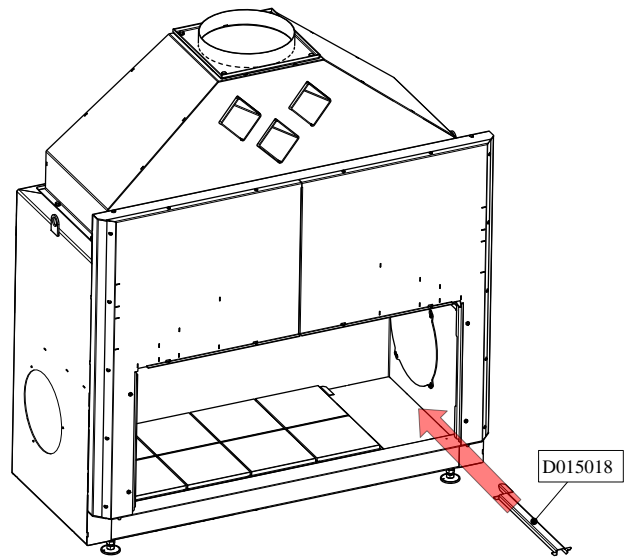
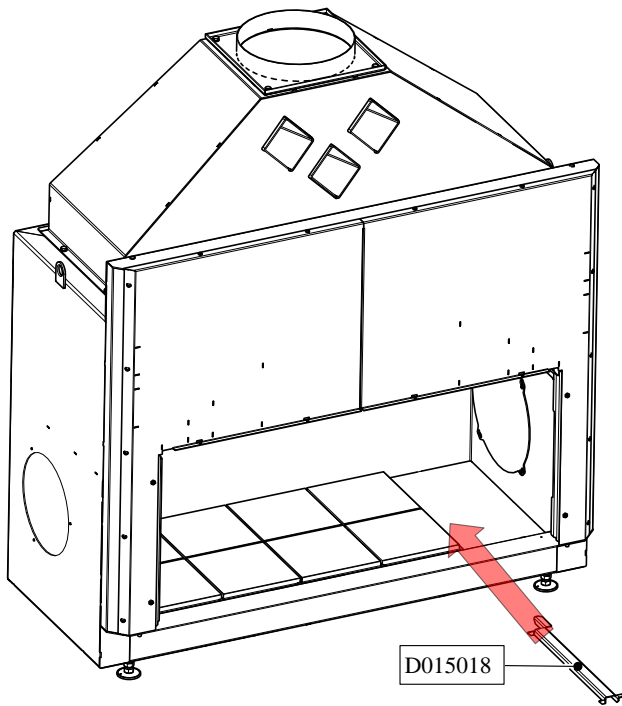
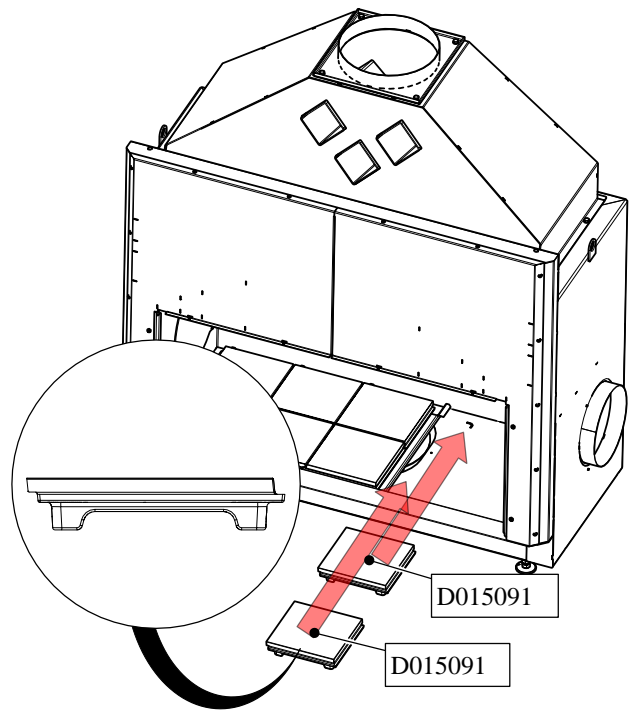
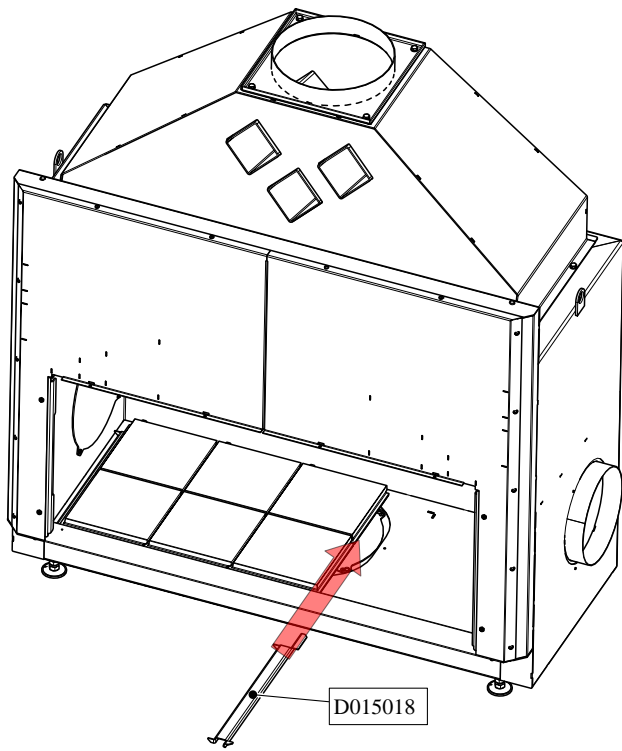


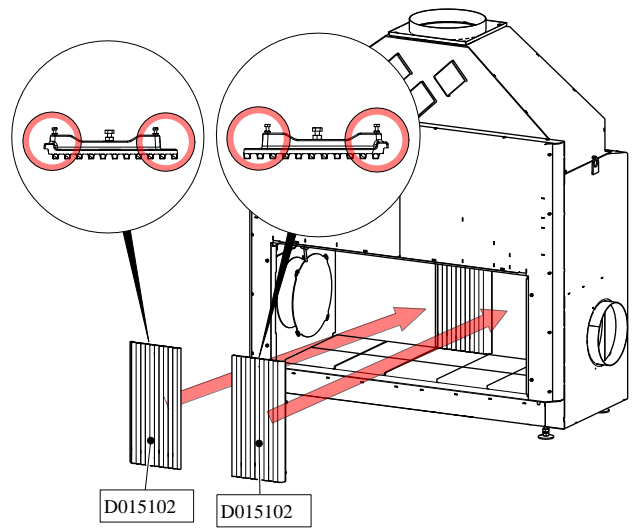
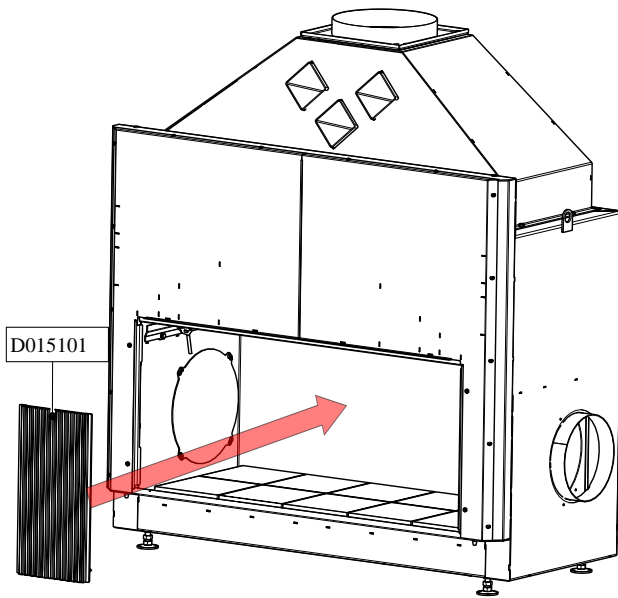
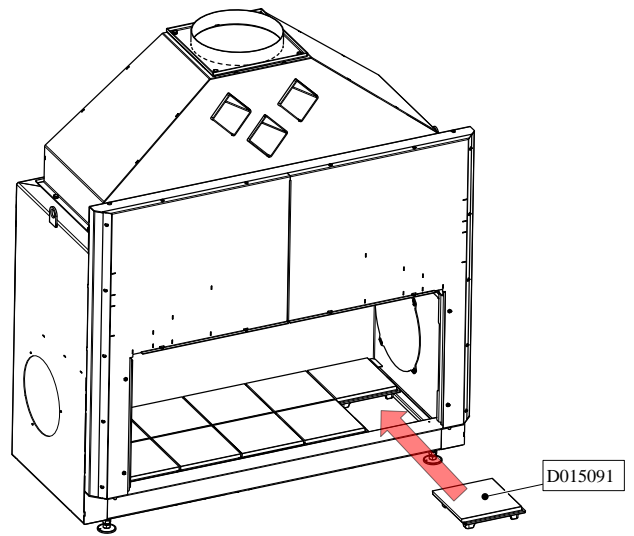
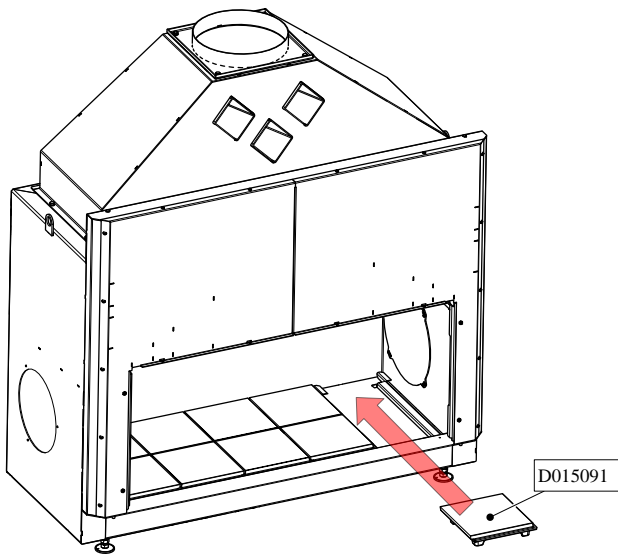


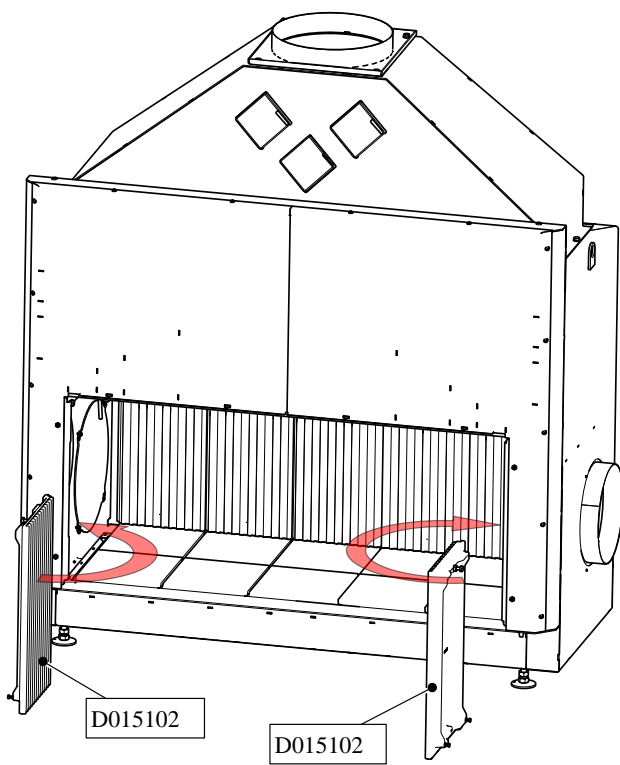
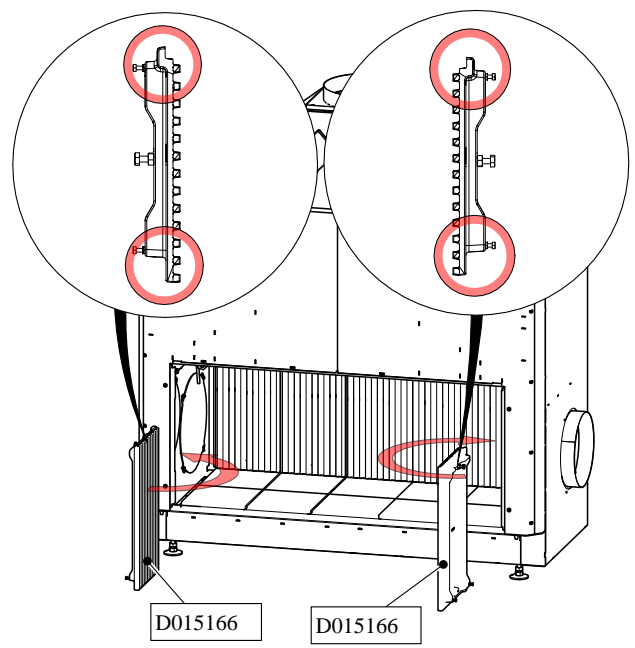
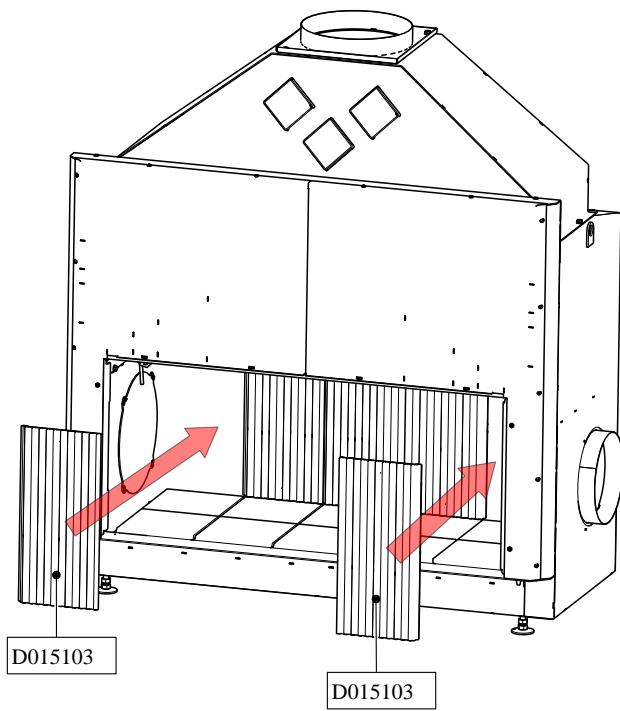
## 6.4 ASSEMBLY OF COMBUSTION CHAMBER



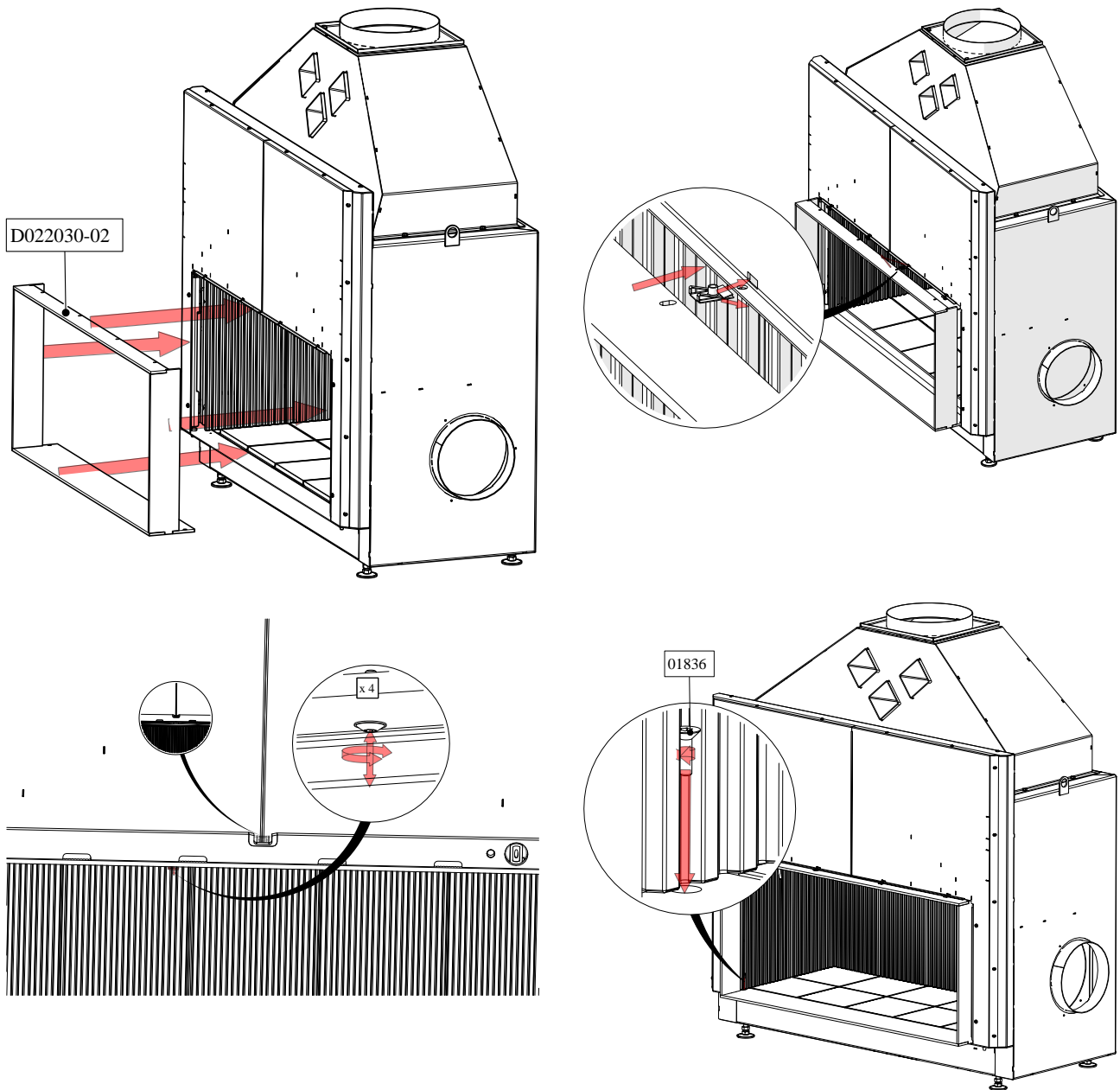




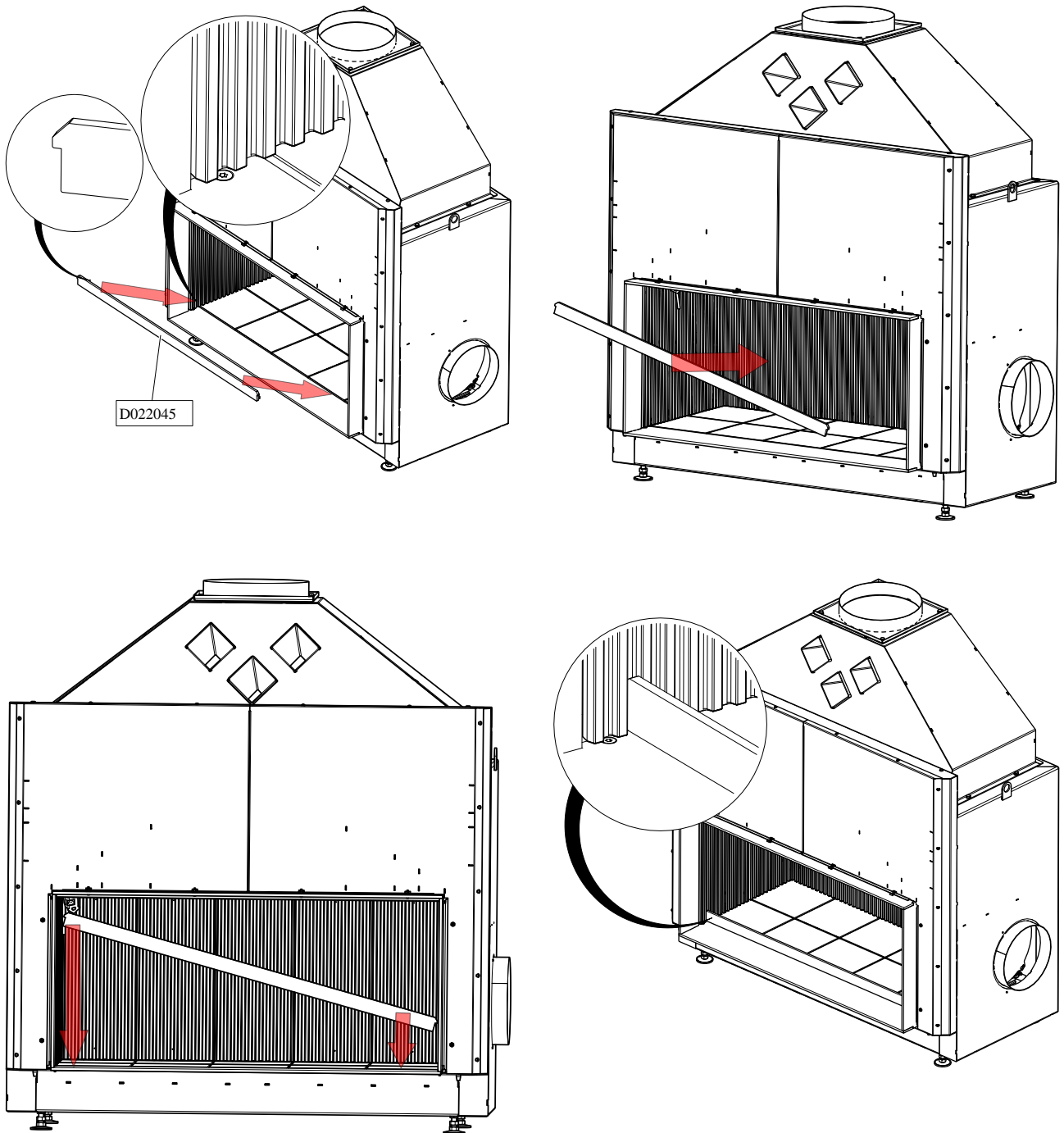




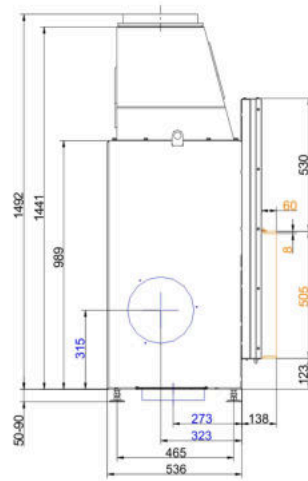
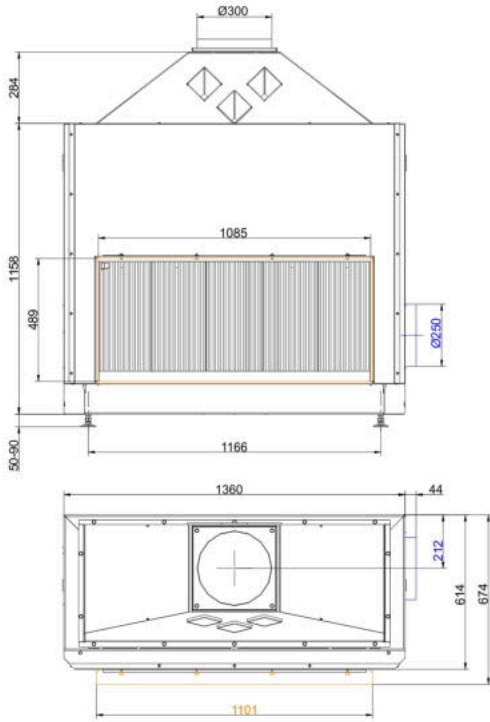
## 6.5 SETTING THE MOUNTING FRAME



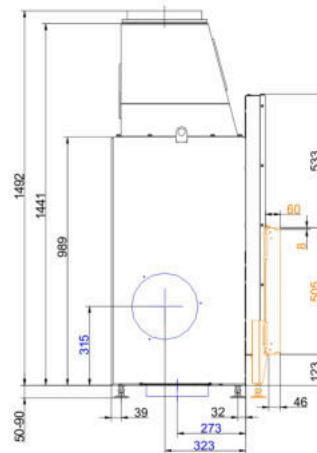
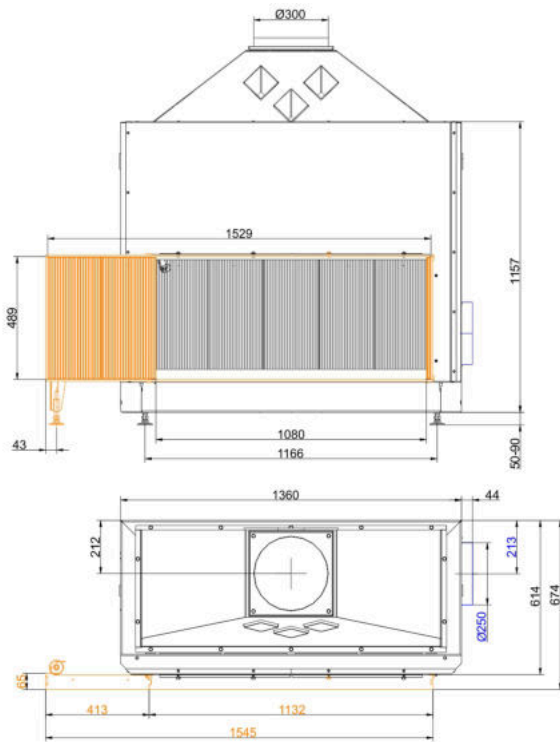
## 6.6 INSTALLATION OF THE EMBER RETAINING BAR



# Dimension sheets - Urfeuer® 50/110

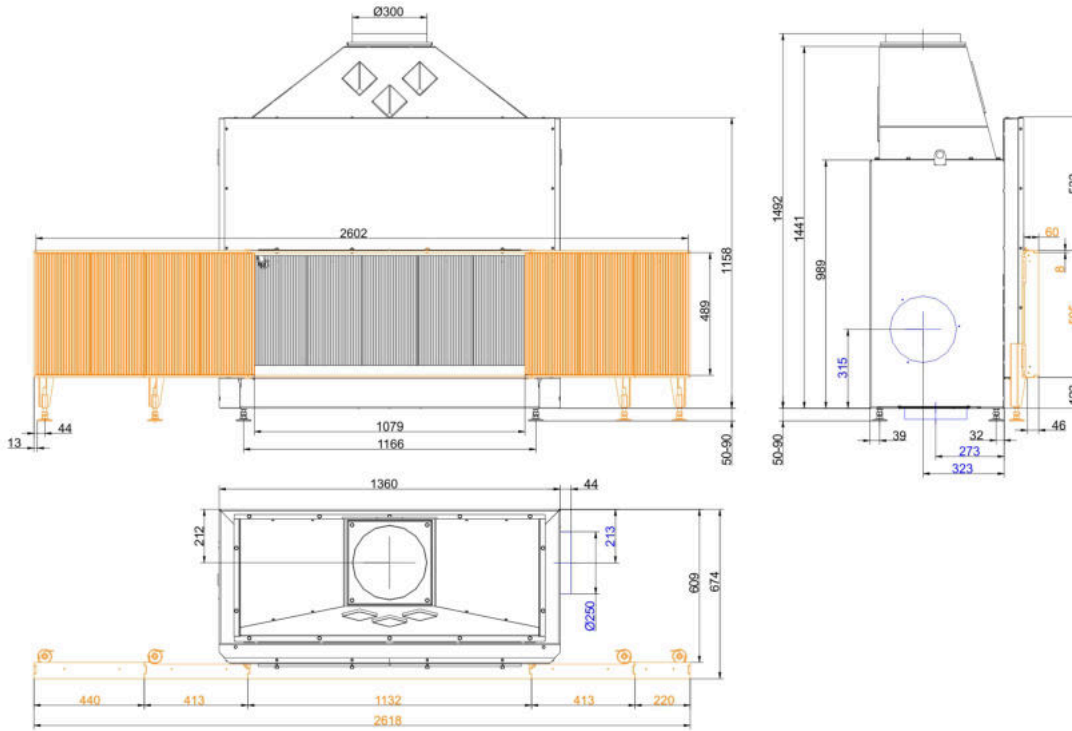


... with mounting frame



... with mounting frame L2

# Dimension sheets - Urfeuer® 50/110



... with mounting frame L4 / R3

We suggest for CAD planning Palette CAD. Permanent updated drawings: [www.brunner.de](http://www.brunner.de)

Frames/ flue gas outlet connection/ combustion air supply connection/ front variants/ support bearing are marked in color.

## Planning and installation - Urfeuer® 50/110

<b>Data for functional demonstration <sup>1)</sup></b>		
Flue gas mass flow	g/s	160
Flue gas temperature	°C	105
Necessary supply pressure	Pa	6
Total fuel load	kg	2 - 5
Combustion air consumption	m <sup>3</sup> /h	293
Combustion air connection Ø	mm	250
<b>Cross-section of gratings</b>		
exhaust warm air	cm <sup>2</sup>	500
Recirculation air	cm <sup>2</sup>	500
<b>Minimal distances of the fireplace</b>		
to cladding, insulation layer	cm	6
to mounting floor	cm	2.5
<b>Heat insulation</b>		
to mounting wall	cm	10
to mounting floor	cm	2
Brick lining for combustible wall	cm	10
from top of fireplace to ceiling	cm	14
<b>Weight</b>		
Fireplace / combustion chamber	kg	275 / 156

- 1) Urfeuer fireplaces are industrially prefabricated components for open fireplaces. Installation and planning are carried out according to the manufacturer's instructions and TROL. Open fireplaces may only be operated occasionally. The responsible district chimney sweep must be informed prior to the installation of an openly operated fireplace.

Ulrich Brunner GmbH  
Zellhuber Ring 17-18  
D-84307 Eggenfelden  
Tel.: +49 (0) 8721/771-0 / Fax: +49 (0) 8721/771-100  
Email: info@brunner.de

Technical and assortment changes as well as errors and misprints reserved.  
Reprinting and reproduction, even in part, only with the express permission of the publisher.

**Art.Nr.: 200240**