

Installation Manual

BKH 5.0 Panorama
45-80-45-80

green

©2025

BRUNNER®

CONTENTS

1	Basic informations.....	3
1.1	Specified symbols.....	3
2	Safety.....	4
2.1	Safety precautions.....	4
2.2	Fire protection.....	6
2.2.1	Mounting wall / Ceiling non-combustible.....	7
2.2.2	Mounting wall / Ceiling combustible (U-value > 0,4 W/m ² K).....	8
2.2.3	Mounting wall / Ceiling combustible (U-value < 0,4 W/m ² K).....	11
3	Delivery contents BKH Panorama 45-80-45-80.....	12
3.1	BKH Panorama: Heat protection panel = standard.....	14
3.2	Catalytic converter (optional).....	14
4	Installation.....	16
4.1	Setting up.....	16
4.1.1	Remove the transport locks.....	17
4.1.1.1	BKH Panorama ST (lifting door).....	17
4.1.2	Modification: Adjusting of self-closing door.....	18
4.2	Fitting: catalytic converter.....	19
4.3	Fitting: deflection.....	21
4.4	Variants Combustion chamber lining.....	24
4.4.1	Chamotte inner lining.....	24
4.5	Variants heat exchanger.....	25
4.5.1	MAS.....	25
4.5.1.1	Components MAS modular top-mount storage SET 440.....	25
4.5.1.2	Fitting: MAS modular top-mount storage SET 440.....	26
4.6	Variant: Mounting bracket - wide frame.....	29
4.7	Variant: EOS.....	30
4.7.1	Bottom cover Air box EOS.....	30
4.7.1.1	Components EOS.....	30
4.7.1.2	Fitting: EOS.....	31
4.7.1.3	Membrane feed-through.....	32
4.7.1.4	Air position indicator Panorama.....	33
4.7.2	Thermocouple.....	34
4.7.2.1	Components Thermocouple.....	34
4.7.2.2	Fitting: Thermocouple.....	34
4.7.3	Door contact switch.....	36
4.7.3.1	Components Door contact switch.....	36
4.7.3.2	Fitting: Door contact switch.....	36
5	Disposal.....	40
6	Technical data.....	41

1 BASIC INFORMATIONS



All instructions delivered with products must be observed. We do not accept any warranty claim or liability for damage resulting from failure to observe these installation instructions!
Improper installation can cause injury and material damage!

The floor space of the room must have a suitable structure and sufficient dimensions to ensure proper functioning of the fireplace.

Please note that other installation and assembly instructions are included in other packaging units!

Dimensioning of downstream heat accumulator must be according to valid stove-setting rules.

During installation of the fireplace, all dimensions and minimal clearances of the fireplace casing must be held as specified by the manufacturer.

All binding national or EU standards and local regulations for the installation of fireplaces must be observed.

All valid stove fitting rules and regulations of local construction law must be observed and followed.

Please follow the relevant regulations of your country.

When these instructions are followed and all works are done properly, this will ensure a safe, energy-saving and environmentally friendly operation of the stove. Pictures shown are not to be considered as complete representations of any kind.

Subject to technical and assortment changes.

Please notify your supplier of any damage which might have occurred during transport.

Please keep these instructions.

Please also take note of the online product documentation provided by:



[General instructions of the Brunner products installation for the stove construction.](https://www.brunner.de/produktdownloads/kachelofen-kamine/allgemeine-hinweise-fuer-den-aufbau_de.pdf)

(https://www.brunner.de/produktdownloads/kachelofen-kamine/allgemeine-hinweise-fuer-den-aufbau_de.pdf) laden können.




1.1 SPECIFIED SYMBOLS


In this documentation, a distinction is made between:


Operating personnel as the **User of the system**, i.e. the end user, which has received instructions from the Contractor and does not necessarily have additional qualifications.

Operating personnel as the **Contractor**, i.e. the qualified professionals, which are entitled to perform the indicated specialist works.

In this document, the following symbols are used:

	<p>DANGER A danger of high risk persists, which leads to severe injury or death, if this endangering situation is not avoided.</p>
	<p>WARNING A danger of medium risk persists, which can lead to severe injury or death, if this endangering situation is not avoided.</p>
	<p>CAUTION A danger of low risk persists, which can lead to minor or moderate injury, if this endangering situation is not avoided.</p>

	<p>ATTENTION There is a certain risk, which can lead to a malfunction or damage of the related system and all devices connected with it, if the indicated notifications are not followed.</p>
---	--

	<p>NOTE Additional helpful information</p>
--	---


2 SAFETY

2.1 SAFETY PRECAUTIONS

Fireplaces may be set up only in rooms or areas with no risk of danger due to their location, structure or intended use.

Working on the stove	Installation, commissioning, servicing and maintenance works on the product may be carried out only by an authorized stove-fitter. Safety and efficiency of the system depend on this!
----------------------	--

Working with electronics	Switch off the emergency switch or circuit breaker, and secure them against switching on again.
--------------------------	---

 Fireplaces with external air supply are not independent from room air supply and must be considered and designed as roomsealed fireplaces. In connection with a ventilation or extraction system, we recommend the use of a negative pressure safety device (Art.No.: 11600.1).

Installation must be carried out by an authorized stove-fitter, because safety and efficiency of the system depend mostly on proper installation of the product. All valid stove fitting rules and regulations of building law must be observed and followed. Make sure to instruct the owner or user about the functions and controls of the system and possibly installed safety devices.

Fireplaces must be built to ensure safe operation and fire safety in order to eliminate possible risks and unacceptable loads. They have to be ready for use over an adequate period of time.

Make sure to instruct the owner or user about the functions and controls of the system and possibly installed safety devices.

Remember to use only genuine replacement parts.

2.2 FIRE PROTECTION

The thermal insulation listed in the fire protection information is implemented with substitute insulation material in the form of calcium silicate boards (e.g. brands: Promasil, Silka, Skamol).

If a different insulating material is used (e.g. vermiculite), the manufacturer's specifications must be used for conversion to the installed insulating material.

The thermal insulation for non-combustible add-on walls and ceilings is based on the requirements of TROL (Germany).

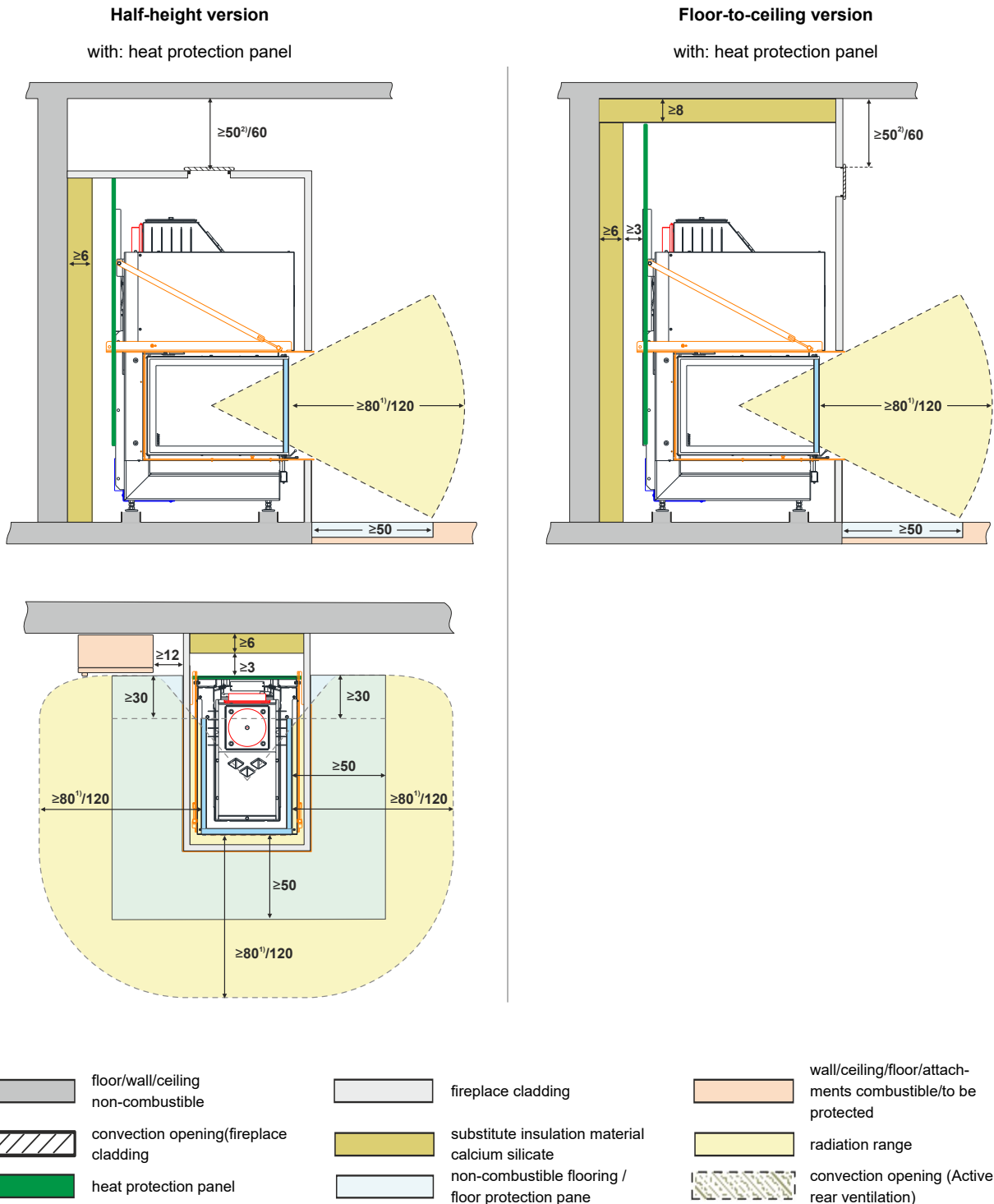
For extension walls made of combustible building materials, fire protection can also be provided in a version with active rear ventilation. This variant has been tested and is created with an insulation thickness of 5 cm. It is important to ensure that air flows across the entire width and height.

The room air must be able to flow in at the bottom and out at the top. The air inlet and outlet openings (cross-section 75 cm²) must not be sealable. In normal operation, the temperatures at the air outlet are below 85°C.

For thermally insulated add-on walls with a U-value < 0.4 W/m²K, the fire protection must be designed with active rear ventilation.

2.2.1 MOUNTING WALL / CEILING NON-COMBUSTIBLE

Structure: Substitute insulation material I Mounting wall / Ceiling non-combustible



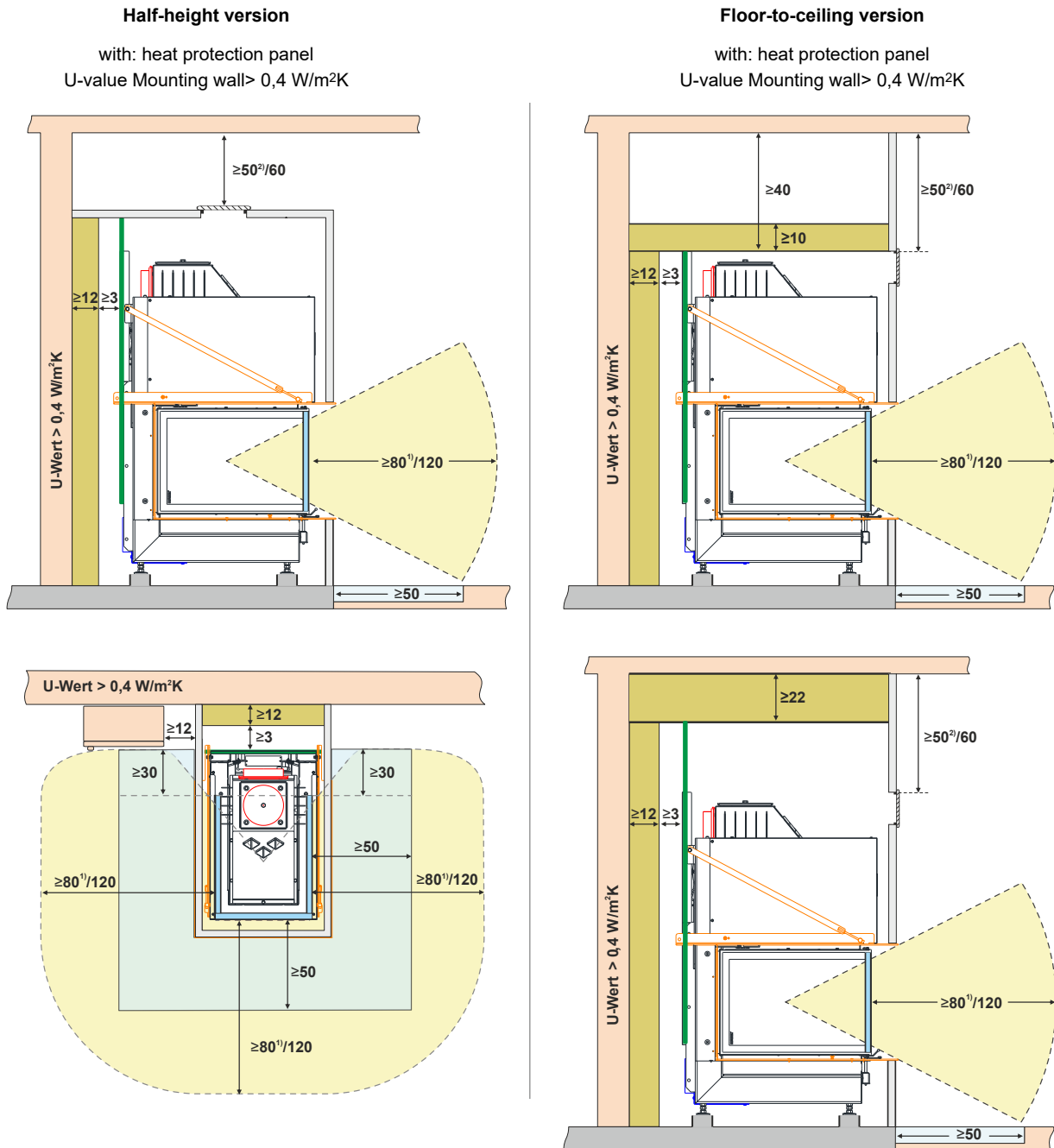
¹⁾ Glass ceramic coated (GKB); ²⁾ BKH Panorama 45-45-45






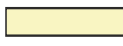



All figures in cm

When designing the exhaust system and exhaust pipe, national standards and fire protection regulations must be observed

2.2.2 MOUNTING WALL / CEILING COMBUSTIBLE (U-VALUE > 0,4 W/M²K)

Structure: Substitute insulation material I Mounting wall / Ceiling combustible



- | | | |
|---|--|--|
|  floor/wall/ceiling non-combustible |  fireplace cladding |  wall/ceiling/floor/attachments combustible/to be protected |
|  convection opening (fireplace cladding) |  substitute insulation material calcium silicate |  radiation range |
|  heat protection panel |  non-combustible flooring / floor protection pane |  convection opening (Active rear ventilation) |

¹⁾ Glass ceramic coated (GKB); ²⁾ BKH Panorama 45-45-45

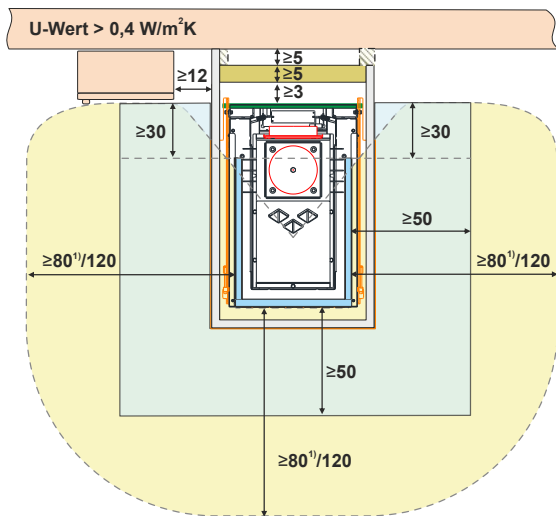
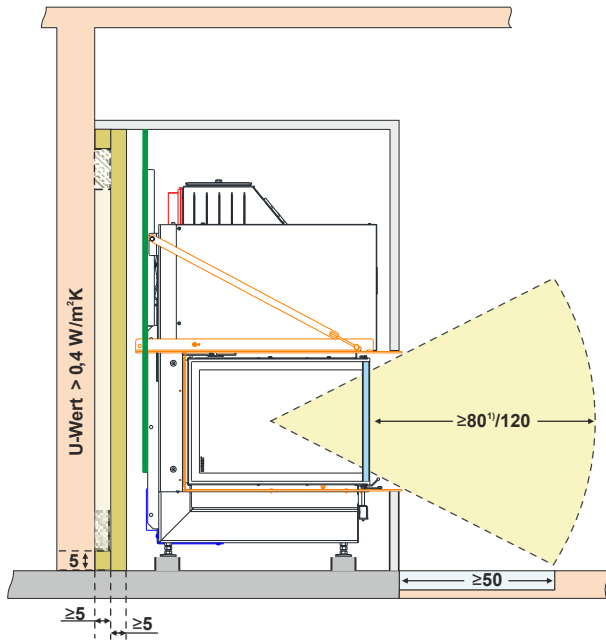
All figures in cm

When designing the exhaust system and exhaust pipe, national standards and fire protection regulations must be observed

Structure: Substitute insulation material | Active rear ventilation | Mounting wall/ Ceiling combustible

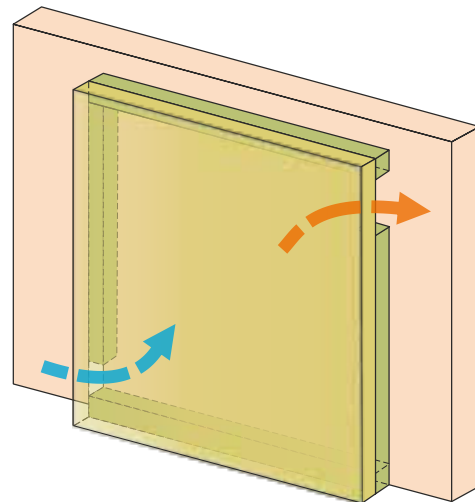
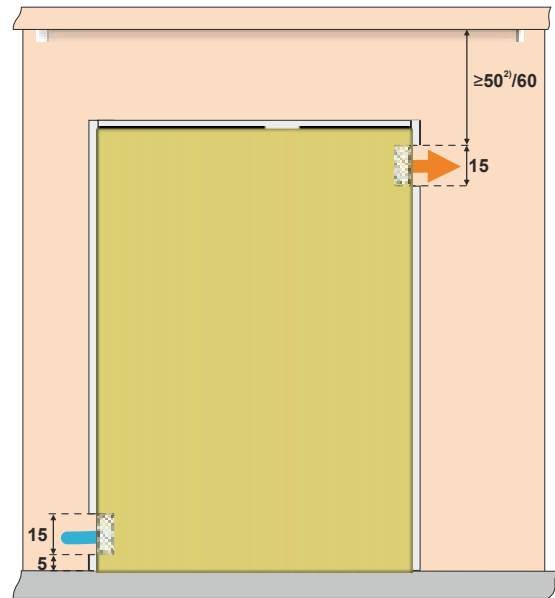
Half-height version


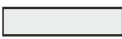



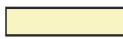



with: Active rear ventilation
U-value Mounting wall > 0,4 W/m²K



Detail:

Active rear ventilation (2x75 cm²)



- | | | |
|---|--|--|
|  floor/wall/ceiling non-combustible |  fireplace cladding |  wall/ceiling/floor/attachments combustible/to be protected |
|  convection opening (fireplace cladding) |  substitute insulation material calcium silicate |  radiation range |
|  heat protection panel |  non-combustible flooring / floor protection pane |  convection opening (Active rear ventilation) |

¹⁾ Glass ceramic coated (GKB); ²⁾ BKH Panorama 45-45-45

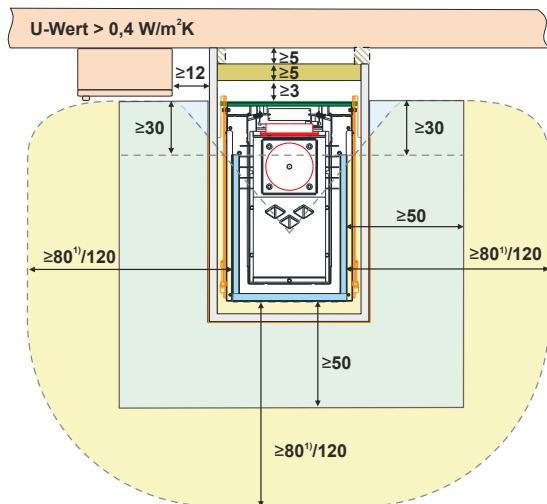
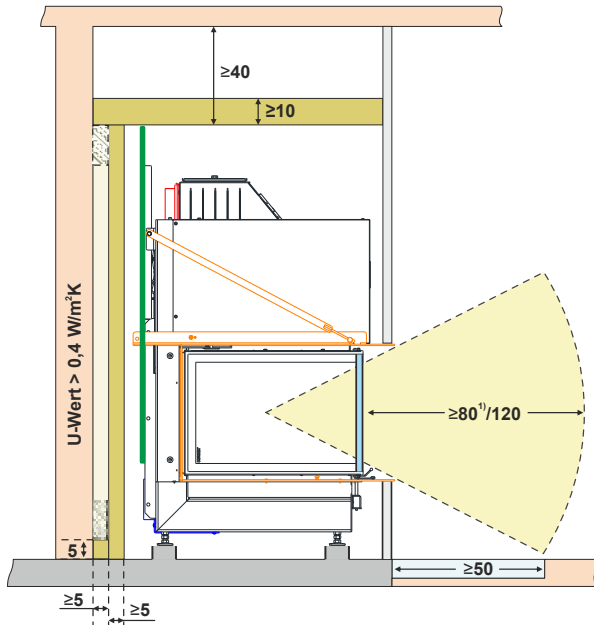
All figures in cm

When designing the exhaust system and exhaust pipe, national standards and fire protection regulations must be observed

Structure: Substitute insulation material I aktive Hinterlüftung I Mounting wall/ Ceiling combustible

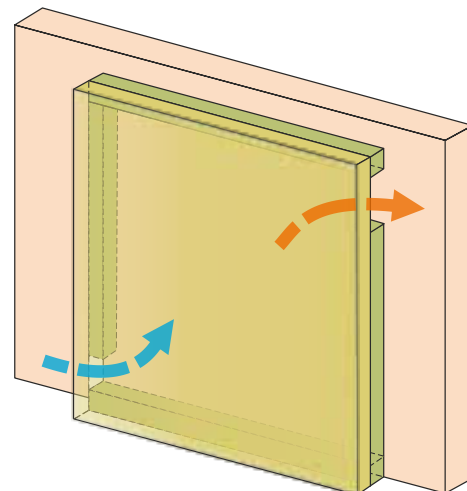
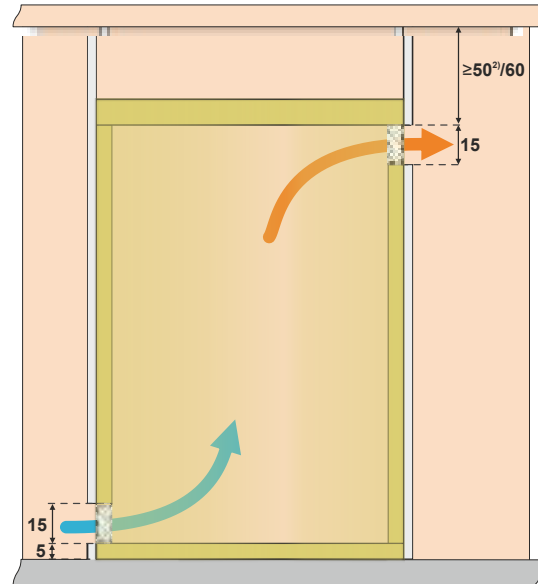
Floor-to-ceiling version





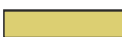
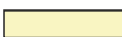



with: Active rear ventilation
U-value Mounting wall > 0,4 W/m²K



Detail:

Active rear ventilation (2x75 cm²)



- | | | |
|---|--|--|
|  floor/wall/ceiling non-combustible |  fireplace cladding |  wall/ceiling/floor/attachments combustible/to be protected |
|  convection opening (fireplace cladding) |  substitute insulation material calcium silicate |  radiation range |
|  heat protection panel |  non-combustible flooring / floor protection pane |  convection opening (Active rear ventilation) |

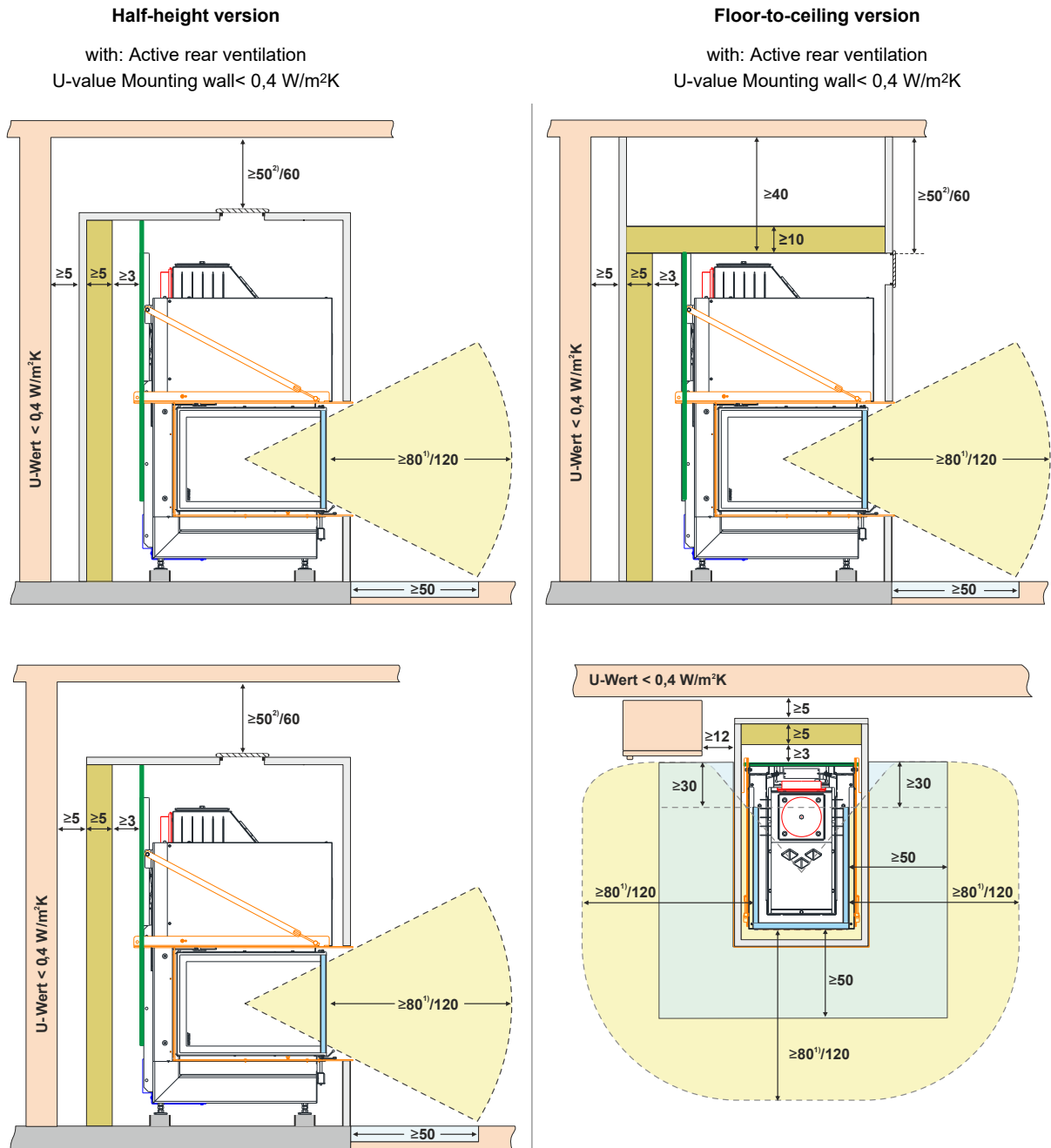
1) Glass ceramic coated (GKB); 2) BKH Panorama 45-45-45






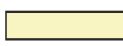



All figures in cm

When designing the exhaust system and exhaust pipe, national standards and fire protection regulations must be observed

2.2.3 MOUNTING WALL / CEILING COMBUSTIBLE (U-VALUE < 0,4 W/M²K)

Structure: Substitute insulation material I aktive Hinterlüftung I Mounting wall/ Ceiling combustible



- | | | |
|---|--|--|
|  floor/wall/ceiling non-combustible |  fireplace cladding |  wall/ceiling/floor/attachments combustible/to be protected |
|  convection opening (fireplace cladding) |  substitute insulation material calcium silicate |  radiation range |
|  heat protection panel |  non-combustible flooring / floor protection pane |  convection opening(Active rear ventilation) |

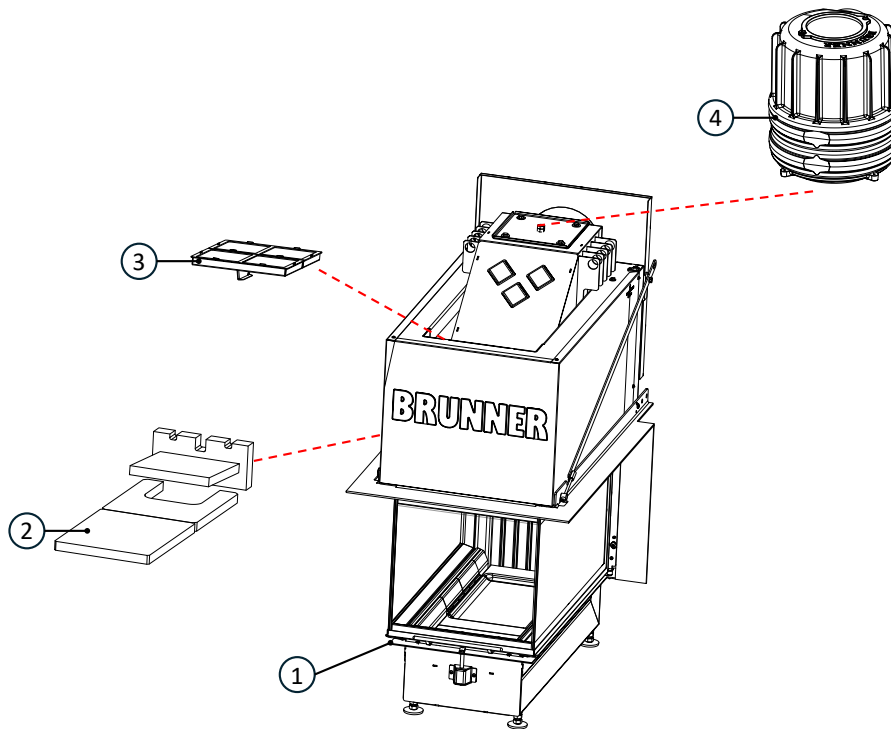
1) Glass ceramic coated (GKB); 2) BKH Panorama 45-45-45

All figures in cm

When designing the exhaust system and exhaust pipe, national standards and fire protection regulations must be observed

3 DELIVERY CONTENTS BKH PANORAMA 45-80-45-80

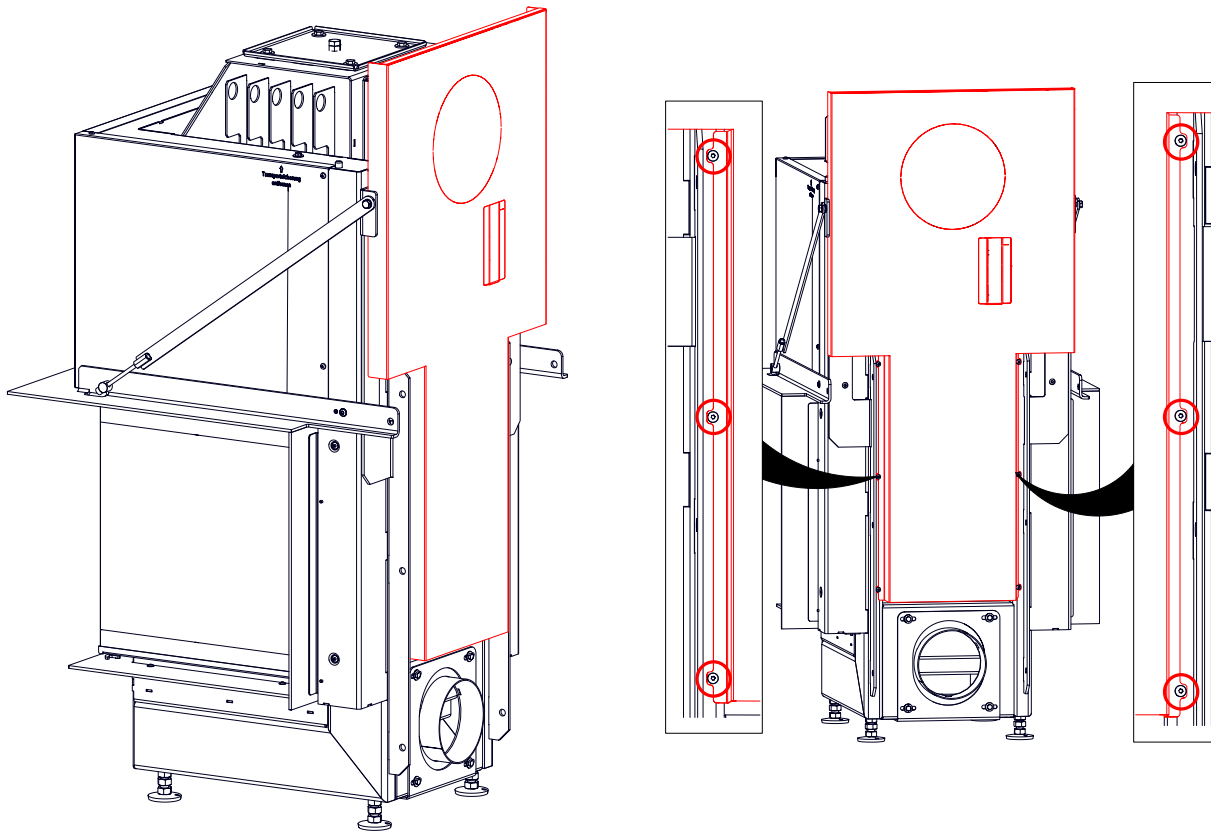
BKH Panorama 45-80-45-80 with lifting door



Pos.	Designation	Art. No.
	BKH - variants:	
	BKH 5.0 Panorama 45-80-45-80 with manual operation, with Ceramic glass (GK), Chamotte inner lining (FR) with narrow frame	HK052002-01
	BKH 5.0 Panorama 45-80-45-80 with manual operation, with Ceramic glass (GK), Chamotte inner lining (FR) with wide frame	HK052002-05
	BKH 5.0 Panorama 45-80-45-80 with manual operation, with Glass ceramic coated (GKB), Chamotte inner lining (FR) with narrow frame	HK052002-03
	BKH 5.0 Panorama 45-80-45-80 with manual operation, with Glass ceramic coated (GKB), Chamotte inner lining (FR) with wide frame	HK052002-07
	BKH 5.0 Panorama 45-80-65-80 for EAS/EOS with Ceramic glass (GK), Chamotte inner lining (FR) with narrow frame	HK052002-02
	BKH 5.0 Panorama 45-80-45-80 for EAS/EOS with Ceramic glass (GK), Chamotte inner lining (FR) with wide frame	HK052002-06
	BKH 5.0 Panorama 45-80-45-80 for EAS/EOS with Glass ceramic coated (GKB), Chamotte inner lining (FR) with narrow frame	HK052002-04
	BKH 5.0 Panorama 45-80-45-80 for EAS/EOS with Glass ceramic coated (GKB), Chamotte inner lining (FR) with wide frame	HK052002-08
1		
	BKH 5.0 Panorama 45-80-45-80 with manual operation, with Ceramic glass (GK), Combustion chamber inner lining cast iron (FR/Guss) with narrow frame	HK052002-09
	BKH 5.0 Panorama 45-80-45-80 with manual operation, with Ceramic glass (GK), Combustion chamber inner lining cast iron (FR/Guss) with wide frame	HK052002-13
	BKH 5.0 Panorama 45-80-45-80 with manual operation, with Glass ceramic coated (GKB), Combustion chamber inner lining cast iron (FR/Guss) with Anbaukante	HK052002-11
	BKH 5.0 Panorama 45-80-45-80 with manual operation, with Glass ceramic coated (GKB), Combustion chamber inner lining cast iron (FR/Guss) with wide frame	HK052002-15
	BKH 5.0 Panorama 45-80-45-80 for EAS/EOS with Ceramic glass (GK), Combustion chamber inner lining cast iron (FR/Guss) with narrow frame	HK052002-10
	BKH 5.0 Panorama 45-80-45-80 for EAS/EOS with Ceramic glass (GK), Combustion chamber inner lining cast iron (FR/Guss) with wide frame	HK052002-14
	BKH 5.0 Panorama 45-80-45-80 for EAS/EOS with Glass ceramic coated (GKB), Combustion chamber inner lining cast iron (FR/Guss) with Anbaukante	HK052002-12
	BKH 5.0 Panorama 45-80-45-80 for EAS/EOS with Glass ceramic coated (GKB), Combustion chamber inner lining cast iron (FR/Guss) with wide frame	HK052002-16
2	The non-installed parts (e.g. deflection plates, control levers, etc.) and any accessories ordered (e.g. catalytic converter, packaging with EOS, etc.), including the instructions box, are packed in the combustion chamber	
3	Catalyst module BKH 5.0 Panorama	HK000233
Smoke hood variants		
4	Connection variant MAS SET440	SET213446

3.1 BKH PANORAMA: HEAT PROTECTION PANEL = STANDARD

Position



3.2 CATALYTIC CONVERTER (OPTIONAL)

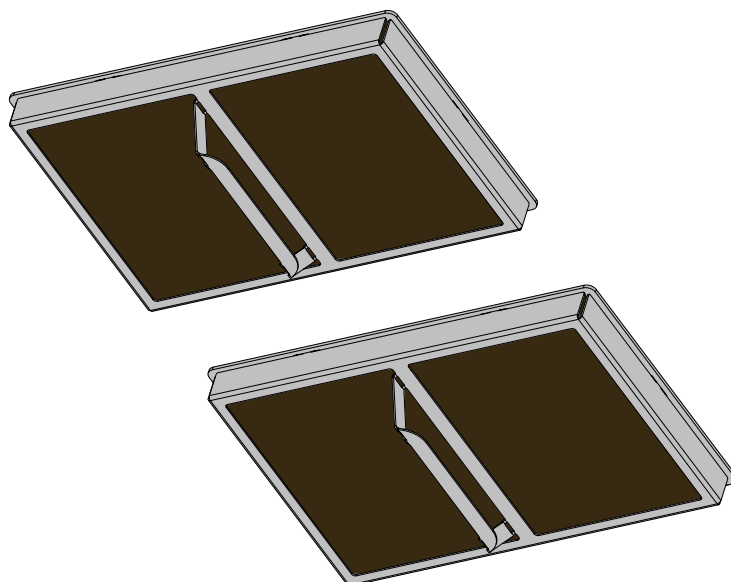


The catalytic converters are coated with a catalytically active layer. This coating can consist of mixed metal oxides or also of precious metals.



**ATTENTION**

The catalysts are fragile and must only be handled with care. Avoid bumping and do not drop the catalytic converter. This could destroy the catalytic converter!

**Note**

This catalytic converter is suitable for all BKH Panorama.

This catalytic converter can also be retrofitted.

4 INSTALLATION

4.1 SETTING UP

**DANGER**

Possible personal injury and/or property damage caused by improper installation

Assembly and installation of BKH requires extensive specialist knowledge.

- Assembly and installation works must be performed by authorized professionals.

**Danger**

Risk of injury caused by heavy loads

Carrying of heavy loads can lead to injuries.

- The equipment should be carried by at least two people.
- Use appropriate carrying aids.
- Keep the transport weight in mind.

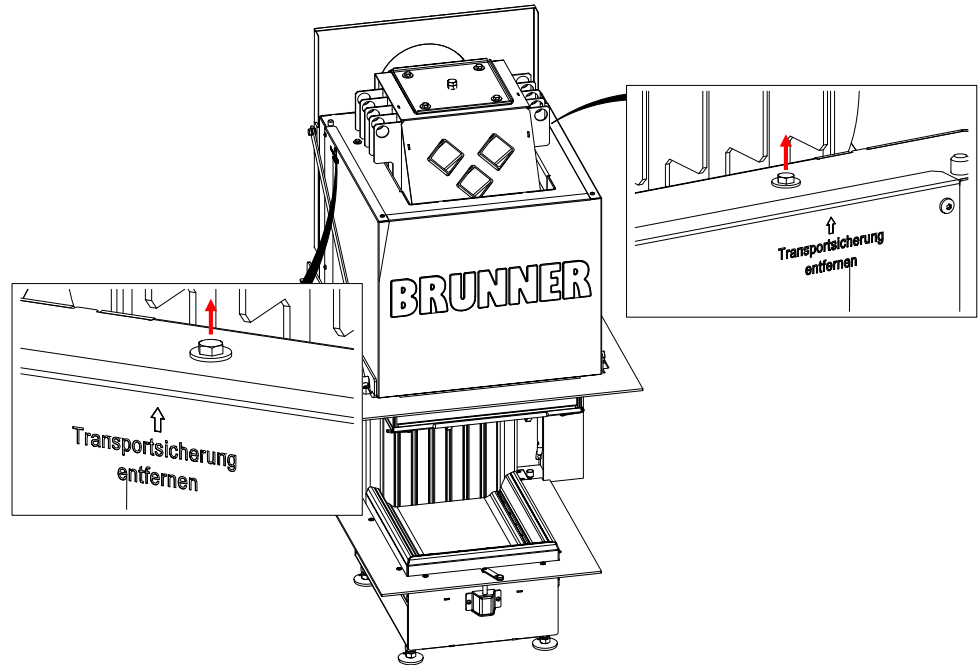
As long as the device is on the wooden pallet, it can be transported with a hand truck or forklift as usual.

4.1.1 REMOVE THE TRANSPORT LOCKS

4.1.1.1 BKH PANORAMA ST (LIFTING DOOR)

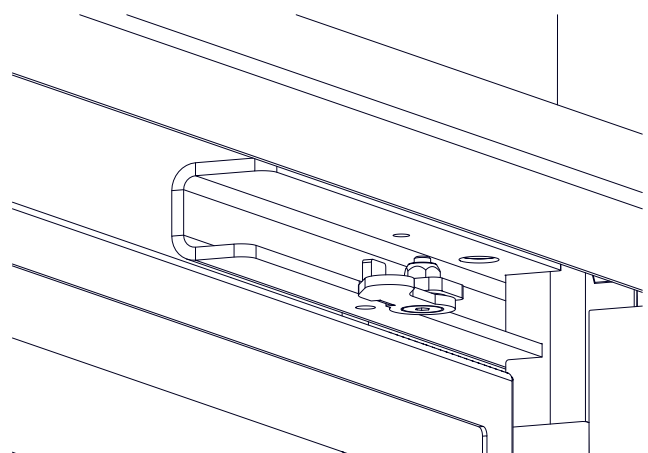
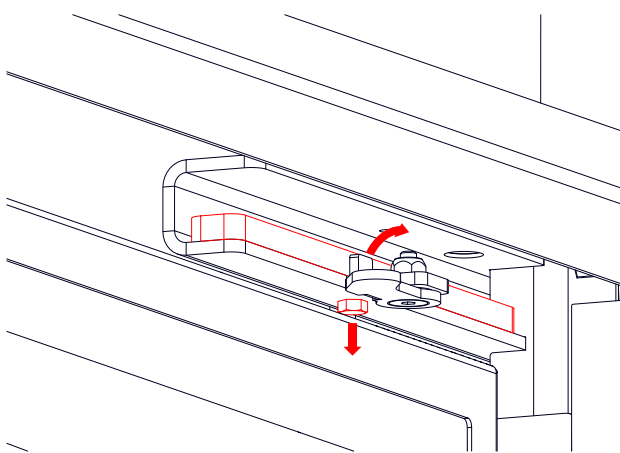
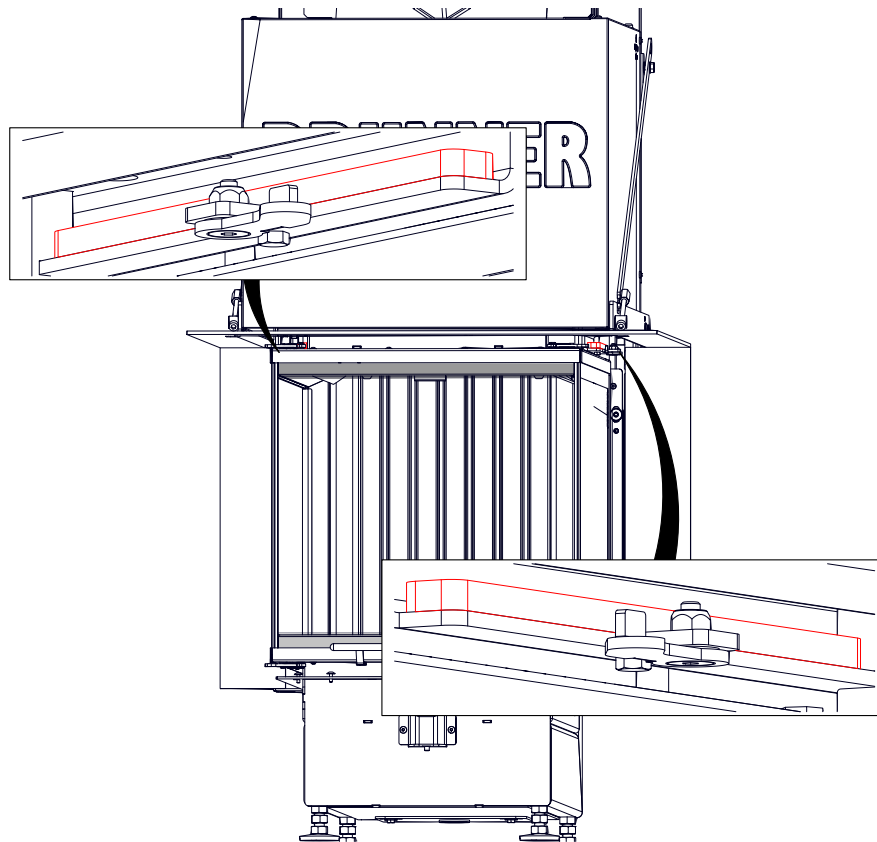


Remove the
transport lock!

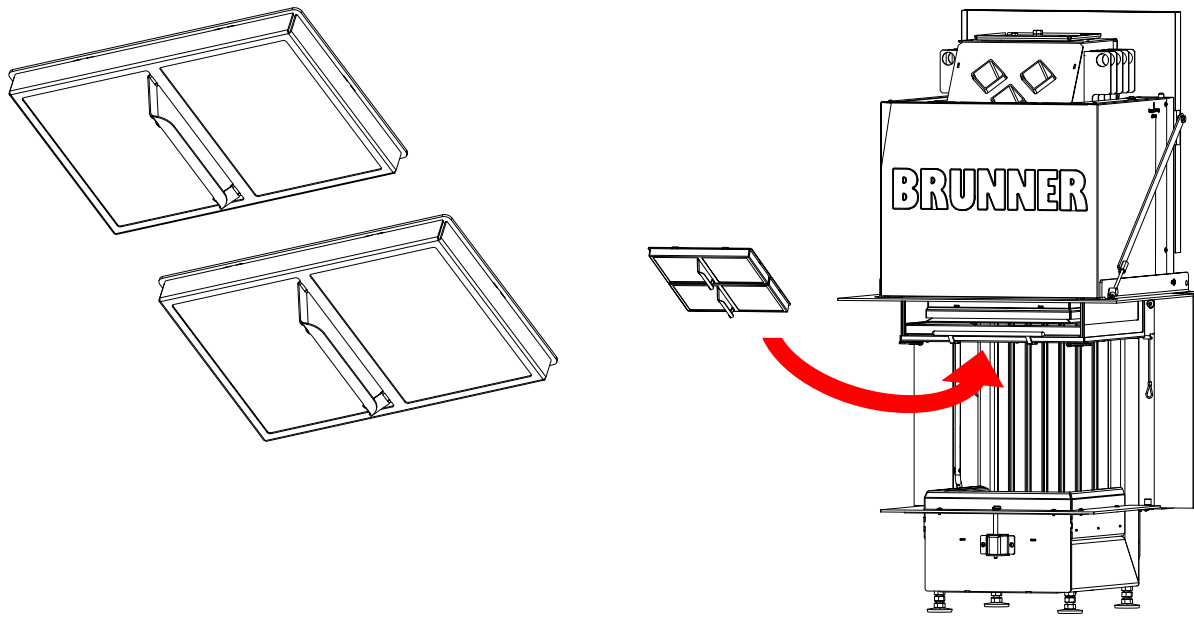


4.1.2 MODIFICATION: ADJUSTING OF SELF-CLOSING DOOR

Conversion to non-self-closing: remove counterweights on both sides

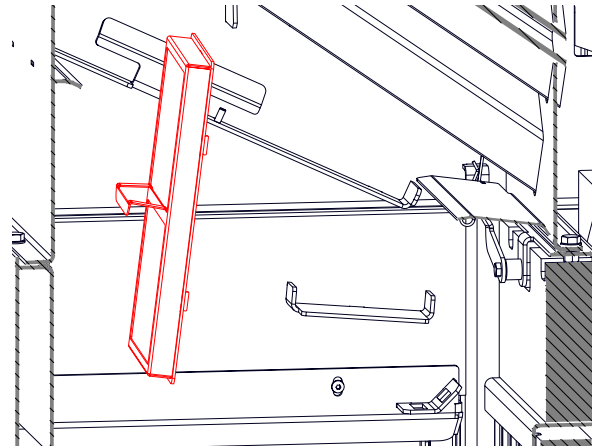
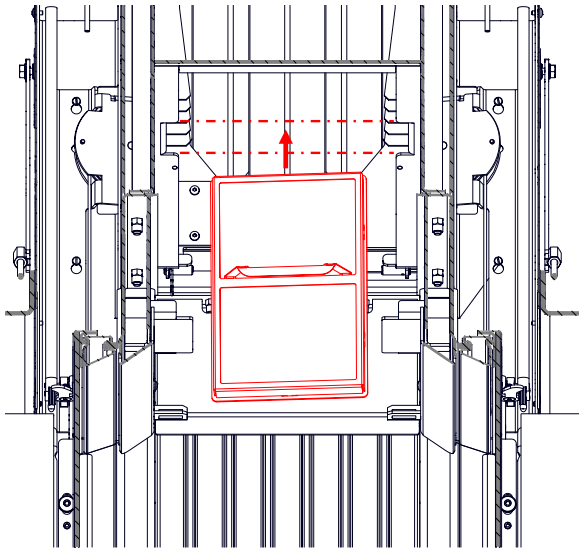


4.2 FITTING: CATALYTIC CONVERTER

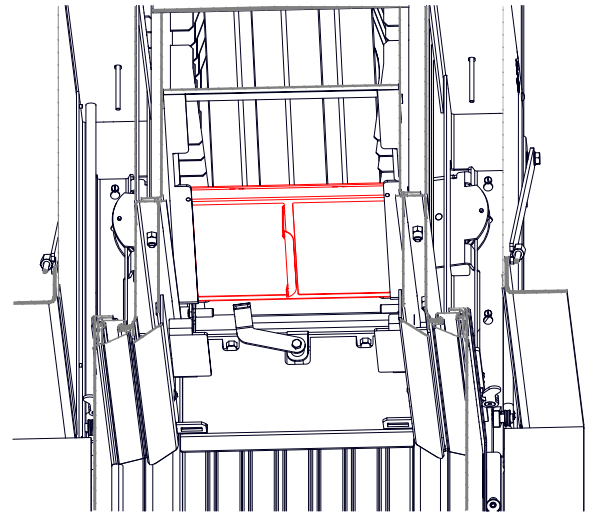
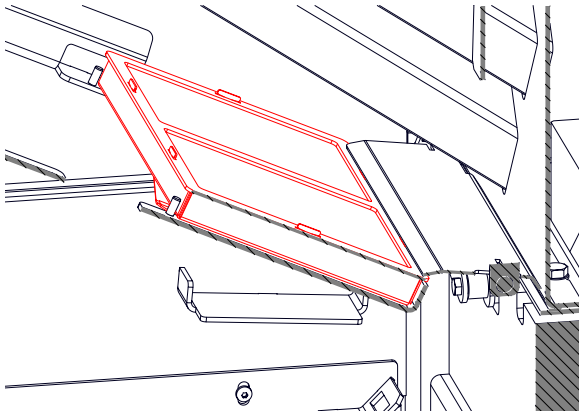


Summarised information

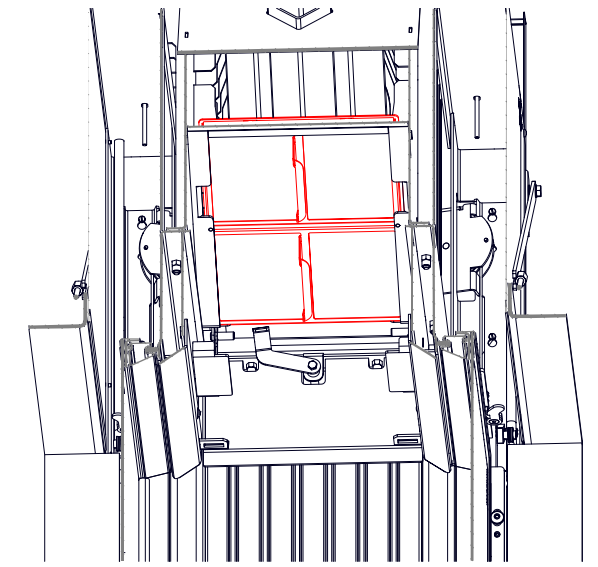
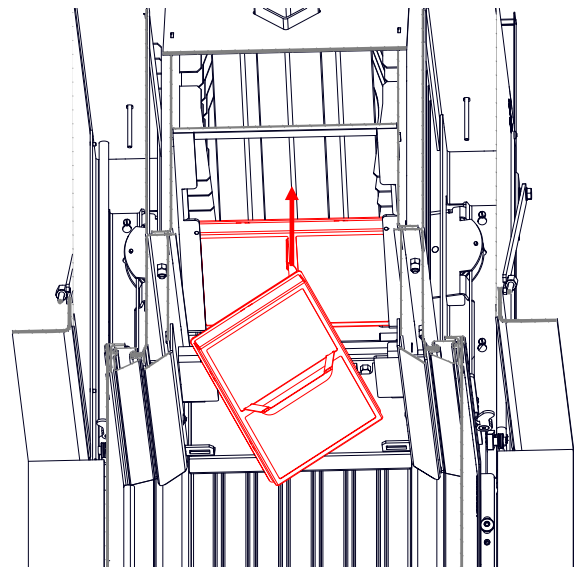
Workflow:

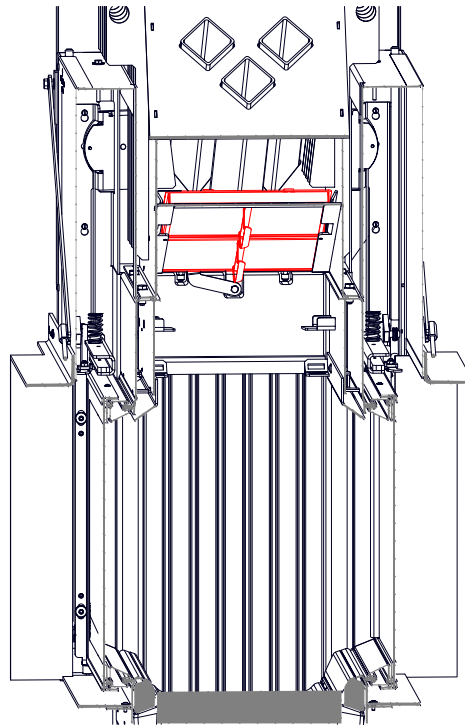


1

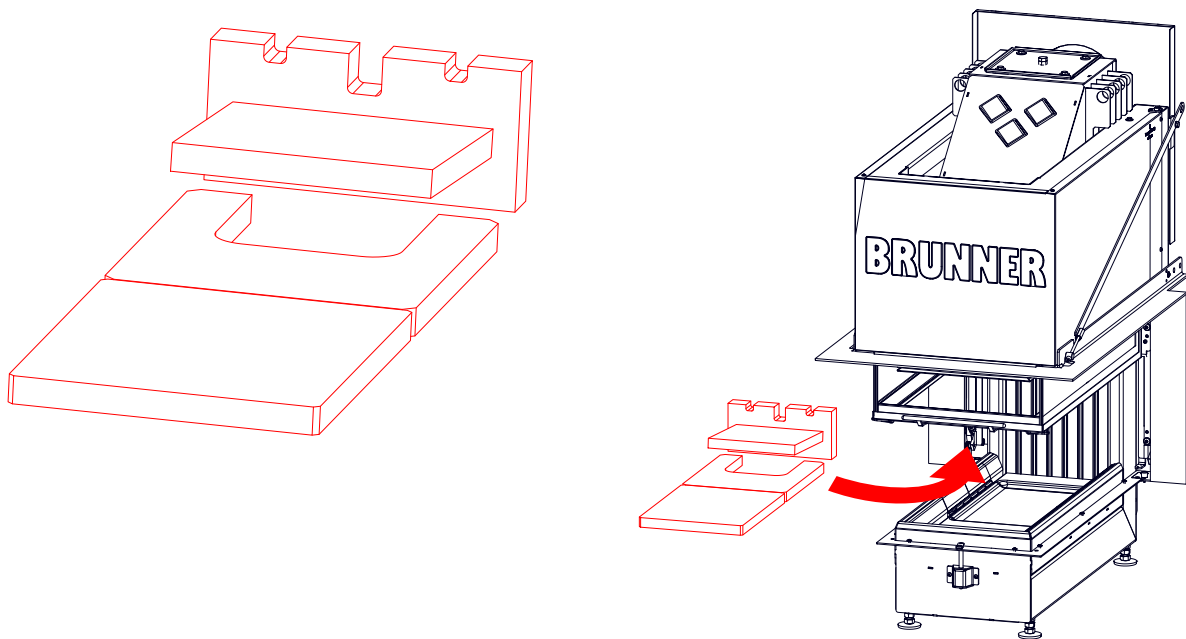


2





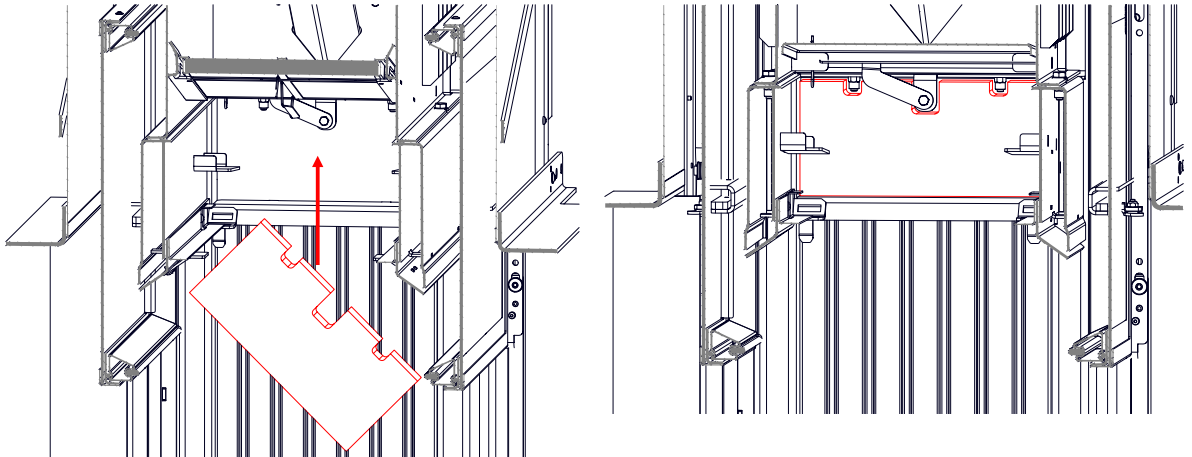
4.3 FITTING: DEFLECTION



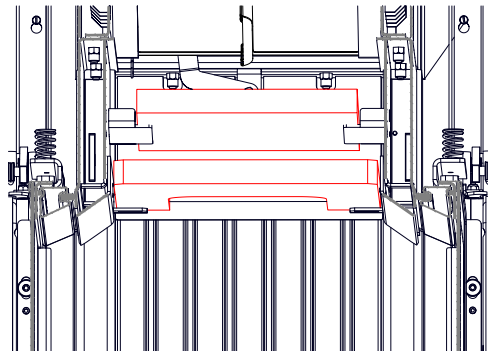
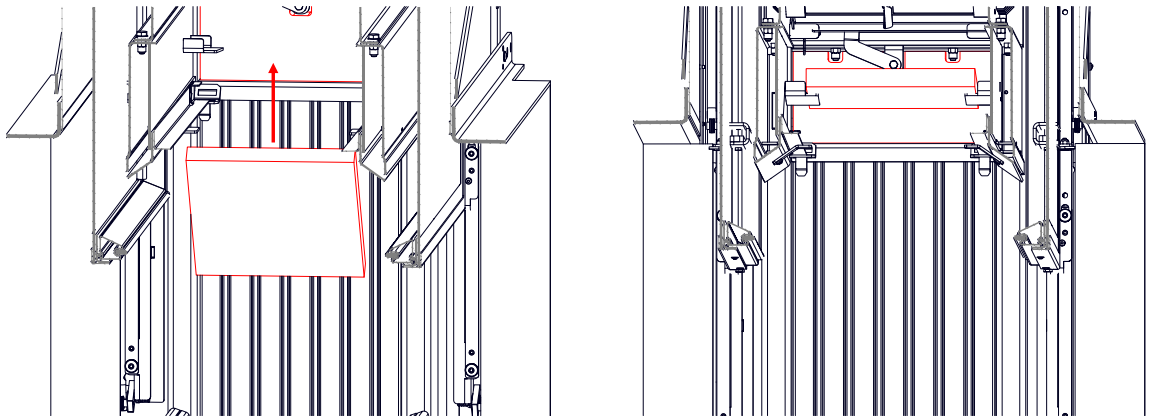
Summarised information

Workflow:

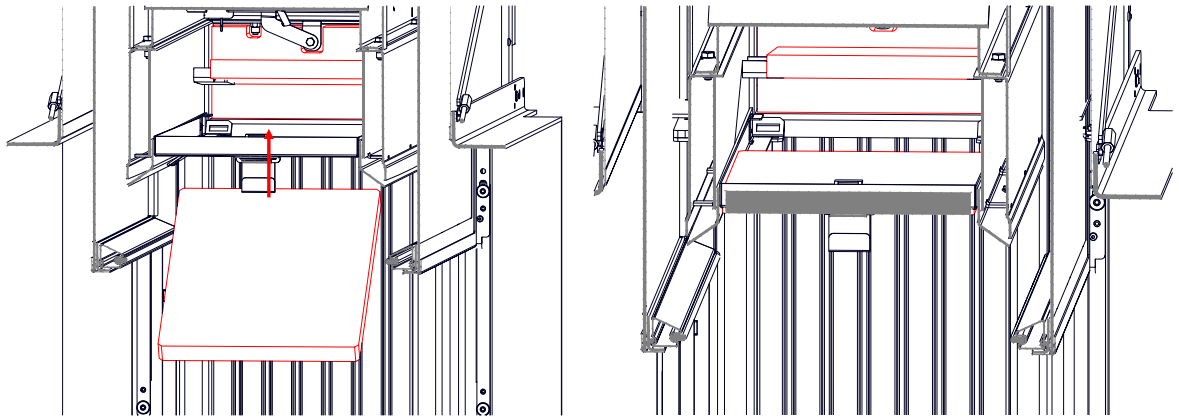
1



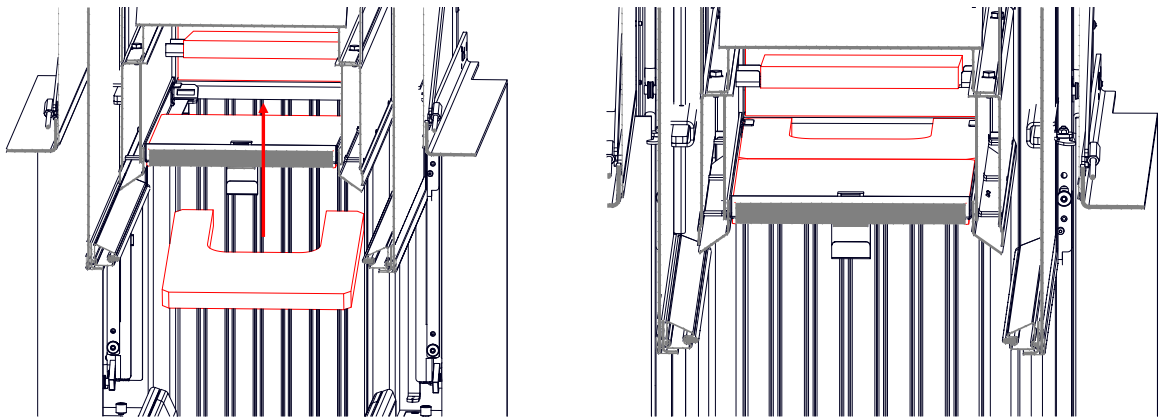
2



3



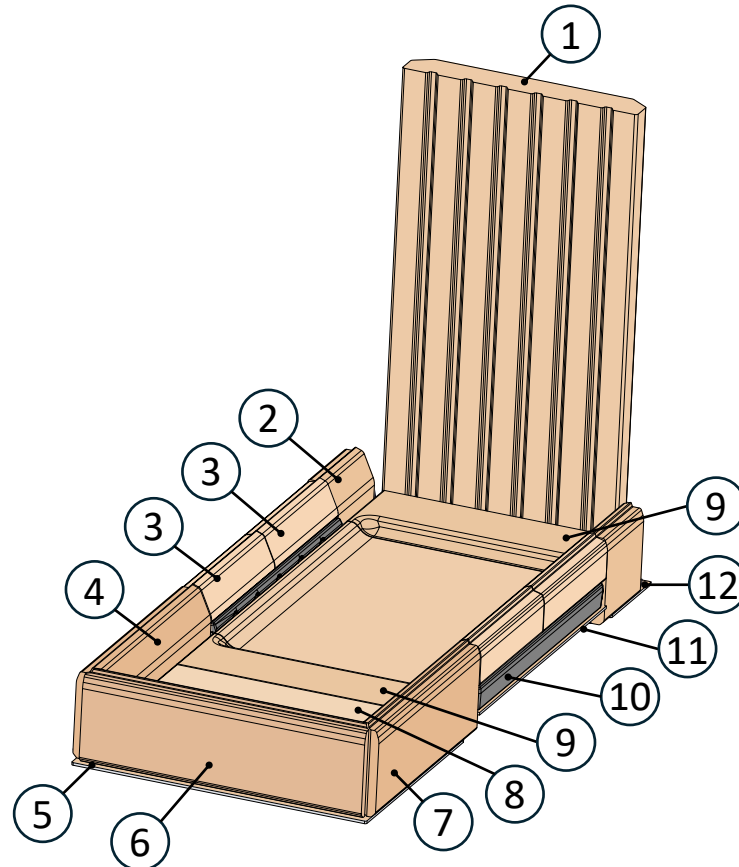
4



4.4 VARIANTS COMBUSTION CHAMBER LINING

4.4.1 CHAMOTTE INNER LINING

Panorama 45-80-45-80 (HK052200-01)



Position	Designation	Art. No.	Pcs.
1	Stone 542x275x40	HK000263	1
2	Wedge stone 100x105x40	HK000299-01	2
3	Wedge stone 175x53x40	HK000277-01	4
4	Wedge stone 280x105x40	HK000291-01	1
5	Sealing	HK000058	1
6	Wedge stone 330x105x40	HK000267-01	1
7	Wedge stone 280x105x40	HK000292-01	1
8	Bottom stone extension 270x148	HK000280-01	1
9	Bottom stone extension 270x100	HK000272-01	2
10	Cast air distributor	HK000098	2
11	Bottom insulation	HK0520211	1
12	Sealing	HK000058	1



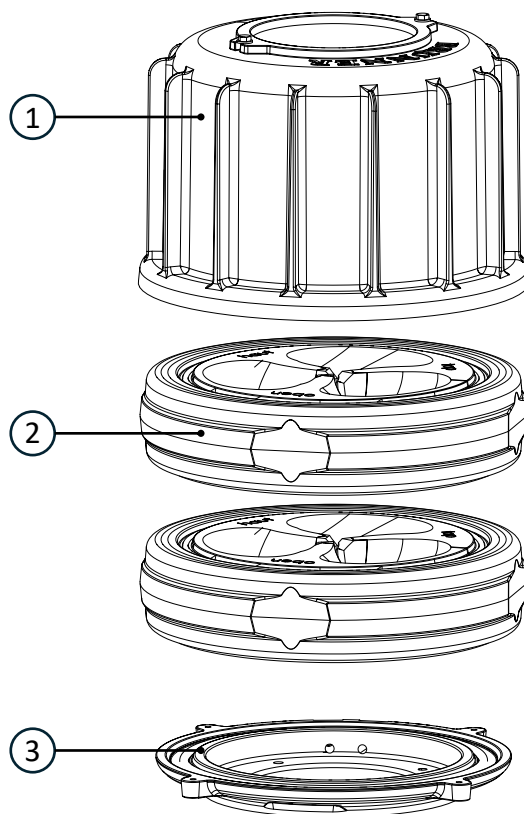
Chamotte inner lining to be installed dry

4.5 VARIANTS HEAT EXCHANGER

4.5.1 MAS

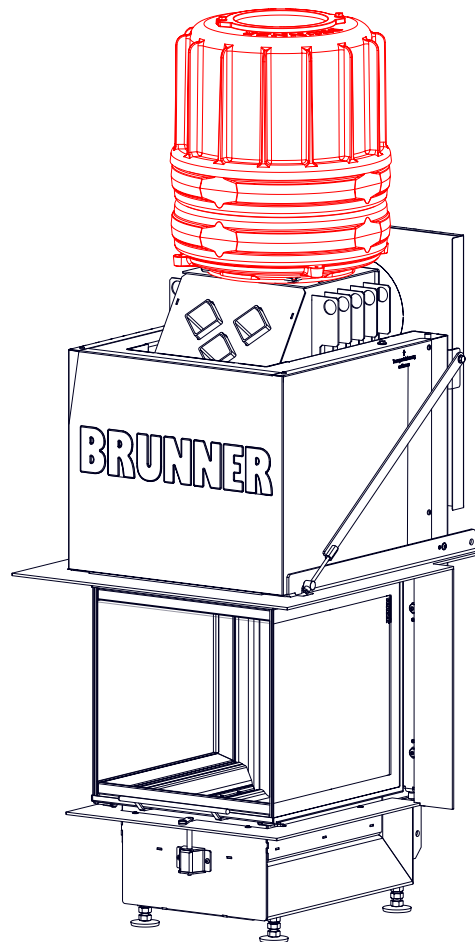
4.5.1.1 COMPONENTS MAS MODULAR TOP-MOUNT STORAGE SET 440

MAS modular top-mount storage SET 440 (SET213446)

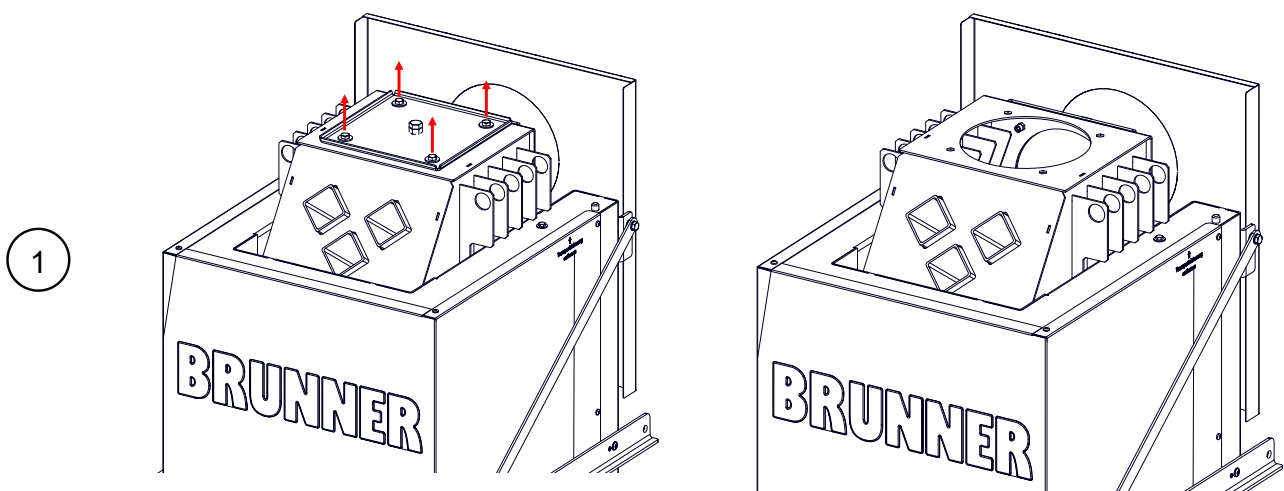


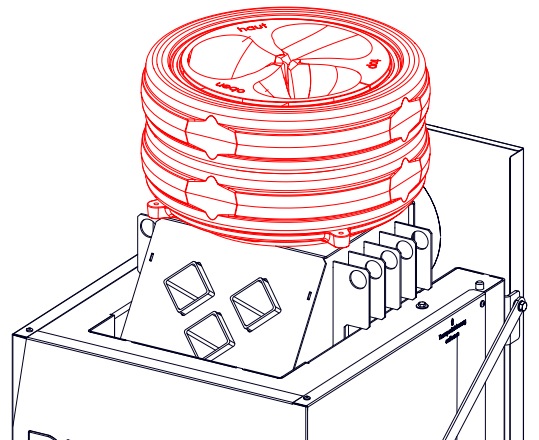
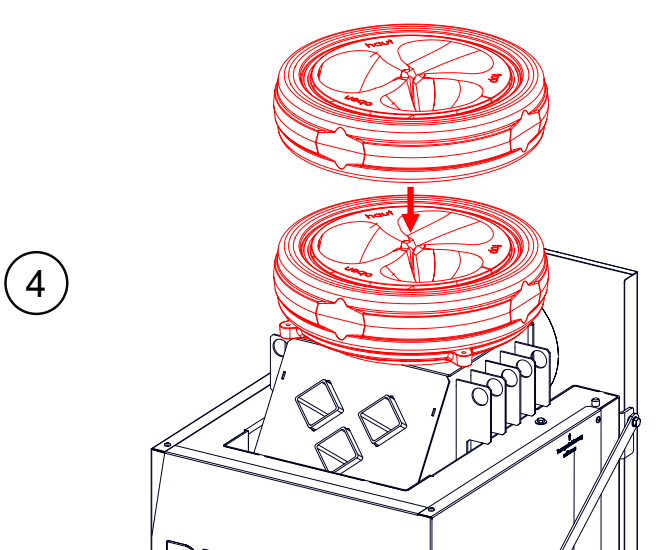
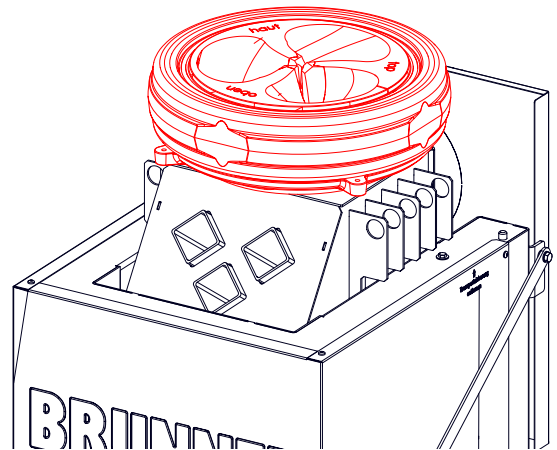
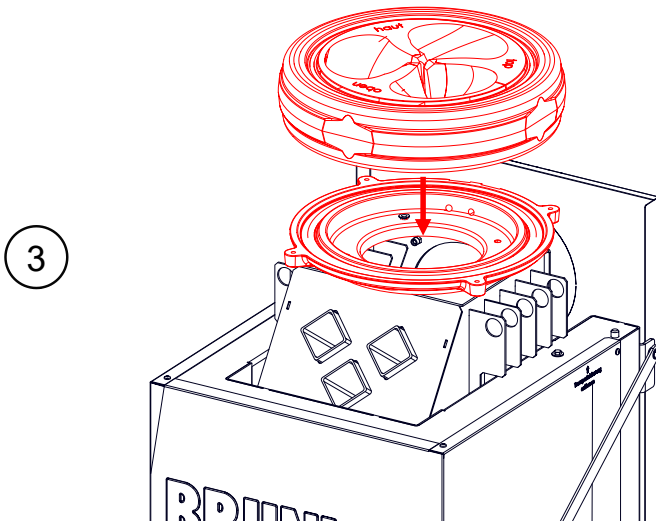
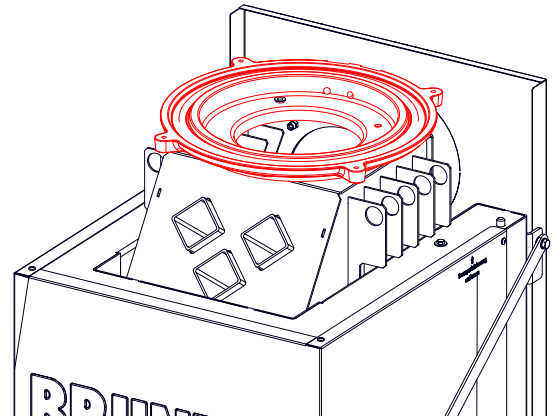
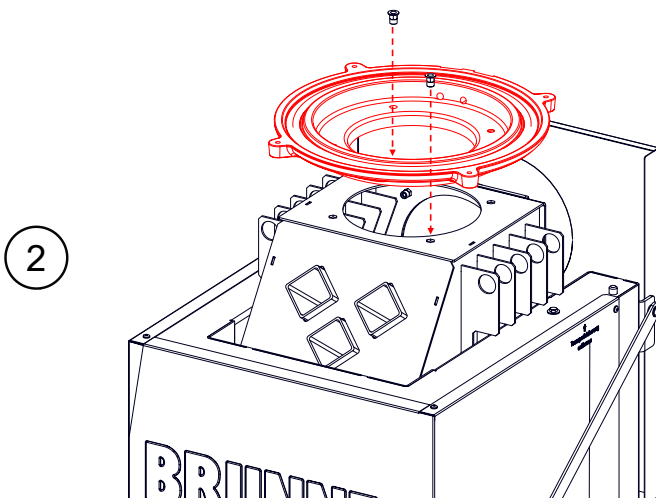
Position	Designation	Art.-Nr.	Pcs.
1	Cast iron dome ø 180 mm	R009095-01	1
2	MAS 440 accumulation stone double-layered	R009042	2
3	Mounting ring	10085.1	1

4.5.1.2 FITTING: MAS MODULAR TOP-MOUNT STORAGE SET 440

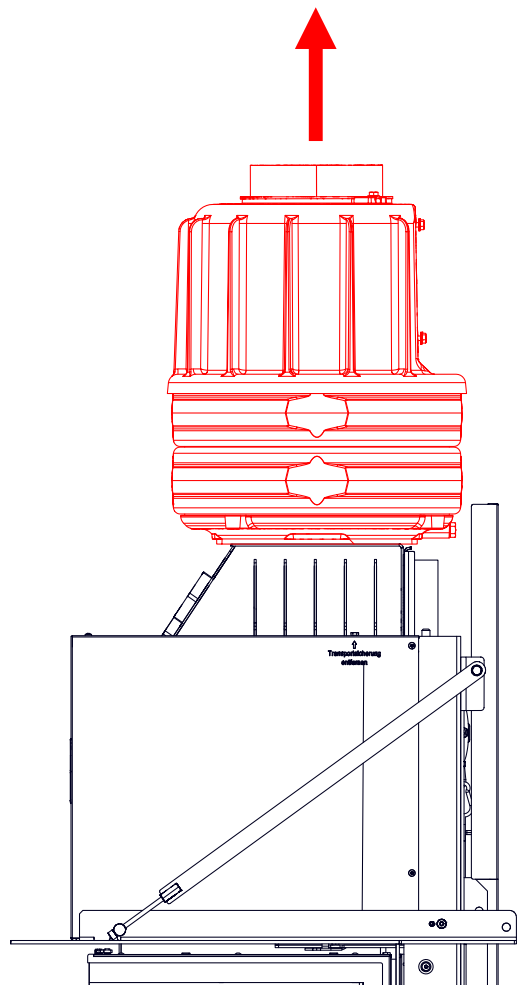
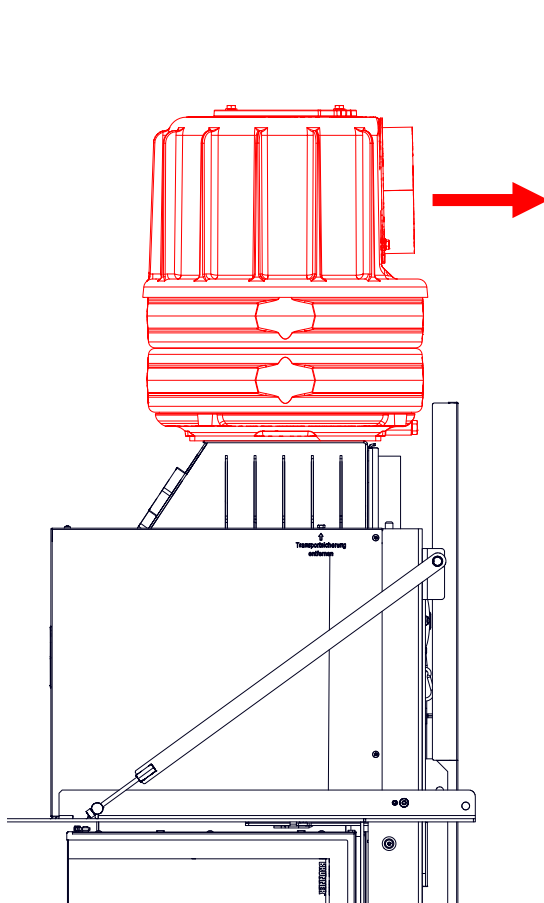
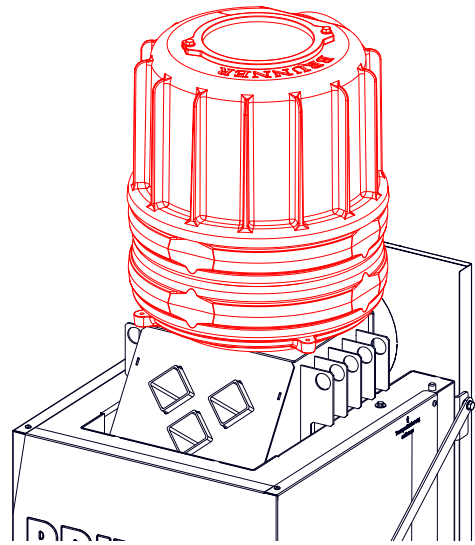
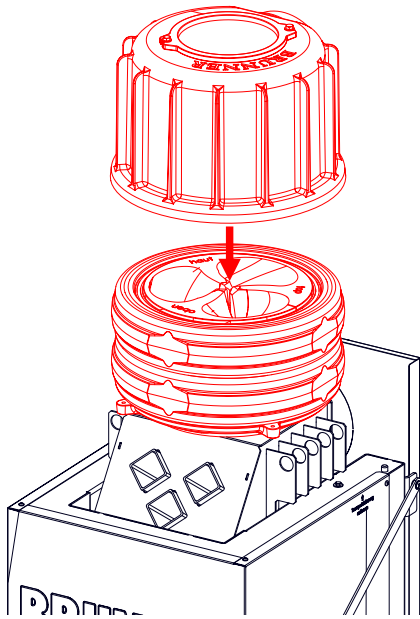


Workflow





5



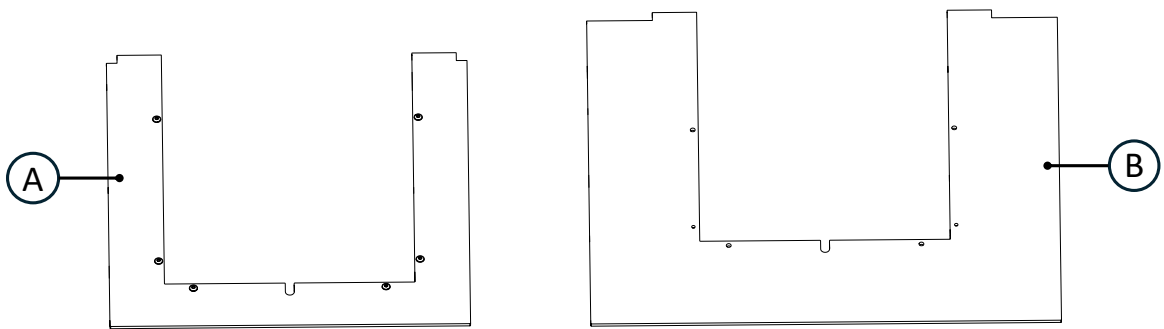
NOTICE

Ensure correct position after fitting the cast iron dome!

During installation, the cast dome can shift so that it no longer sits correctly aligned on the mounting ring.

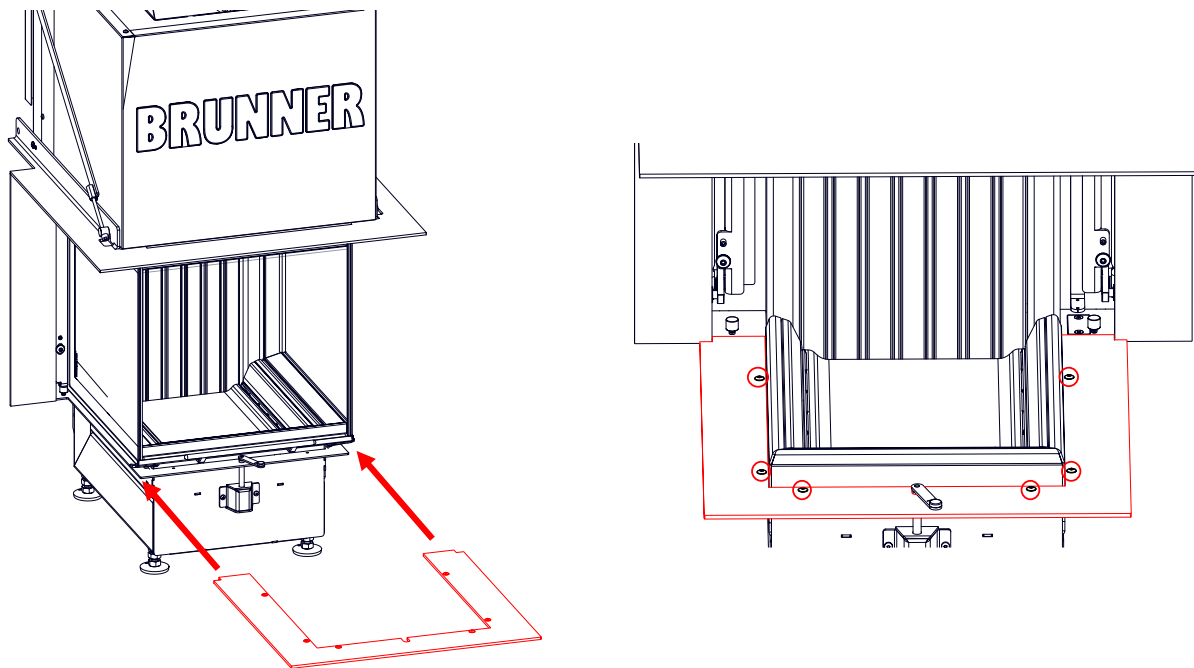
- ▶ Check with light test: Illuminate the combustion chamber to make any gaps between the mounting ring and the cast iron dome visible.

4.6 VARIANT: MOUNTING BRACKET - WIDE FRAME



A: Mounting bracket

B: wide frame



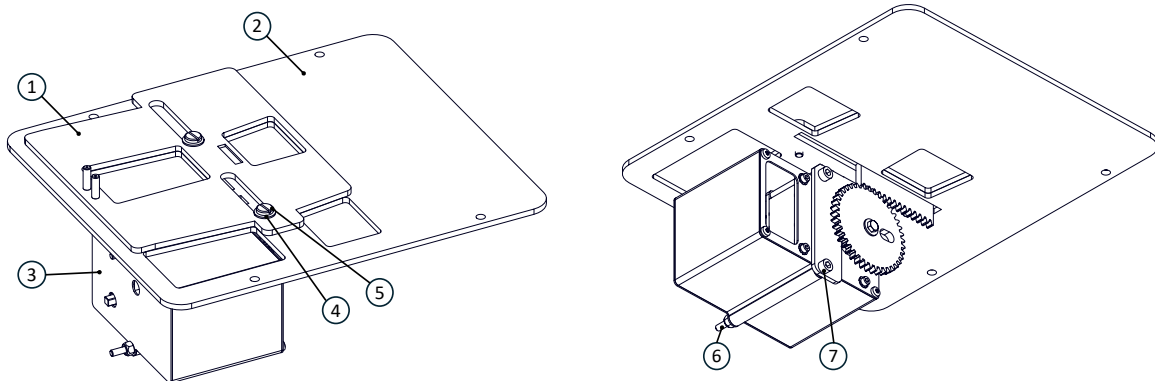
Summarised information

4.7 VARIANT: EOS

4.7.1 BOTTOM COVER AIR BOX EOS

4.7.1.1 COMPONENTS EOS

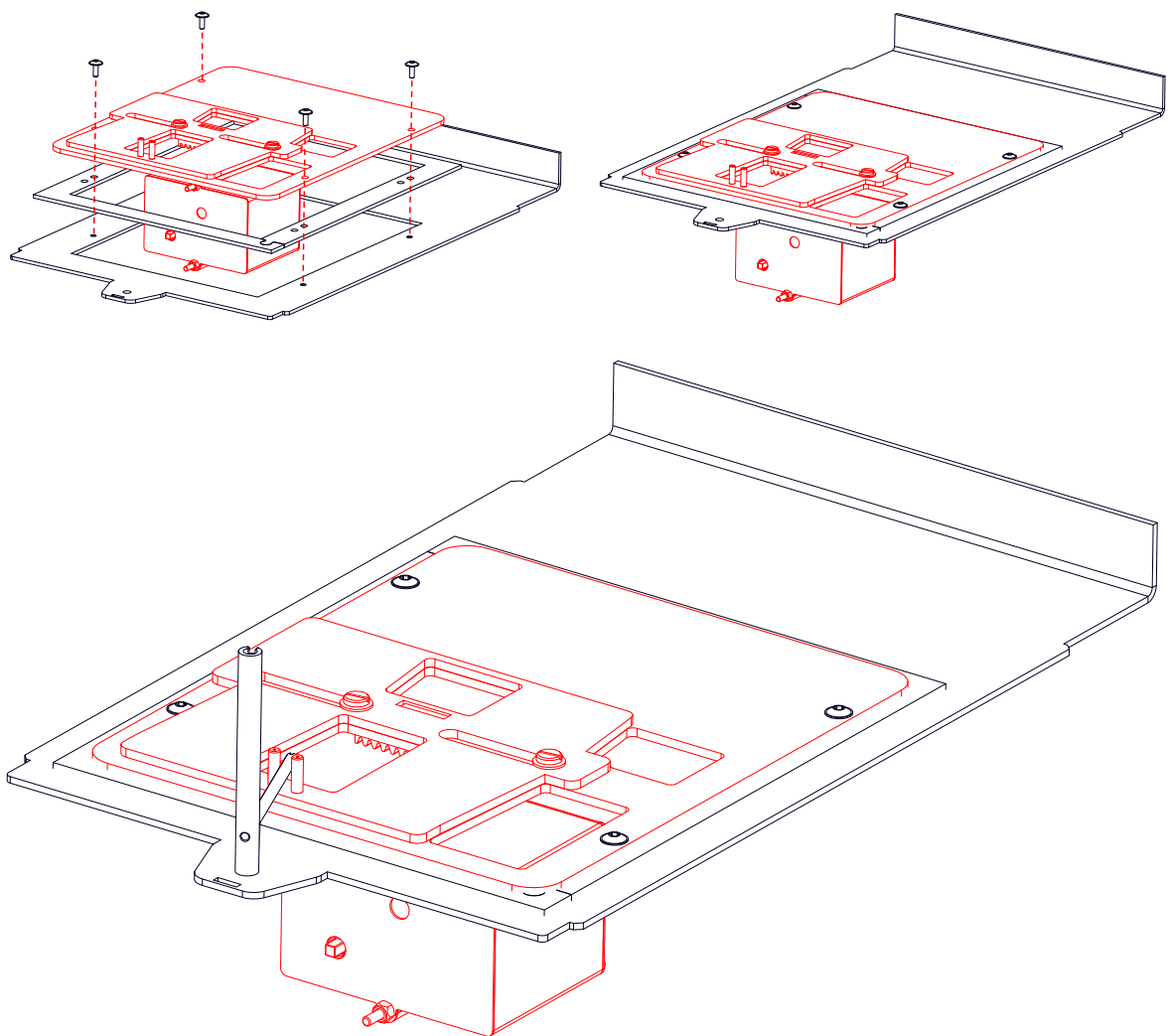
BG Bottom cover Air box small EOS (HK000064)



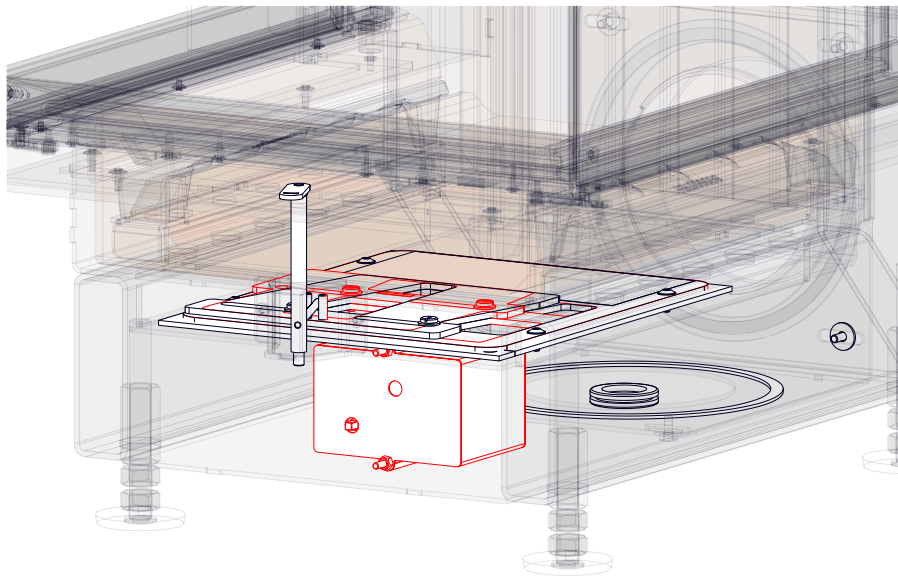
Position	Designation	Art.-Nr.	pcs
1	Air slide plate small EOS	HK000232	1
2	BG Bottom cover Air box small EOS	HK000219	1
3	BG Servomotor EOS with Gear wheel	N003157	1

Position	Designation	Art.-Nr.	pcs
4	Collar bushing	I007337	2
5	Flat head screw (M5x6)	800461	2
6	hexagon nut with Clamping part	800155	2
7	Cylinder head screw (M5x100)	800035	2

4.7.1.2 FITTING: EOS

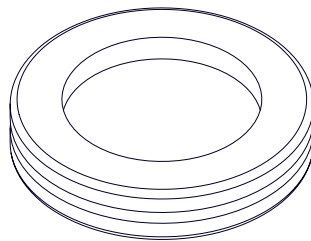


1

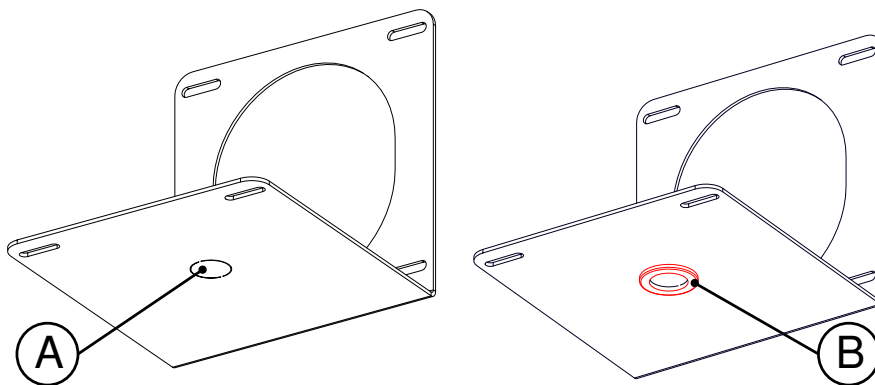
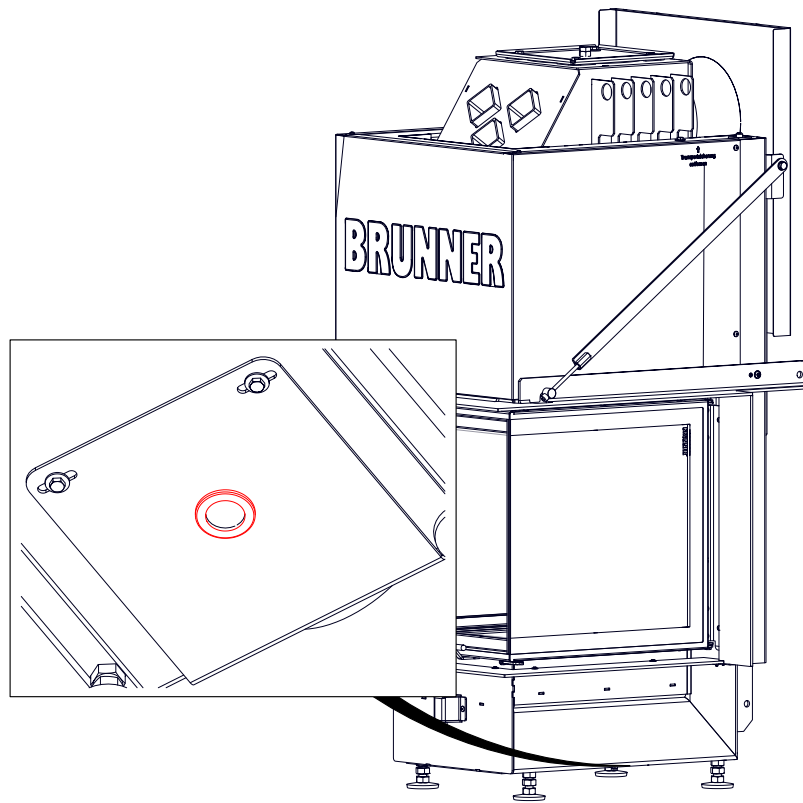


4.7.1.3 MEMBRANE FEED-THROUGH

Membrane feed-through (901248)



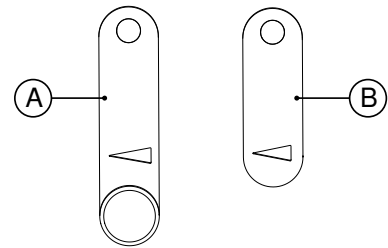
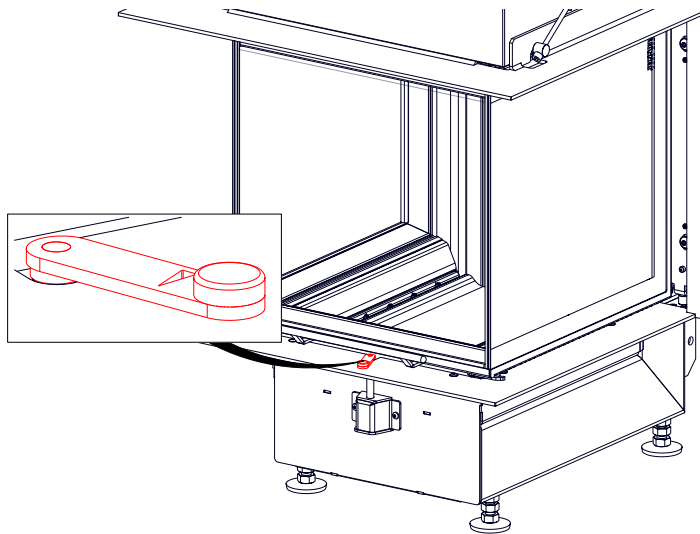
Position



A = BKH Panorama

B = BKH Panorama with EOS

4.7.1.4 AIR POSITION INDICATOR PANORAMA



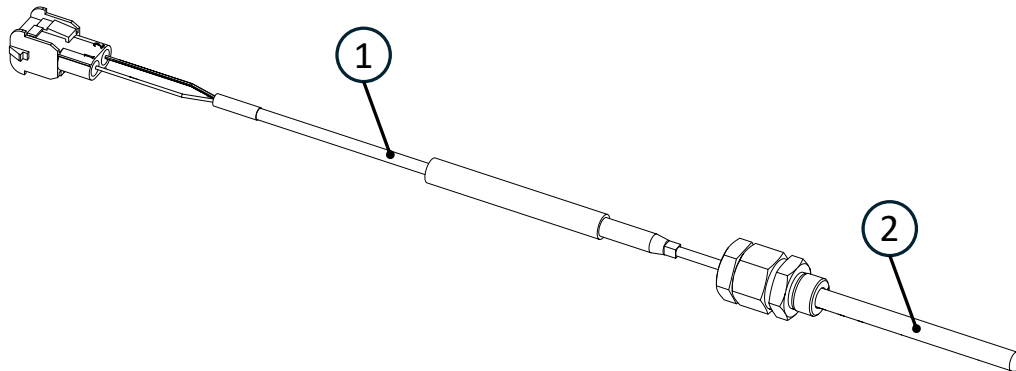
A = BKH Panorama

B = BKH Panorama with EOS

4.7.2 THERMOCOUPLE

4.7.2.1 COMPONENTS THERMOCOUPLE

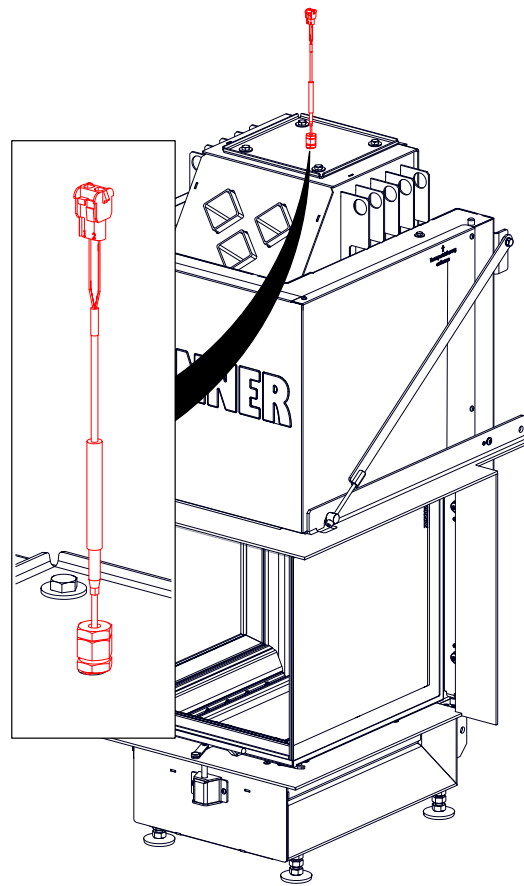
Thermocouple (10994.1)



Position	Designation	Art.-Nr.	Pcs.
1	Thermocouple	Z020020-01	1
2	Thermowell	00017.1	1

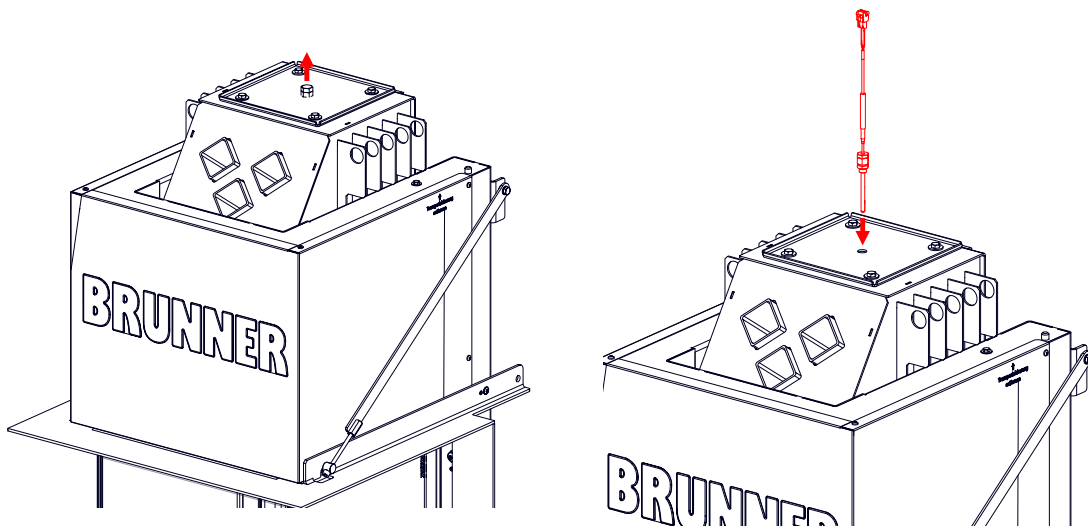
4.7.2.2 FITTING: THERMOCOUPLE

Position



Workflow

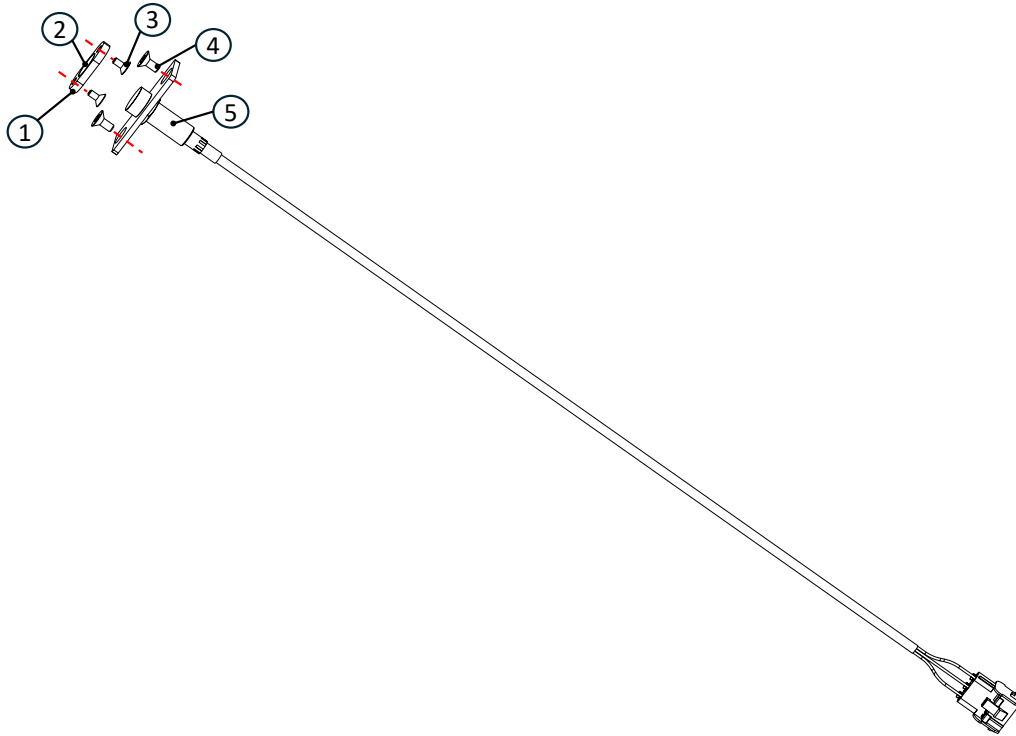
1



4.7.3 DOOR CONTACT SWITCH

4.7.3.1 COMPONENTS DOOR CONTACT SWITCH

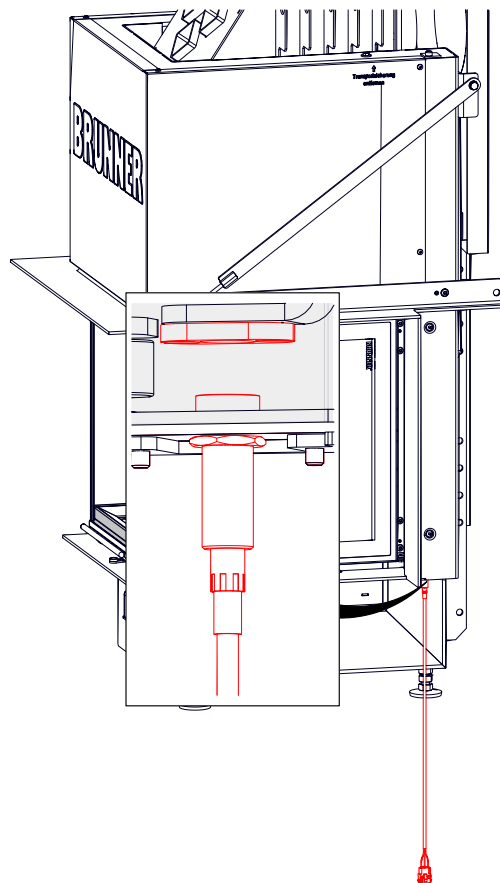
BG Door contact switch ges. (E011001)



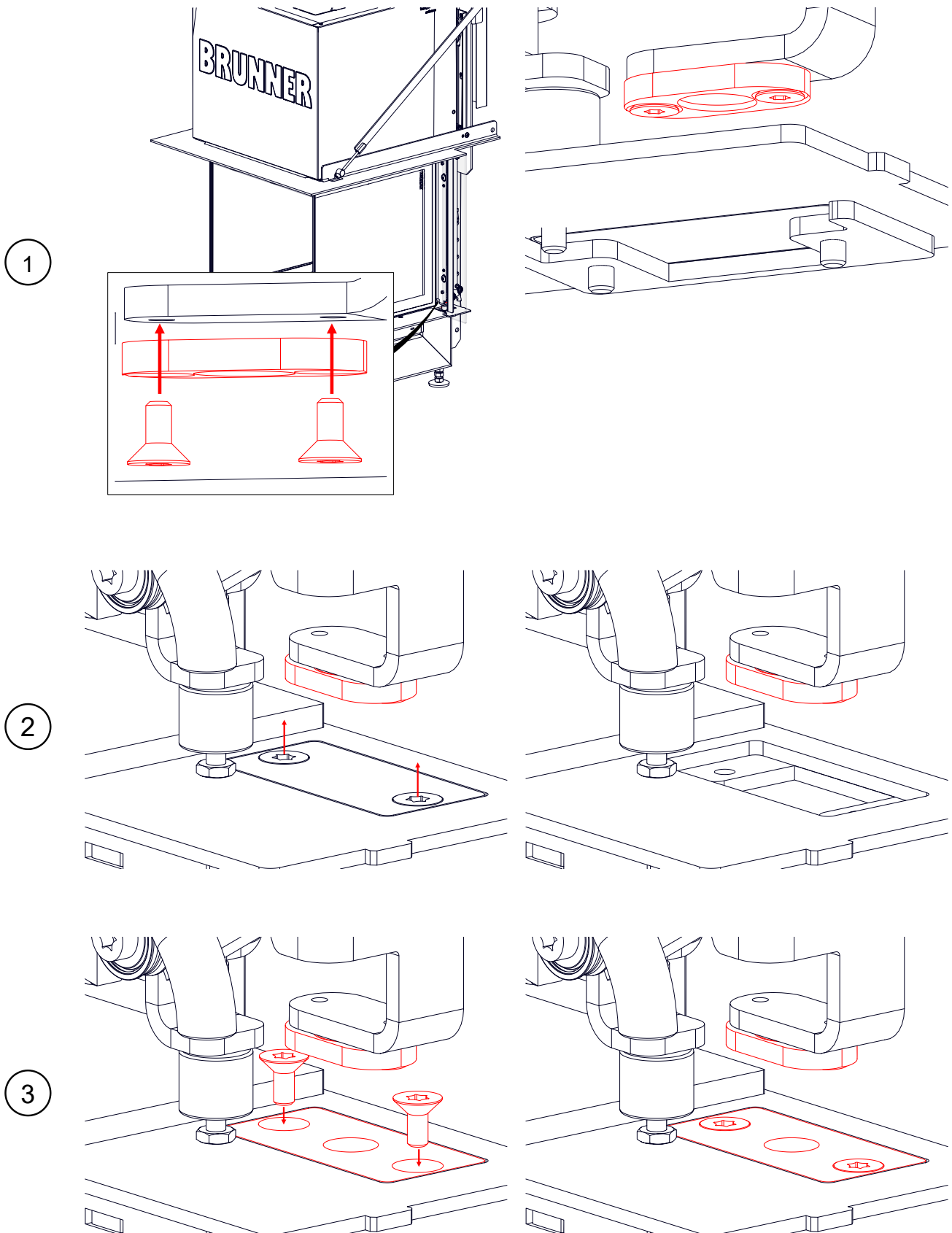
Position	Designation	Art.-Nr.	Pcs.
1	Retaining plate Magnet	E011011	1
2	Magnet	903324	1
3	Countersunk screw (M4x8)	800063	2
4	Countersunk screw (M5x10)	800184	2
5	BG Door contact switch	E011003	1

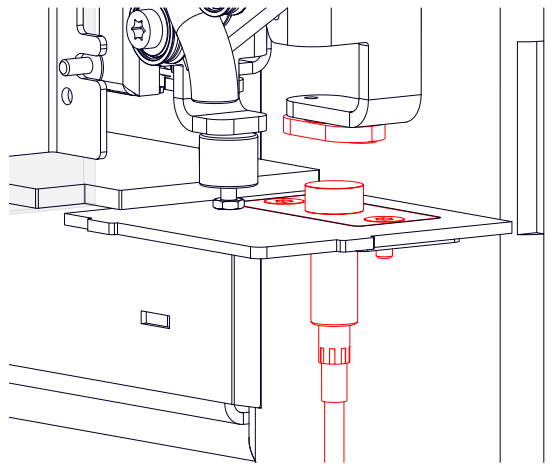
4.7.3.2 FITTING: DOOR CONTACT SWITCH

Position



Workflow





5 DISPOSAL

Old equipment contains valuable materials that must be recycled. Observe the applicable national legal regulations for disposal.



Danger of electrocution.

Electrical connections of the furnace system are under mains voltage. This can lead to electric shock.

Switch off the power supply

Secure power supply against restart.

Old metal parts can be disposed of as metal recycling.

Electrical and electronic components must be disposed of as electronic waste. Fireclay linings can be disposed of as rubble.

Fireclay linings can be disposed of as rubble.

Dispose of insulating and insulating materials of the heating or fireplace insert in a closed container on a suitable waste disposal site.

Do not put the glass ceramic discs in the waste glass collection container! The glass panes can be disposed of as normal household waste.

Recycling of catalytic converters containing precious metals

Oxidative catalytic converters, as installed in modern wood stoves, are very effective at reducing emissions of carbon monoxide and hydrocarbons. This is possible, because precious metals like platinum, palladium and rhodium are used on the surface of catalytic converters. These precious metals are distributed very evenly in very small amounts on the surface of catalytic converters. Over the years, the abrasive effect of particles streaming through the catalytic converter will cause the partial diminishing of the coating containing precious metals. Continuous overheating of catalytic converters ($T > 700\text{ °C}$) will damage the coating. In certain cases, the catalytic converter should be replaced and a new converter must be installed to ensure the catalytic effect.

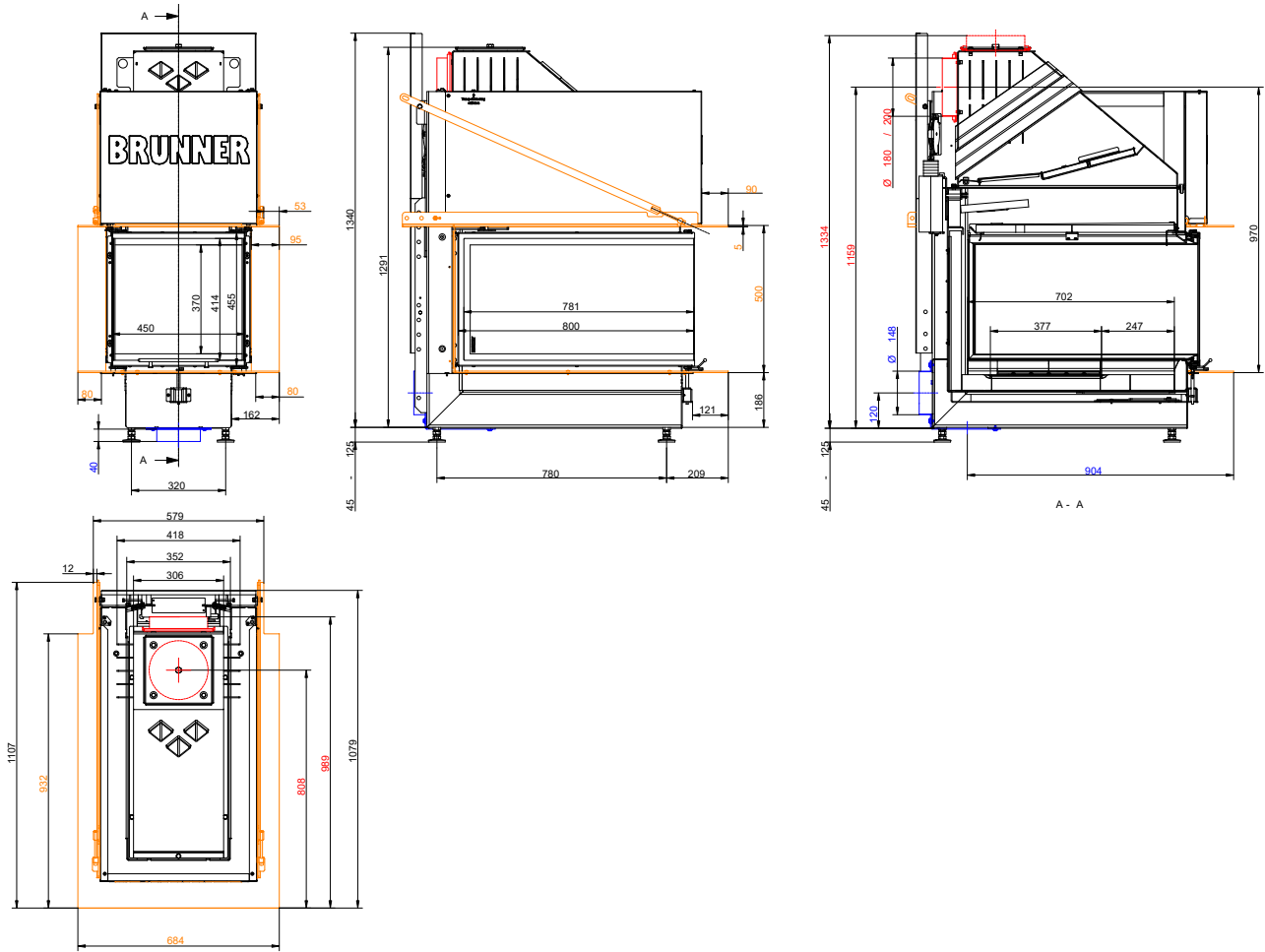
Used catalytic converters are suitable for re-use. Even if they are broken or damaged, they are suitable for recycling.

Contained precious metals can be recovered by thermal or chemical separation techniques to almost 90%, and then used again in the manufacturing process.

Please bring the used catalytic converter to a recycling center.

Thank you very much for your efforts in supporting the protection of environment and sustainable use of resources.

Dimension sheets - BKH Panorama 45-80-45-80 green

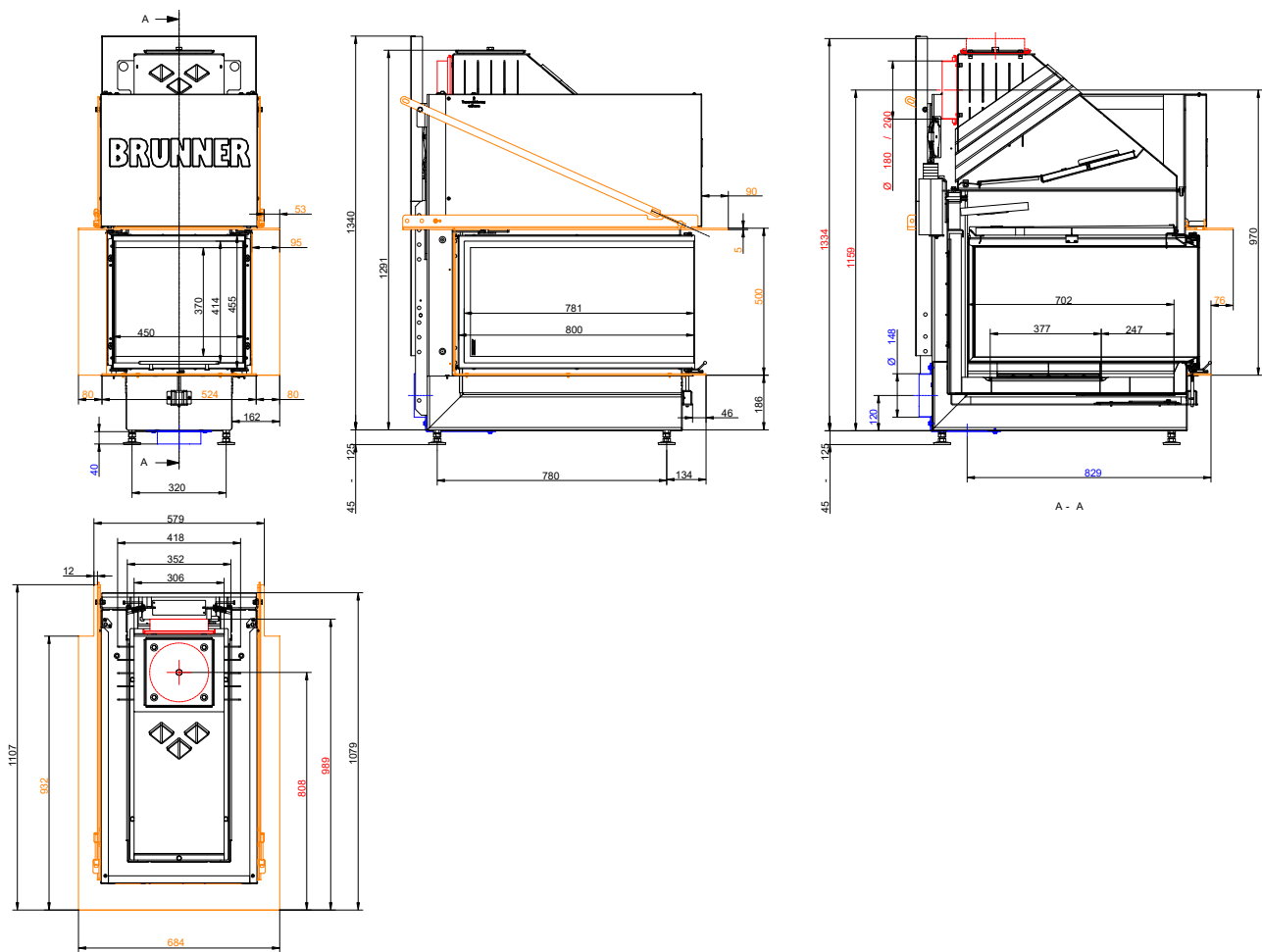


... with steel smoke hood and wide frame



... detail wide frame (schematic)

Dimension sheets - BKH Panorama 45-80-45-80 green

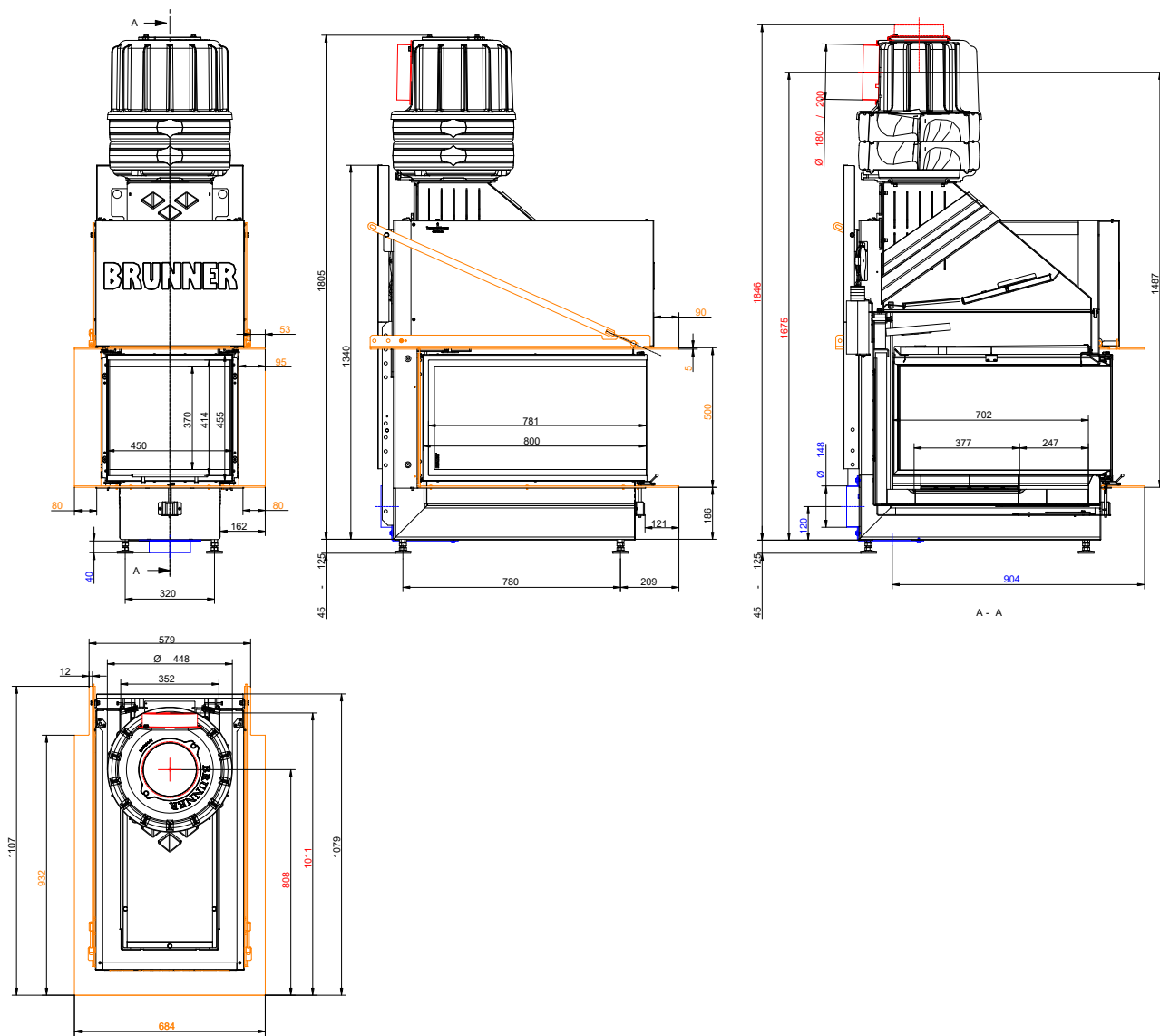


... with steel smoke hood and narrow frame



... detail narrow frame (schematic)

Dimension sheets - BKH Panorama 45-80-45-80 green

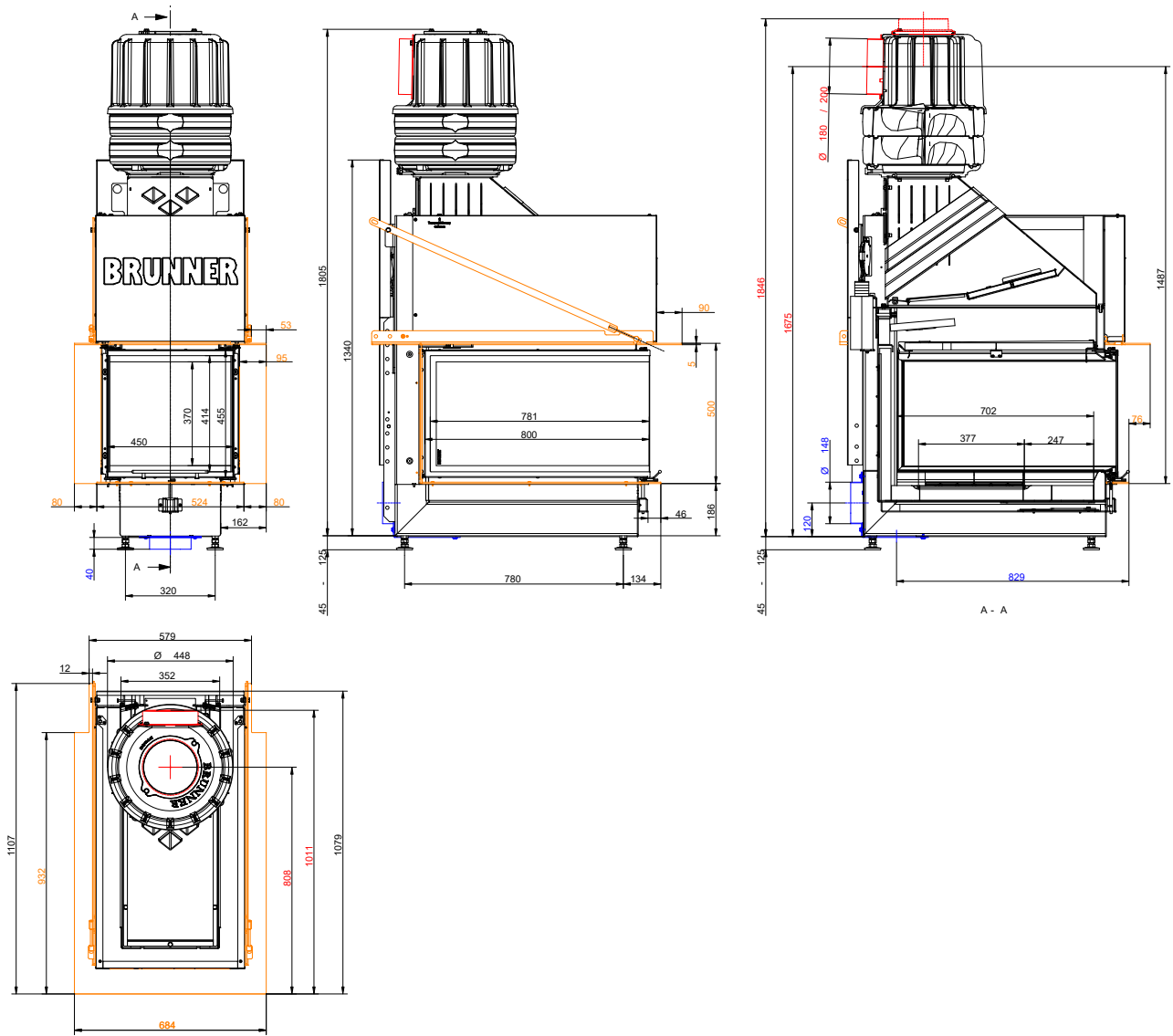


... with steel smoke hood + MAS and wide frame



... detail wide frame (schematic)

Dimension sheets - BKH Panorama 45-80-45-80 green



... with steel smoke hood + MAS and narrow frame



... detail narrow frame (schematic)

We suggest for CAD planning Palette CAD. Permanent updated drawings: www.brunner.de
 Frames/ flue gas outlet connection/ combustion air supply connection/ front variants/ support bearing are marked in color.

Planning and installation - BKH Panorama 45-80-45-80 green

Tested according to		EN 13229 W	EN 13229 WA
Values measured at		Rated power ¹⁾	Storage operation ²⁾
Data for functional demonstration			
Rated heat power	kW	11	-
Fire wood volume	kg/h	3.3	4.5
Combustion performance	kW	13	22
Flue gas mass flow	g/s	12	19
Flue gas temperature after:			
steel smoke hood	°C	200	250
2 x accumulation rings incl. MAS casted cover ³⁾	°C	-	180
Necessary supply pressure	Pa	12	12
Fuel amount	kg	2.5	5.0
Combustion air consumption	m ³ /h	32	48
Combustion air connection Ø	mm	150	150
Heat distribution			
Insert / reheating surface	%	30 / 30	30 / 30
glass ceramic / glass ceramic coated (GKB)	%	40 / 30	40 / 30
Cross-section of gratings ⁴⁾			
exhaust warm air	cm ²	900	900
Recirculation air	cm ²	900	900
Minimal oven surface for closed construction type			
Heat dissipating surface	m ²	4.5	4.5
Minimal distances of the fireplace			
Heat protection panel for cladding, insulation layer	cm	3	3
to cladding, insulation layer	cm	5	5
to the floor (non-combustible)	cm	3	3
Fire protection with active rear ventilation, intermediate space			
Minimum insulation thickness for construction : insulation material 5 cm rear active ventilation wall ⁵⁾			
for mounting wall (combustible/non-combustible)	cm	5	5
Minimum insulation thickness for construction: insulation material 30 cm closed gap ceiling ⁶⁾			
for ceiling (combustible)	cm	10	10
Fire protection with adequate insulation material			
Minimum insulation thickness for construction: insulation material mounting wall, ceiling, floor ⁶⁾			
with heat protection panel, mounting wall (non-combustible) ⁷⁾	cm	6	6
with heat protection panel, mounting wall (combustible) ⁷⁾	cm	12	12
Mounting wall (non-combustible)	cm	8	8
Mounting wall (combustible)	cm	18	18
Ceiling (non-combustible)	cm	8	8
Ceiling (combustible)	cm	22	22
Floor (non-combustible)	cm	0	0
Minimum distances in front of the combustion chamber, glass ceramic / glass ceramic coated (GKB)			
for combustible parts	cm	≥ 120 / ≥ 80	≥ 120 / ≥ 80
Weight			
Fireplace insert + combustion chamber inner lining chamotte/cast iron	kg	252 + 50 / 49	
Meets requirement/limit values for:			
EU / Germany	Ecodesign / 1. BImSchV (Stufe 2)		

1) Data on 'nominal output' determined with steel smoke hood ø200 mm and installed catalytic converter

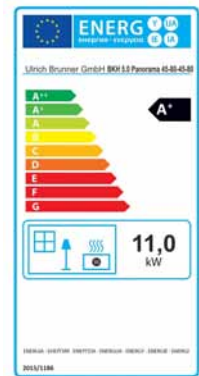
2) Information on "Storage operation" for the version with top-mount accumulator MAS.

Planning and installation - BKH Panorama 45-80-45-80 green

- 3) Damper flap recommended
- 4) Air cross-sections if the specified nominal heat output is desired as the heat output.
- 5) Fire safety: Values determined with air cross-sections recorded for testing purposes; active rear ventilation, stove shell is heat emitting.
Insulation thickness 5 cm calcium silicate board (brands: Promasil, Silka, Skamol) and 5 cm active rear ventilation with diagonally positioned air circulation and supply air openings of 75 cm² (5x15 cm) each. For detailed design, see assembly instructions.
- 6) Fire safety: values determined in safety test with air cross-sections recorded for testing purposes; stove shell is heat emitting.
Information on replacement insulation material with calcium silicate boards (brands: Promasil, Silka, Skamol).
The specifications for non-combustible walls/ceilings and the structure with a closed gap (30 cm) correspond to the specifications of TROL (Germany), see assembly instructions.
- 7) Heat protection plate: accessory for BKH flat/tunnel/corner versions; factory-fitted for BKH panoramic fireplaces.

Product data sheet according to (EU) 2015/1186:

Supplier's name or trademark	Ulrich Brunner GmbH
Model identifier:	BKH 5.0 Panorama 45-80-45-80
Energy efficiency class:	A
Direct heat output:	11,0 kW
Indirect heat output:	N.A. kW
Energy efficiency index:	112
Fuel energy efficiency (at nominal heat output):	85,0 %
Fuel energy efficiency (at minimum load):	N.A. %
Special precautions: see supplied product documentation	

**Ulrich Brunner GmbH**

Zellhuber Ring 17-18

D-84307 Eggenfelden

Phone: +49 (0) 8721/771-800

E-Mail: info@brunner.de

Copyright

All information, drawings and technical descriptions contained in this documentation are our property and may not be reproduced without prior written permission.

® **BRUNNER** is a registered trademark.

Subject to technical changes and errors.

© by Ulrich Brunner GmbH

Art.-Nr.: 203078