

# Installation Manual

BKH 5.0 Panorama  
45-35-60-35

*green*

©2025

**BRUNNER®**

# CONTENTS

<b>1</b>	<b>Basic informations.....</b>	<b>3</b>
1.1	Specified symbols.....	3
<b>2</b>	<b>Safety.....</b>	<b>5</b>
2.1	Safety precautions.....	5
2.2	Fire protection.....	6
2.2.1	Mounting wall / Ceiling non-combustible.....	7
2.2.2	Mounting wall / Ceiling combustible (U-value > 0,4 W/m <sup>2</sup> K).....	8
2.2.3	Mounting wall / Ceiling combustible (U-value < 0,4 W/m <sup>2</sup> K).....	11
<b>3</b>	<b>Delivery contents BKH Panorama 45-35-60-35.....</b>	<b>12</b>
3.1	BKH Panorama: Heat protection panel = Standard.....	14
3.2	Catalytic converter (optional).....	15
<b>4</b>	<b>Installation.....</b>	<b>16</b>
4.1	Instructions BKH accessories & additional options.....	16
4.2	Setting up.....	20
4.2.1	Remove the transport locks.....	21
4.2.1.1	BKH Panorama STlifting door).....	21
4.2.2	Modification: Adjusting of self-closing door.....	21
4.2.3	Decoupling mounting frame.....	23
4.3	Catalytic converter.....	24
4.4	Deflection.....	25
4.5	Variants Combustion chamber lining.....	26
4.5.1	Chamotte inner lining.....	26
4.5.2	Combustion chamber inner lining cast iron.....	28
4.6	Variant: Mounting bracket - Feuertisch (wide frame).....	29
4.7	Variant: EOS.....	30
4.7.1	Bottom cover air box EOS.....	30
4.7.1.1	Components EOS.....	30
4.7.1.2	Fitting: EOS.....	31
4.7.1.3	Membrane feed-through.....	32
4.7.1.4	Air position indicator Panorama fireplace.....	34
4.7.2	Thermocouple.....	35
4.7.2.1	Components Thermocouple.....	35
4.7.2.2	Fitting: Thermocouple.....	36
4.7.3	Door contact switch.....	37
4.7.3.1	Components Door contact switch.....	37
4.7.3.2	Fitting: Door contact switch.....	38
<b>5</b>	<b>Disposal.....</b>	<b>41</b>
<b>6</b>	<b>Technical data.....</b>	<b>42</b>

# 1 BASIC INFORMATIONS



All instructions delivered with products must be observed. We do not accept any warranty claim or liability for damage resulting from failure to observe these installation instructions!  
Improper installation can cause injury and material damage!

The floor space of the room must have a suitable structure and sufficient dimensions to ensure proper functioning of the fireplace.

Please note that other installation and assembly instructions are included in other packaging units!

Dimensioning of downstream heat accumulator must be according to valid stove-setting rules.

During installation of the fireplace, all dimensions and minimal clearances of the fireplace casing must be held as specified by the manufacturer.

All binding national or EU standards and local regulations for the installation of fireplaces must be observed.

All valid stove fitting rules and regulations of local construction law must be observed and followed.

Please follow the relevant regulations of your country.

When these instructions are followed and all works are done properly, this will ensure a safe, energy-saving and environmentally friendly operation of the stove. Pictures shown are not to be considered as complete representations of any kind.

Subject to technical and assortment changes.

Please notify your supplier of any damage which might have occurred during transport.

Please keep these instructions.

Please also take note of the online product documentation provided by:



[General instructions of the Brunner products installation for the stove construction.](https://www.brunner.de/produktdownloads/kacheloefen-kamine/allgemeine-hinweise-fuer-den-aufbau_de.pdf)

([https://www.brunner.de/produktdownloads/kacheloefen-kamine/allgemeine-hinweise-fuer-den-aufbau\\_de.pdf](https://www.brunner.de/produktdownloads/kacheloefen-kamine/allgemeine-hinweise-fuer-den-aufbau_de.pdf)) laden können.



## 1.1 SPECIFIED SYMBOLS

In this documentation, a distinction is made between:

Operating personnel as the **User of the system**, i.e. the end user, which has received instructions from the Contractor and does not necessarily have additional qualifications.

Operating personnel as the **Contractor**, i.e. the qualified professionals, which are entitled to perform the indicated specialist works.

In this document, the following symbols are used:

**DANGER**

A danger of high risk persists, which leads to severe injury or death, if this endangering situation is not avoided.

**WARNING**

A danger of medium risk persists, which can lead to severe injury or death, if this endangering situation is not avoided.

**CAUTION**

A danger of low risk persists, which can lead to minor or moderate injury, if this endangering situation is not avoided.

**ATTENTION**

There is a certain risk, which can lead to a malfunction or damage of the related system and all devices connected with it, if the indicated notifications are not followed.

**NOTE**

Additional helpful information

## 2 SAFETY

### 2.1 SAFETY PRECAUTIONS

Fireplaces may be set up only in rooms or areas with no risk of danger due to their location, structure or intended use.

Working on the stove	Installation, commissioning, servicing and maintenance works on the product may be carried out only by an authorized stove-fitter. Safety and efficiency of the system depend on this!
Working with electronics	Switch off the emergency switch or circuit breaker, and secure them against switching on again.



Fireplaces with external air supply are not independent from room air supply and must be considered and designed as roomsealed fireplaces. In connection with a ventilation or extraction system, we recommend the use of a negative pressure safety device (Art.No.: 11600.1).

Installation must be carried out by an authorized stove-fitter, because safety and efficiency of the system depend mostly on proper installation of the product. All valid stove fitting rules and regulations of building law must be observed and followed. Make sure to instruct the owner or user about the functions and controls of the system and possibly installed safety devices.

Fireplaces must be built to ensure safe operation and fire safety in order to eliminate possible risks and unacceptable loads. They have to be ready for use over an adequate period of time.

Make sure to instruct the owner or user about the functions and controls of the system and possibly installed safety devices.

Remember to use only genuine replacement parts.

## 2.2 FIRE PROTECTION

The thermal insulation listed in the fire protection information is implemented with substitute insulation material in the form of calcium silicate boards (e.g. brands: Promasil, Silka, Skamol).

If a different insulating material is used (e.g. vermiculite), the manufacturer's specifications must be used for conversion to the installed insulating material.

The thermal insulation for non-combustible add-on walls and ceilings is based on the requirements of TROL (Germany).

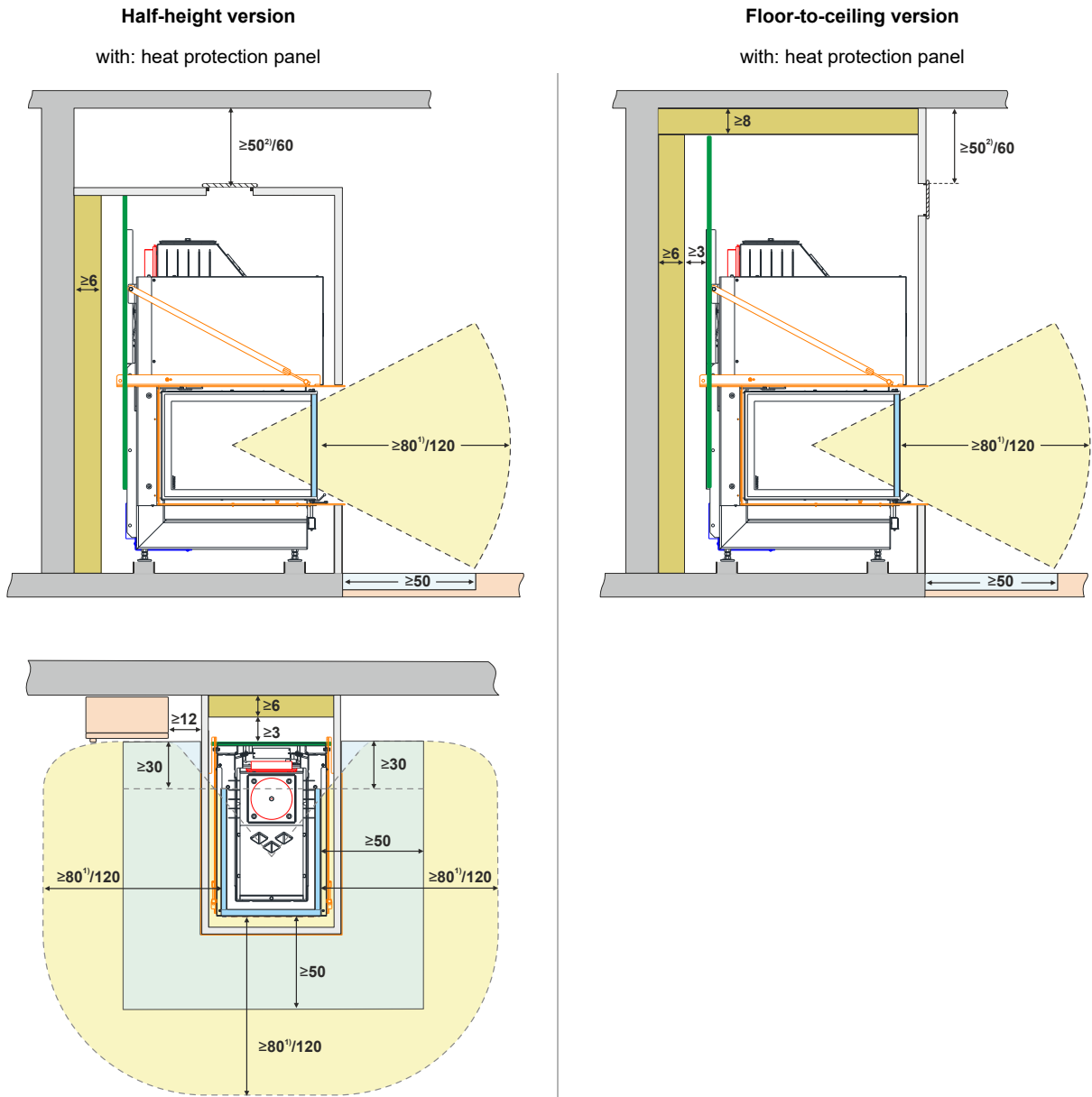
For extension walls made of combustible building materials, fire protection can also be provided in a version with active rear ventilation. This variant has been tested and is created with an insulation thickness of 5 cm. It is important to ensure that air flows across the entire width and height.






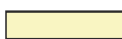



The room air must be able to flow in at the bottom and out at the top. The air inlet and outlet openings (cross-section 75 cm<sup>2</sup>) must not be sealable. In normal operation, the temperatures at the air outlet are below 85°C.

For thermally insulated add-on walls with a U-value < 0.4 W/m<sup>2</sup>K, the fire protection must be designed with active rear ventilation.

## 2.2.1 MOUNTING WALL / CEILING NON-COMBUSTIBLE

Structure: Substitute insulation material I Mounting wall / Ceiling non-combustible



- |   |  |  |
|---|--|--|
|  floor/wall/ceiling non-combustible      |  fireplace cladding                               |  wall/ceiling/floor/attachments combustible/to be protected |
|  convection opening (fireplace cladding) |  substitute insulation material calcium silicate  |  radiation range  |
|  heat protection panel                   |  non-combustible flooring / floor protection pane |  convection opening (active rear ventilation)               |

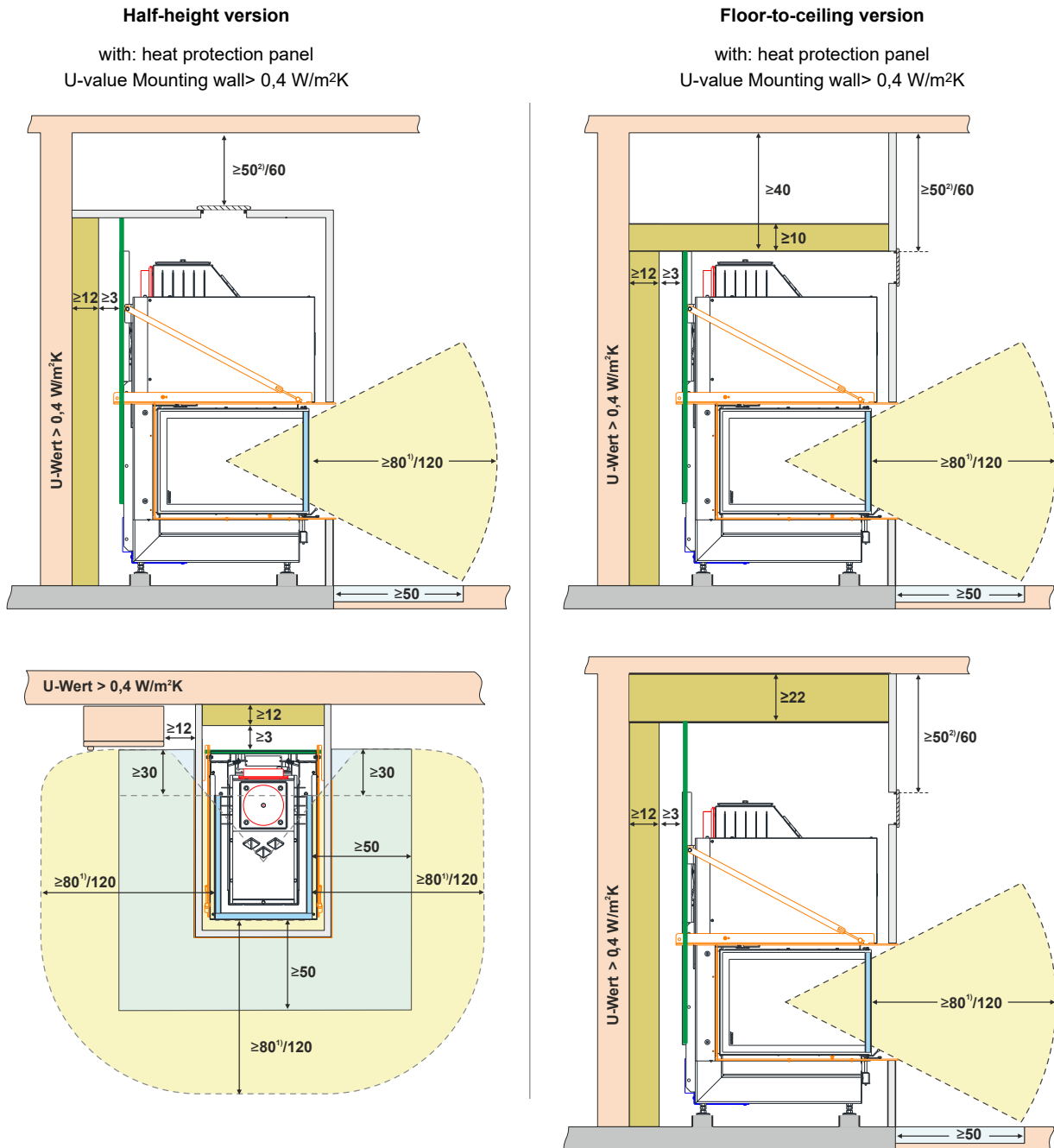
<sup>1)</sup> Glass ceramic coated (GKB); <sup>2)</sup> BKH Panorama 45-45-45






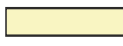



All figures in cm

When designing the exhaust system and exhaust pipe, national standards and fire protection regulations must be observed

## 2.2.2 MOUNTING WALL / CEILING COMBUSTIBLE (U-VALUE > 0,4 W/M<sup>2</sup>K)

Structure: Substitute insulation material I Mounting wall / Ceiling combustible



- |   |  |  |
|---|--|--|
|  floor/wall/ceiling non-combustible      |  fireplace cladding                               |  wall/ceiling/floor/attachments combustible/to be protected |
|  convection opening (fireplace cladding) |  substitute insulation material calcium silicate  |  radiation range  |
|  heat protection panel                   |  non-combustible flooring / floor protection pane |  convection opening (active rear ventilation)               |

<sup>1)</sup> Glass ceramic coated (GKB); <sup>2)</sup> BKH Panorama 45-45-45

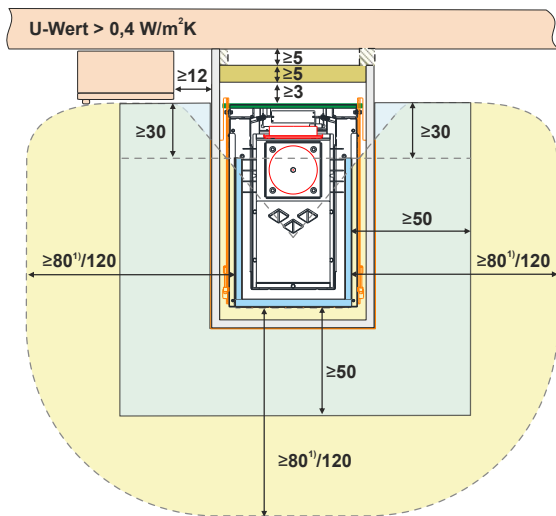
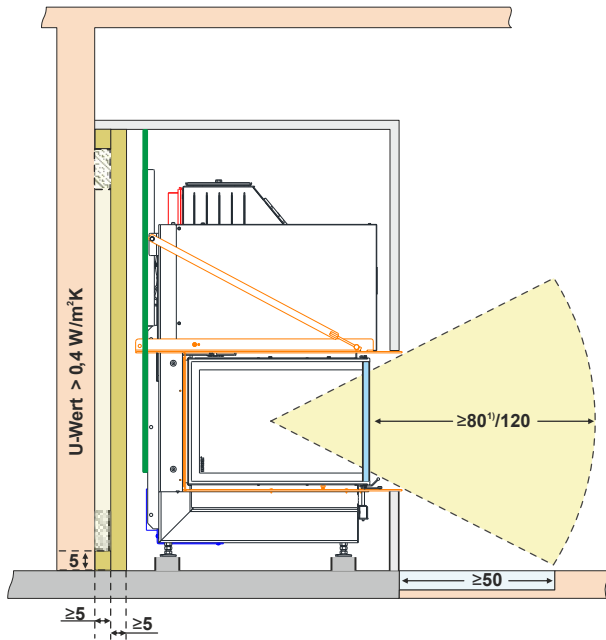
All figures in cm

When designing the exhaust system and exhaust pipe, national standards and fire protection regulations must be observed

**Structure: Substitute insulation material | active rear ventilation | Mounting wall/ Ceiling combustible**

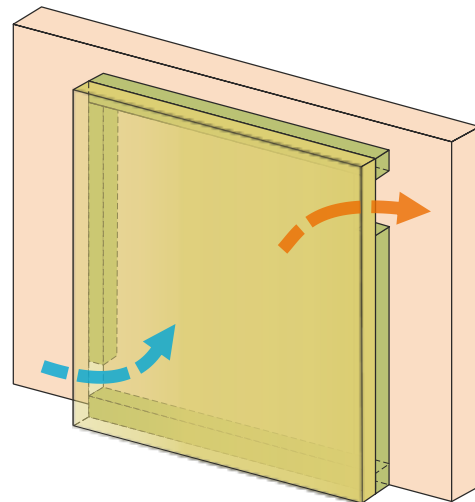
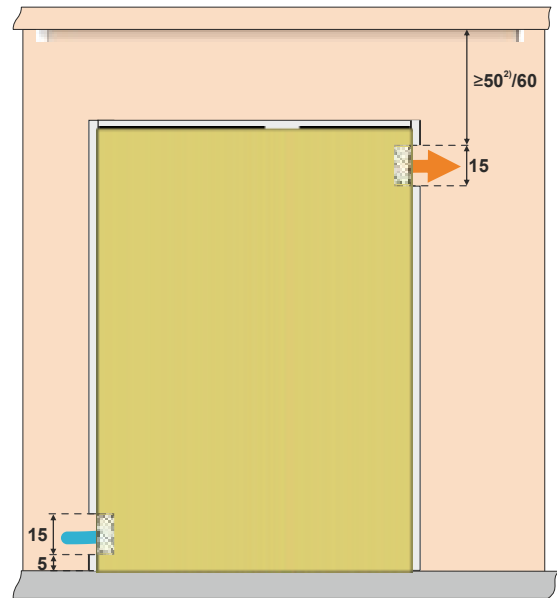
**Half-height version**


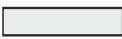



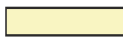



with: active rear ventilation  
U-value Mounting wall > 0,4 W/m<sup>2</sup>K



**Detail:**

active rear ventilation (2x75 cm<sup>2</sup>)



- |   |  |  |
|---|--|--|
|  floor/wall/ceiling non-combustible      |  fireplace cladding                               |  wall/ceiling/floor/attachments combustible/to be protected |
|  convection opening (fireplace cladding) |  substitute insulation material calcium silicate  |  radiation range  |
|  heat protection panel                   |  non-combustible flooring / floor protection pane |  convection opening (active rear ventilation)               |

<sup>1)</sup> Glass ceramic coated (GKB); <sup>2)</sup> BKH Panorama 45-45-45

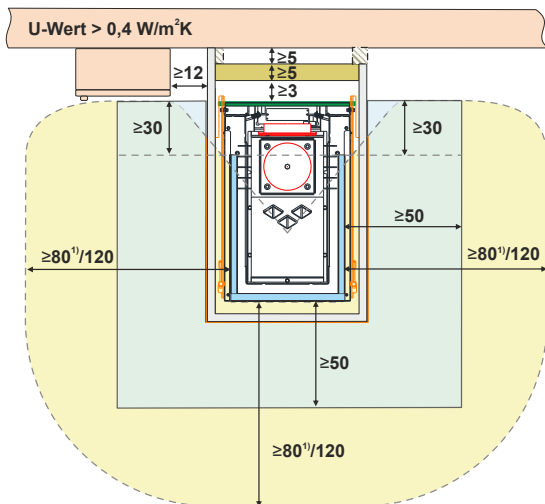
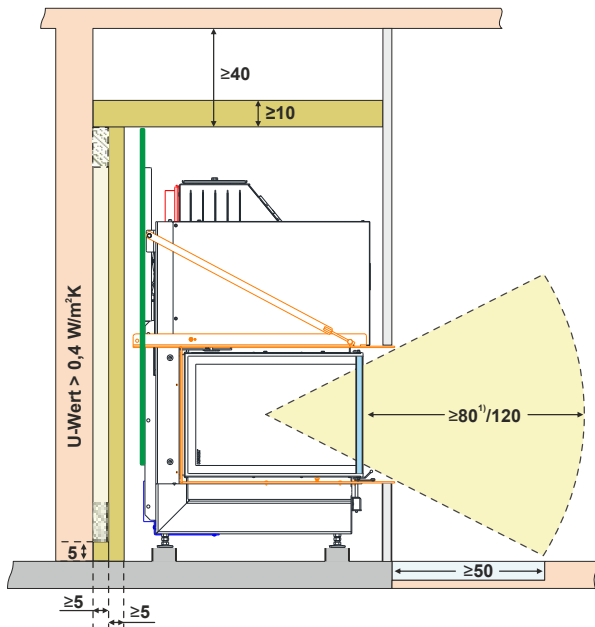
All figures in cm

When designing the exhaust system and exhaust pipe, national standards and fire protection regulations must be observed

**Structure: Substitute insulation material | active rear ventilation | Mounting wall/ Ceiling combustible**

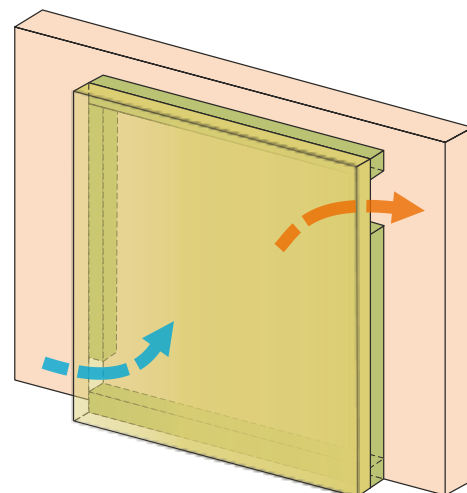
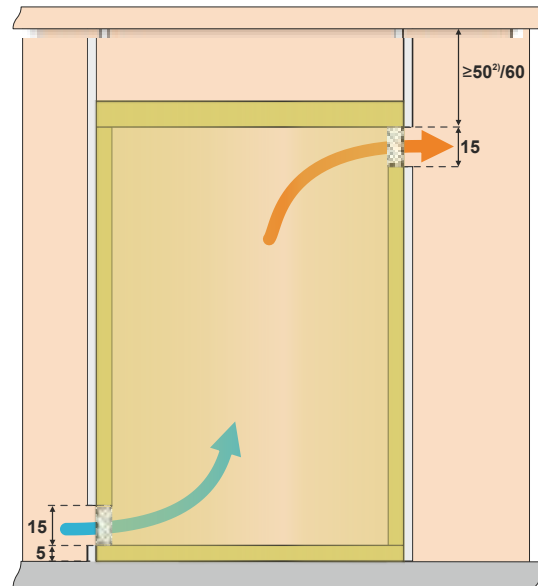
**Floor-to-ceiling version**





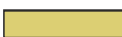
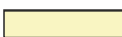



with: active rear ventilation  
U-value Mounting wall > 0,4 W/m<sup>2</sup>K



**Detail:**

active rear ventilation (2x75 cm<sup>2</sup>)



- |   |  |  |
|---|--|--|
|  floor/wall/ceiling non-combustible      |  fireplace cladding                               |  wall/ceiling/floor/attachments combustible/to be protected |
|  convection opening (fireplace cladding) |  substitute insulation material calcium silicate  |  radiation range  |
|  heat protection panel                   |  non-combustible flooring / floor protection pane |  convection opening (active rear ventilation)               |

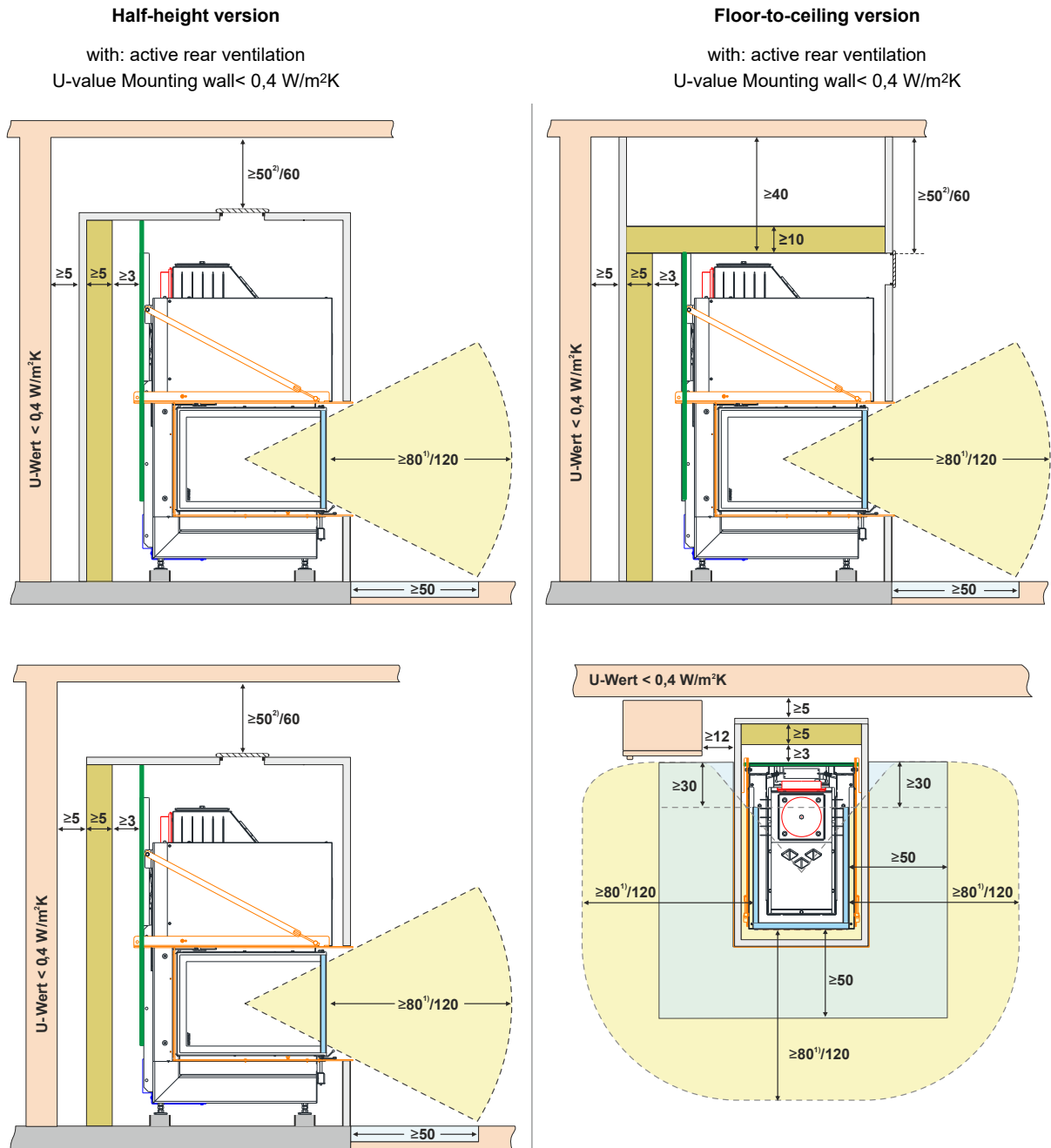
<sup>1)</sup> Glass ceramic coated (GKB); <sup>2)</sup> BKH Panorama 45-45-45






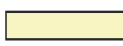



All figures in cm

When designing the exhaust system and exhaust pipe, national standards and fire protection regulations must be observed

## 2.2.3 MOUNTING WALL / CEILING COMBUSTIBLE (U-VALUE < 0,4 W/M<sup>2</sup>K)

Structure: Substitute insulation material | active rear ventilation | Mounting wall/ Ceiling combustible



- |   |  |  |
|---|--|--|
|  floor/wall/ceiling non-combustible      |  fireplace cladding                               |  wall/ceiling/floor/attachments combustible/to be protected |
|  convection opening (fireplace cladding) |  substitute insulation material calcium silicate  |  radiation range  |
|  heat protection panel                   |  non-combustible flooring / floor protection pane |  convection opening( active rear ventilation)               |

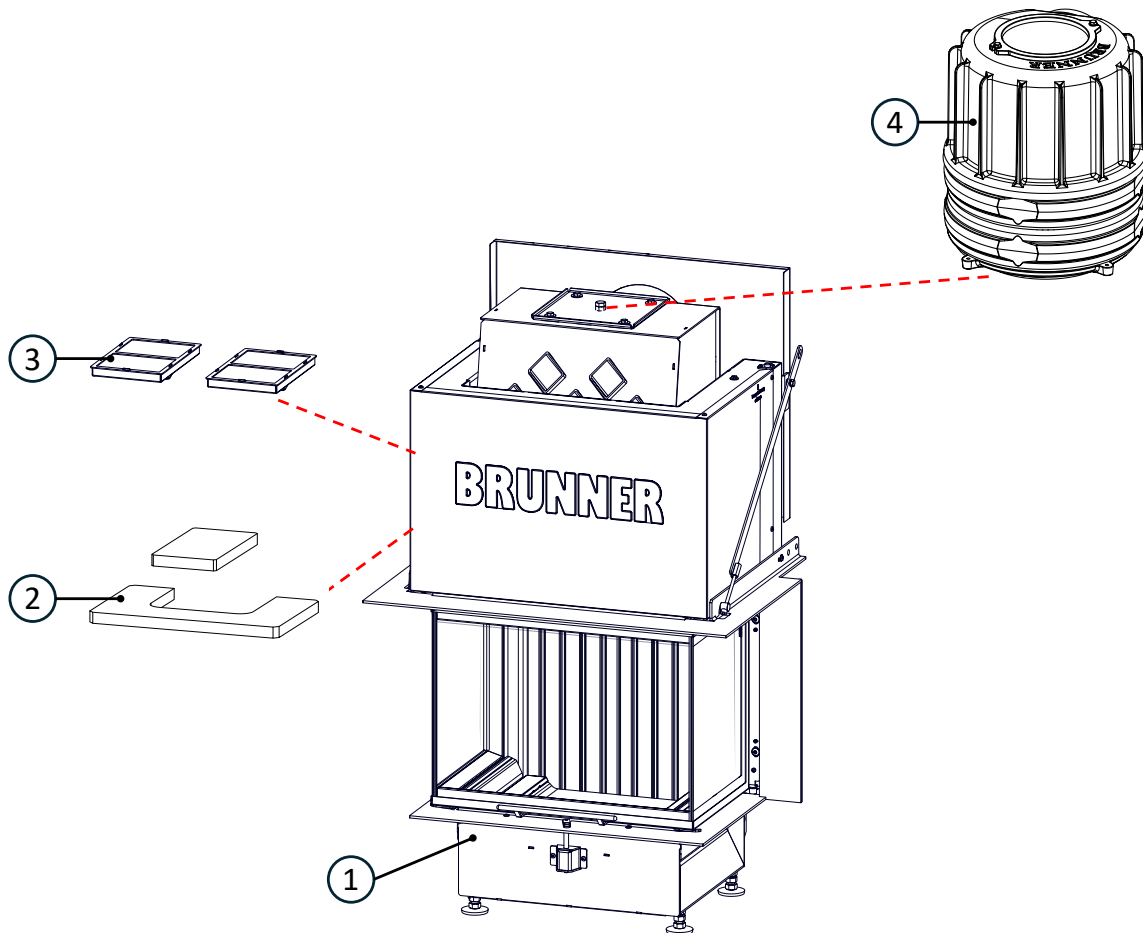
<sup>1)</sup> Glass ceramic coated (GKB); <sup>2)</sup> BKH Panorama 45-45-45

All figures in cm

When designing the exhaust system and exhaust pipe, national standards and fire protection regulations must be observed

### 3 DELIVERY CONTENTS BKH PANORAMA 45-35-60-35

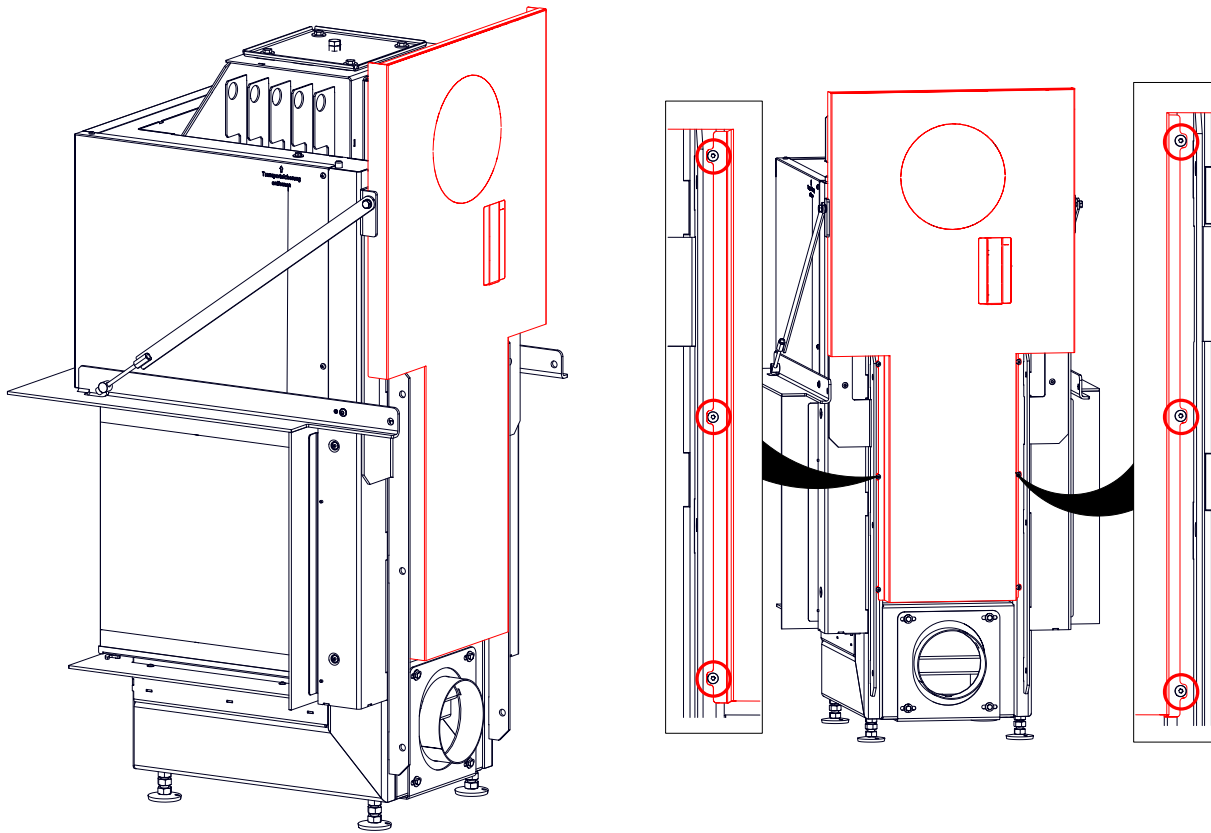
BKH Panorama 45-35-60-35 with lifting door



Pos.	Designation	Art.-Nr.
	BKH - variants:	
	BKH 5.0 Panorama 45-35-60-35 with manual operation, with Ceramic glass (GK), Chamotte inner lining (FR) with Mounting bracket	HK053002-01
	BKH 5.0 Panorama 45-35-60-35 with manual operation, with Ceramic glass (GK), Chamotte inner lining (FR) with Feuertisch (wide frame)	HK053002-05
	BKH 5.0 Panorama 45-35-60-35 with manual operation, with Glass ceramic coated (GKB), Chamotte inner lining (FR) with Mounting bracket	HK053002-03
	BKH 5.0 Panorama 45-35-60-35 with manual operation, with Glass ceramic coated (GKB), Chamotte inner lining (FR) with Feuertisch (wide frame)	HK053002-07
	BKH 5.0 Panorama 45-35-60-35 for EAS/EOS with Ceramic glass (GK), Chamotte inner lining (FR) with Mounting bracket	HK053002-02
	BKH 5.0 Panorama 45-35-60-35 for EAS/EOS with Ceramic glass (GK), Chamotte inner lining (FR) with Feuertisch (wide frame)	HK053002-06
	BKH 5.0 Panorama 45-35-60-35 for EAS/EOS with Glass ceramic coated (GKB), Chamotte inner lining (FR) with Mounting bracket	HK053002-04
	BKH 5.0 Panorama 45-35-60-35 for EAS/EOS with Glass ceramic coated (GKB), Chamotte inner lining (FR) with Feuertisch (wide frame)	HK053002-08
1		
	BKH 5.0 Panorama 45-35-60-35 with manual operation, with Ceramic glass (GK), Combustion chamber inner lining cast iron (FR/Guss) with Mounting bracket	HK053002-09
	BKH 5.0 Panorama 45-35-60-35 with manual operation, with Ceramic glass (GK), Combustion chamber inner lining cast iron (FR/Guss) with Feuertisch (wide frame)	HK053002-13
	BKH 5.0 Panorama 45-35-60-35 with manual operation, with Glass ceramic coated (GKB), Combustion chamber inner lining cast iron (FR/Guss) with Anbaukante	HK053002-11
	BKH 5.0 Panorama 45-35-60-35 with manual operation, with Glass ceramic coated (GKB), Combustion chamber inner lining cast iron (FR/Guss) with Feuertisch (wide frame)	HK053002-15
	BKH 5.0 Panorama 45-35-60-35 for EAS/EOS with Ceramic glass (GK), Combustion chamber inner lining cast iron (FR/Guss) with Mounting bracket	HK053002-10
	BKH 5.0 Panorama 45-35-60-35 for EAS/EOS with Ceramic glass (GK), Combustion chamber inner lining cast iron (FR/Guss) with Feuertisch (wide frame)	HK053002-14
	BKH 5.0 Panorama 45-35-60-35 for EAS/EOS with Glass ceramic coated (GKB), Combustion chamber inner lining cast iron (FR/Guss) with Anbaukante	HK053002-12
	BKH 5.0 Panorama 45-35-60-35 for EAS/EOS with Glass ceramic coated (GKB), Combustion chamber inner lining cast iron (FR/Guss) with Feuertisch (wide frame)	HK053002-16
2	The non-installed parts (e.g. deflection plates, control levers, etc.) and any accessories ordered (e.g. catalytic converter, packaging with EOS, etc.), including the instructions box, are packed in the combustion chamber	
3	Catalyst module BKH 5.0 Panorama	HK000250-01
Smoke hood variants		
4	Connection variant MAS SET440	SET213446

### 3.1 BKH PANORAMA: HEAT PROTECTION PANEL = STANDARD

Position



### 3.2 CATALYTIC CONVERTER (OPTIONAL)

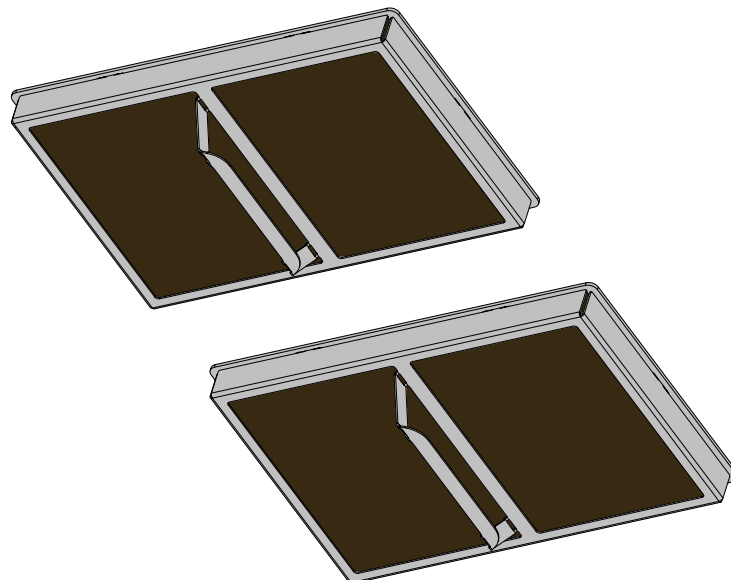


The catalytic converters are coated with a catalytically active layer. This coating can consist of mixed metal oxides or also of precious metals.



#### ATTENTION

The catalysts are fragile and must only be handled with care. Avoid bumping and do not drop the catalytic converter. This could destroy the catalytic converter!



#### Note

This catalytic converter is suitable for all BKH Panorama.

This catalytic converter can also be retrofitted.

---

## 4 INSTALLATION

### 4.1 INSTRUCTIONS BKH ACCESSORIES & ADDITIONAL OPTIONS

The instructions for installing the respective accessories and additional options are available via the following QR codes.

#### Heat exchanger rings

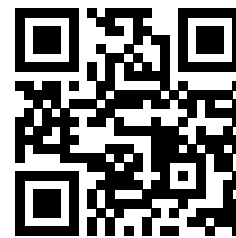


for:

BKH flat

BKH corner

BKH Tunnel



<https://www.brunner.com/23617>

---

#### Connection pipe eccentric

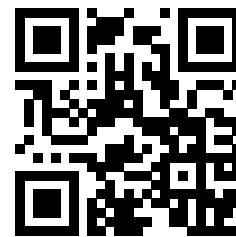


for:

BKH flat

BKH corner

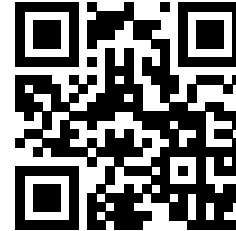
BKH Tunnel



<https://www.brunner.com/23652>

**Cast iron dome ø 180 mm low****for:**

BKH flat 42-42  
BKH flat 42-50  
BKH flat 42-66  
BKH Tunnel 42-50  
BKH Tunnel 42-66  
BKH corner 42-42-42  
BKH corner 42-66-42  
(DTL & DTR)

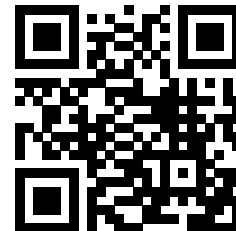


<https://www.brunner.com/23653>

---

**Modular Accumulator MAS****for:**

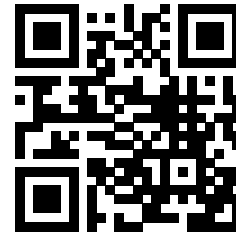
BKH flat  
(without 50-162)  
  
BKH corner  
  
BKH Tunnel  
(without 50-162)  
  
BKH Panorama



<https://www.brunner.com/23633>

**Boiler module****for:**BKH flat  
(without 50-162)

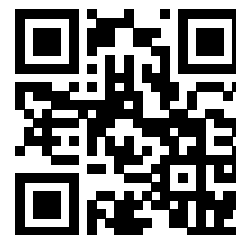
BKH corner

BKH Tunnel  
(without 50-162)<https://www.brunner.com/23650>**Integrated secondary air device****for:**

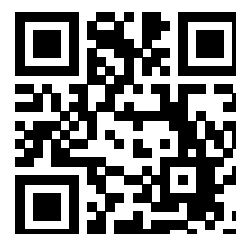
BKH flat

BKH corner

BKH Tunnel

<https://www.brunner.com/23651>**Carrier unit suspended****for:**

BKH Panorama

<https://www.brunner.com/23654>



## 4.2 SETTING UP



### **DANGER**

**Possible personal injury and/or property damage caused by improper installation**

Assembly and installation of BKH requires extensive specialist knowledge.

- Assembly and installation works must be performed by authorized professionals.



### **Danger**

**Risk of injury caused by heavy loads**

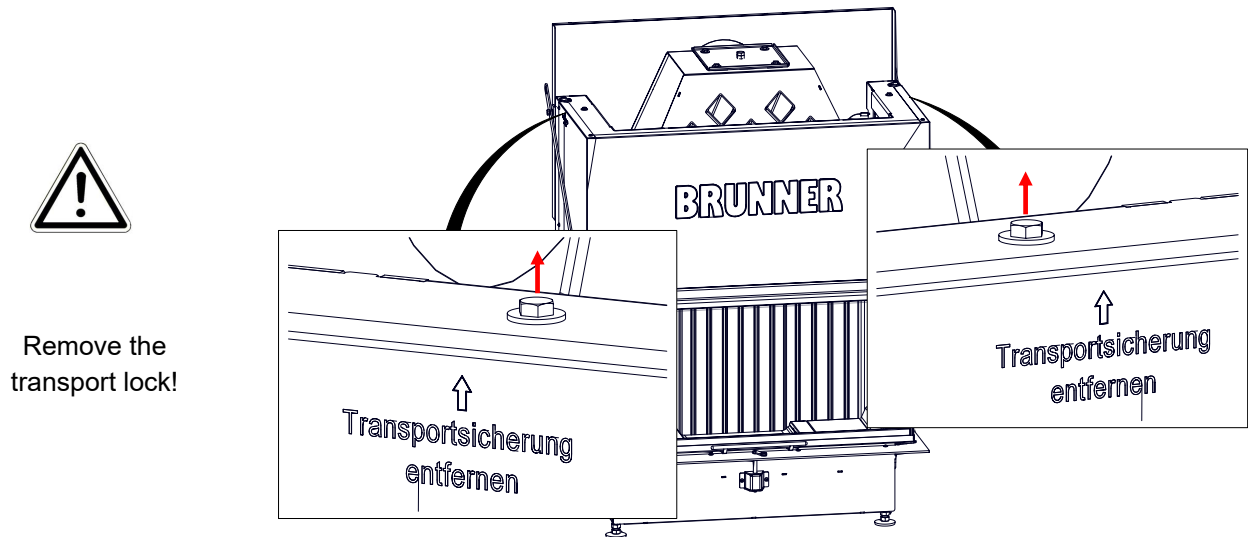
Carrying of heavy loads can lead to injuries.

- The equipment should be carried by at least two people.
- Use appropriate carrying aids.
- Keep the transport weight in mind.

As long as the device is on the wooden pallet, it can be transported with a hand truck or forklift as usual.

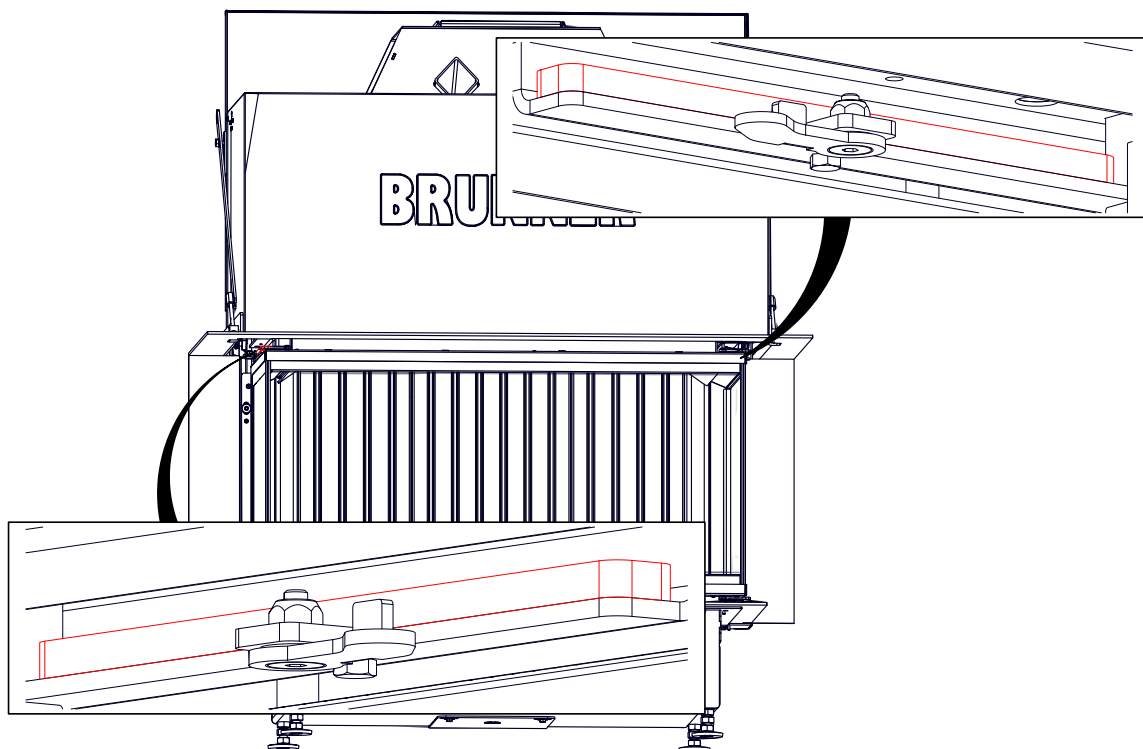
## 4.2.1 REMOVE THE TRANSPORT LOCKS

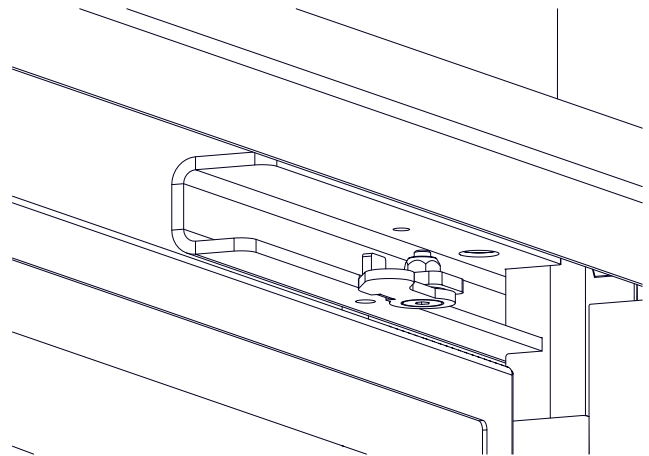
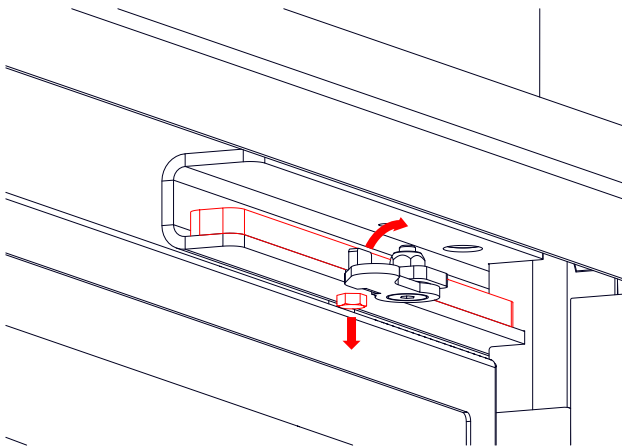
### 4.2.1.1 BKH PANORAMA SLIFTING DOOR)



## 4.2.2 MODIFICATION: ADJUSTING OF SELF-CLOSING DOOR

Conversion to non-self-closing: remove counterweights on both sides

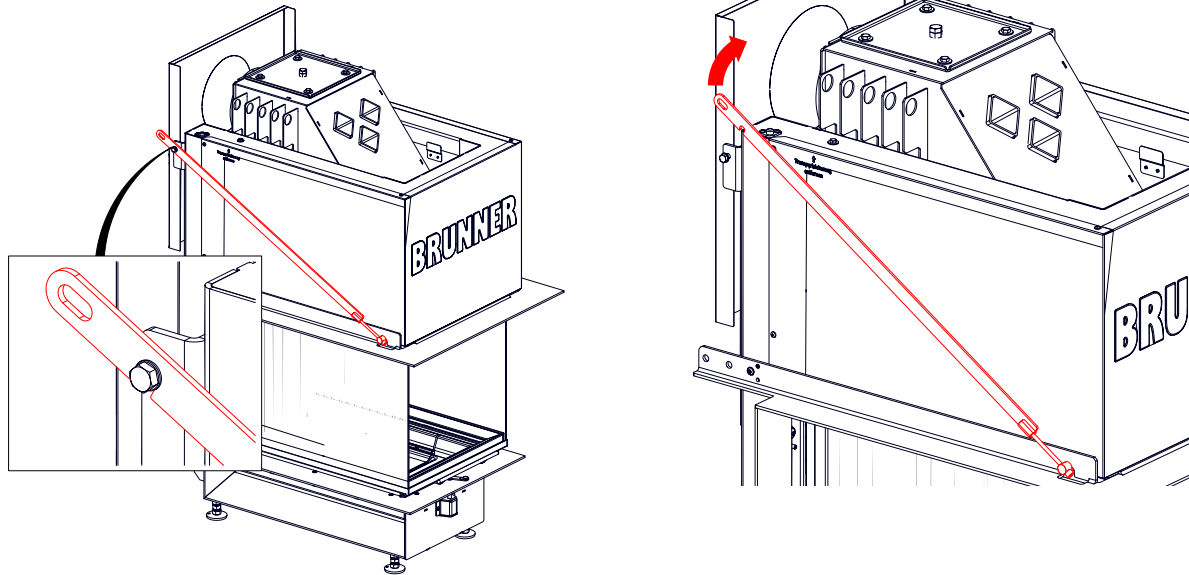




### 4.2.3 DECOUPLING MOUNTING FRAME

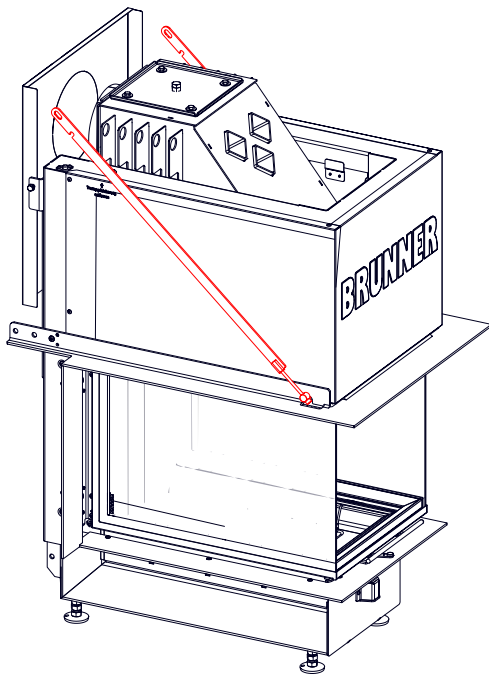
For a construction with static load, the frame is mounted to the rear wall or ceiling using tie rods.

- ▶ Unhook suspension brackets on both sides.

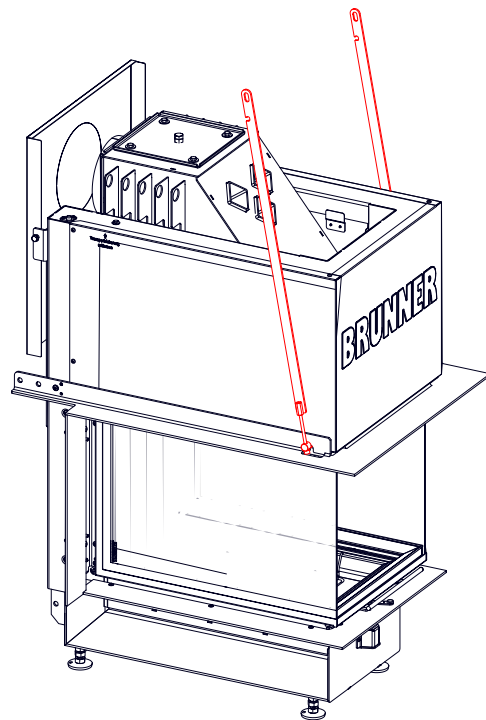


- ▶ Mount suspension brackets to walls with turnbuckles:

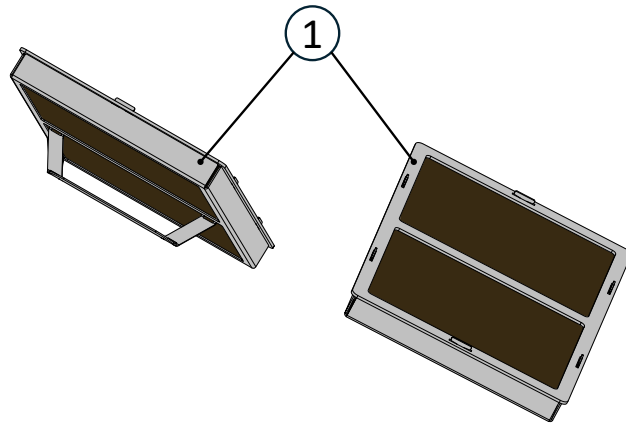
Half-height superstructures



Room-high superstructures

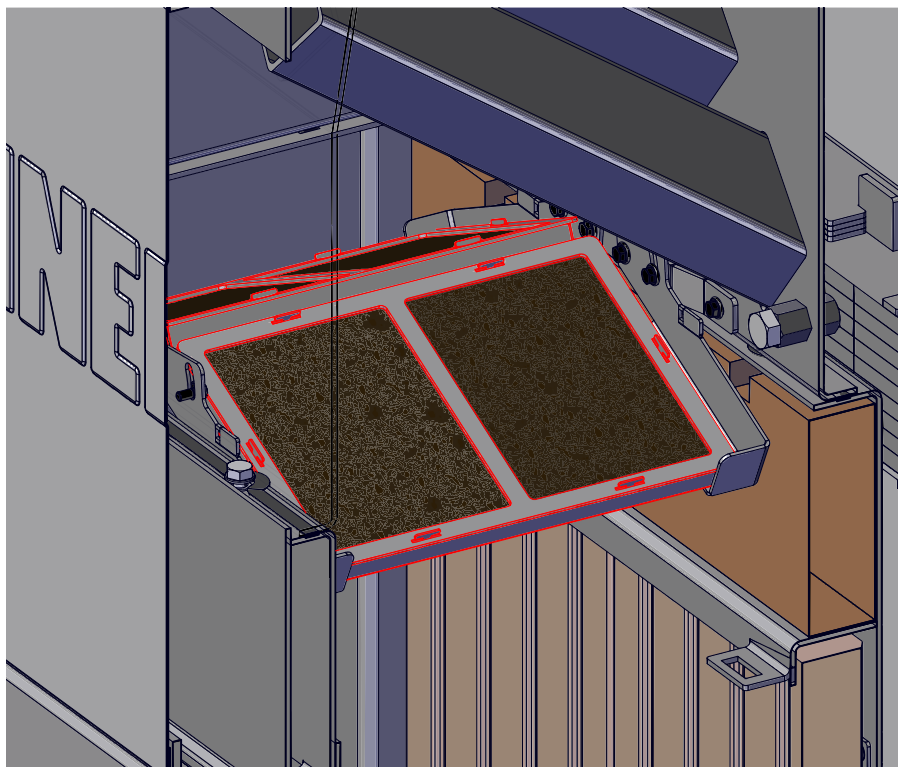


## 4.3 CATALYTIC CONVERTER

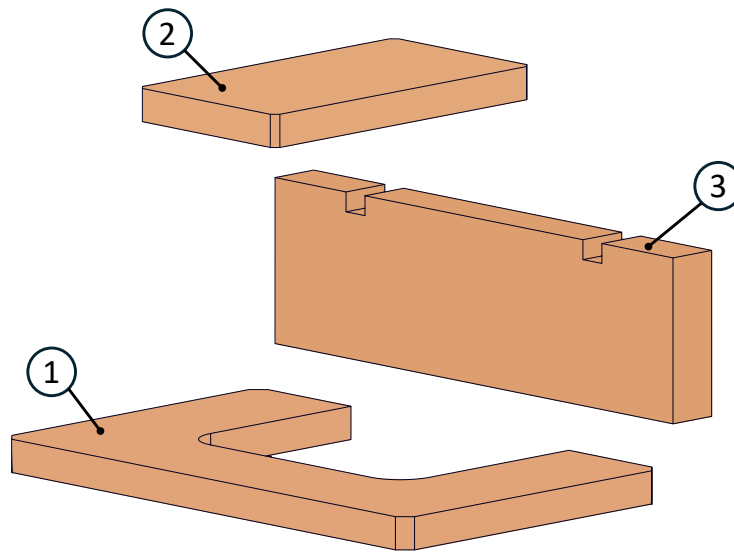


Position	Designation	Art.-Nr.	Pcs.
1	Catalytic converter BKH 5.0 Panorama	HK000233	2

### Position

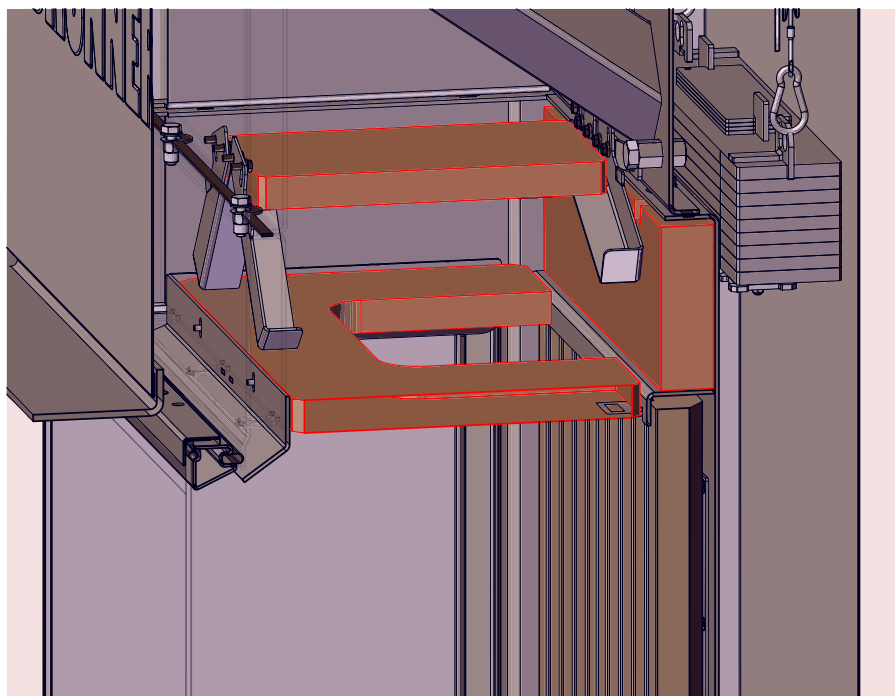


## 4.4 DEFLECTION



Position	Designation	Art.-Nr.	Pcs.
1	Deflection 1	HK053201	1
2	Deflection 2	HK054214	1
3	Insulation rear wall (Standard: factory-bonded)	HK053213	1

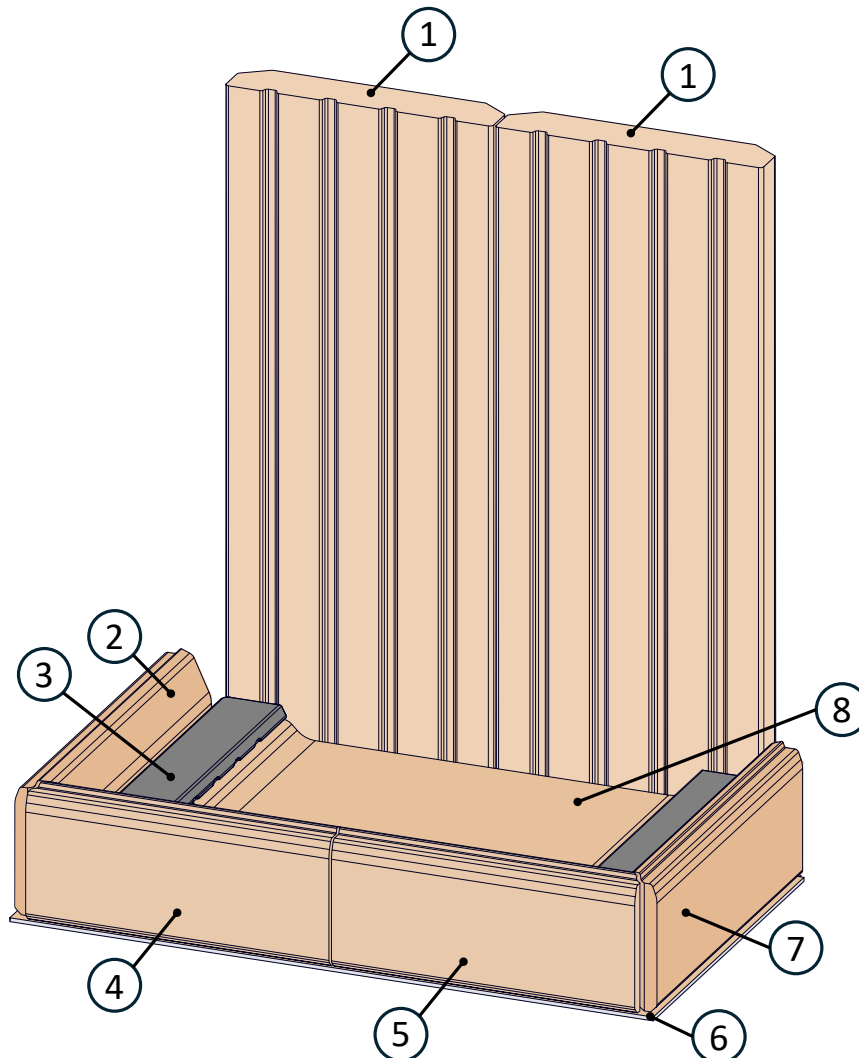
### Position



## 4.5 VARIANTS COMBUSTION CHAMBER LINING

### 4.5.1 CHAMOTTE INNER LINING

Panorama 45-35-60-35 (HK053200-01)



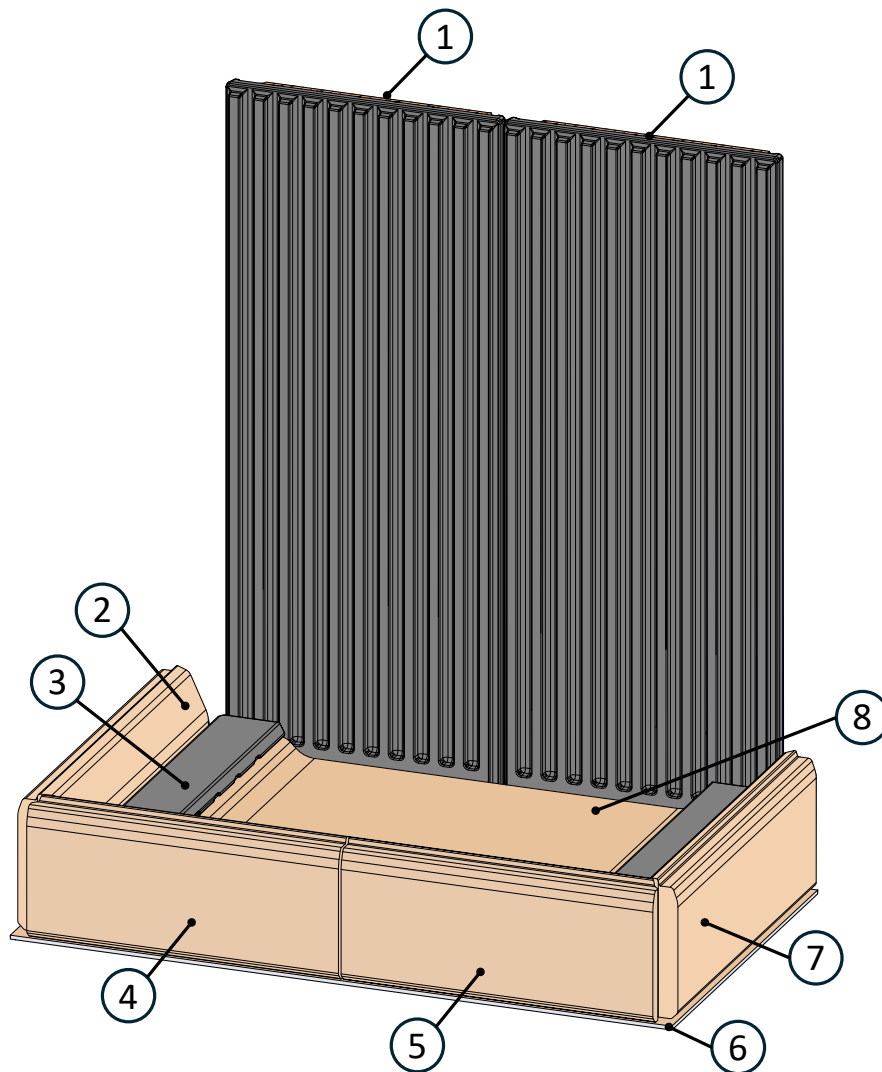
Position	Designation	Art.-Nr.	Pcs.
1	Stone 542x205x40	HK000316	2
2	Wedge stone 280x105x40	HK000291-01	1
3	Cast air distributor Pano 2	HK000129	2
4	Wedge stone 240x105x40	HK000295-01	1
5	Wedge stone 240x105x40	HK000296-01	1
6	Bottom insulation	HK053211	1
7	Wedge stone 280x105x40	HK000292-01	1
8	Bottom stone 268x340x40	HK000276-01	1



Chamotte inner lining to be installed dry

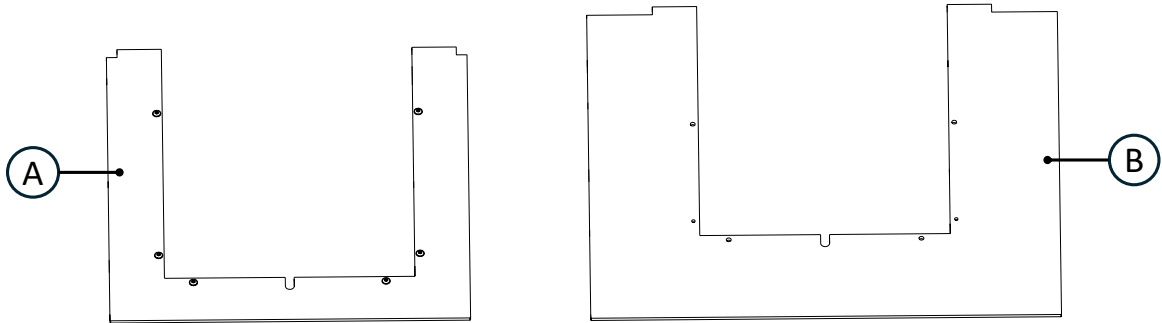
## 4.5.2 COMBUSTION CHAMBER INNER LINING CAST IRON

Panorama 45-35-60-35 (HK053200-02)



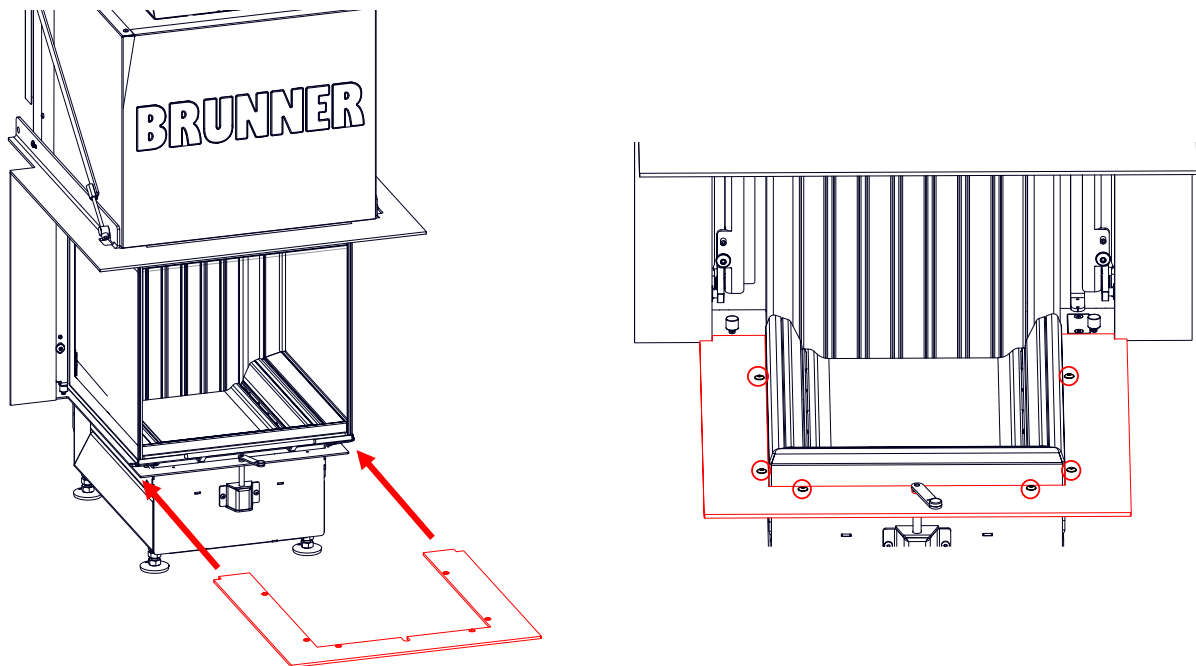
Position	Designation	Art.-Nr.	Pcs.
1	BG Cast iron plate 542x210x40	HK000327	2
2	Wedge stone 275x105x40	HK000291-01	1
3	Cast air distributor Pano 2	HK000129	2
4	Wedge stone 238x105x40	HK000295-01	1
5	Wedge stone 238x105x40	HK000296-01	1
6	Bottom insulation	HK000313	1
7	Wedge stone 275x105x40	HK000292-01	1
8	Bottom stone 268x340x40	HK000276-01	1

## 4.6 VARIANT: MOUNTING BRACKET - FEUERTISCH (WIDE FRAME)



A: Mounting bracket

B: Feuertisch (wide frame)



Summarised information

### **NOTICE**

**The frame and side panels must remain revisable!**

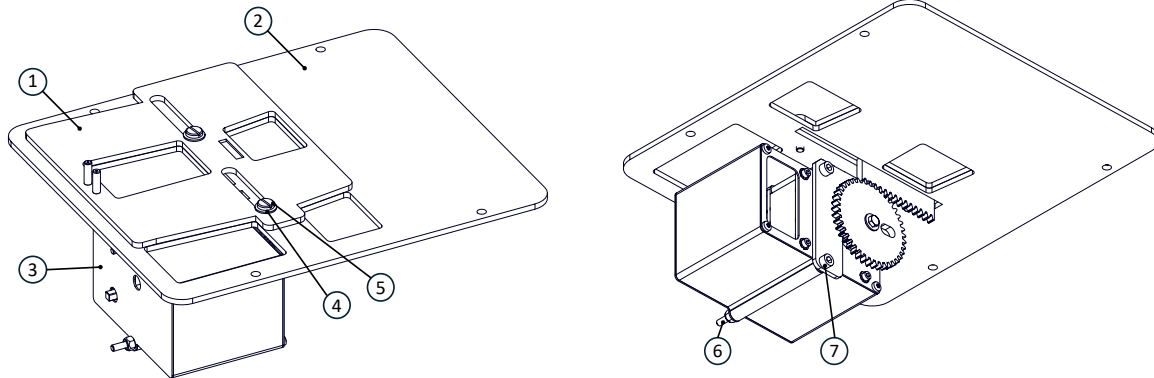
- ▶ Ensure that the frame and side parts such as panels can still be inspected after complete assembly and installation! Do not brick in these parts.

## 4.7 VARIANT: EOS

### 4.7.1 BOTTOM COVER AIR BOX EOS

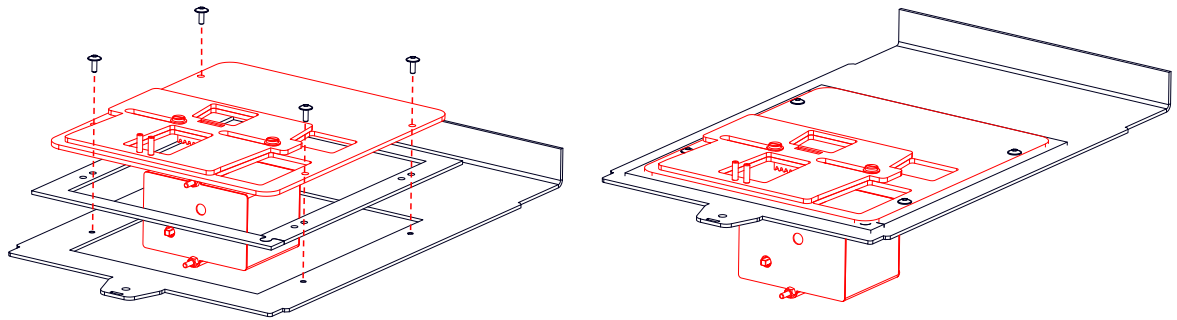
#### 4.7.1.1 COMPONENTS EOS

BG Bottom cover Air box small, EOS (HK000064)

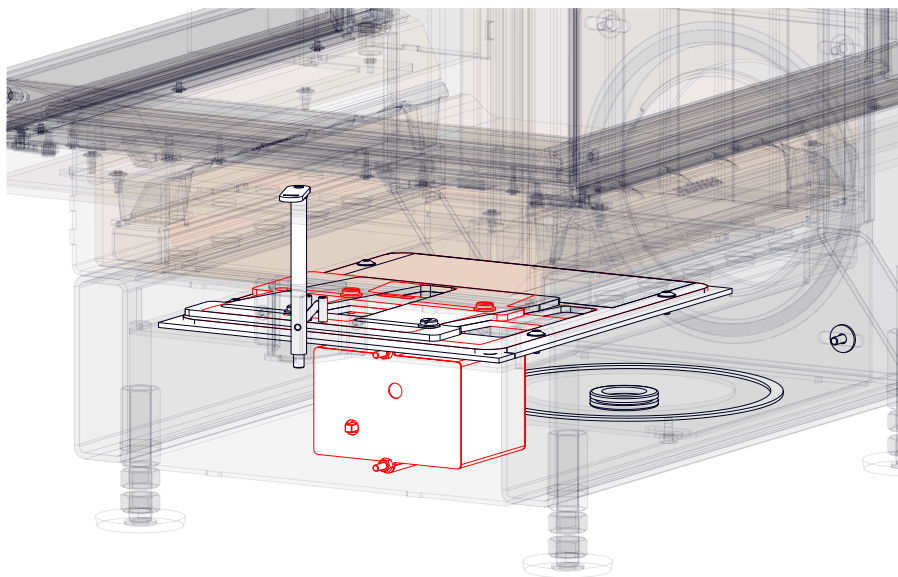
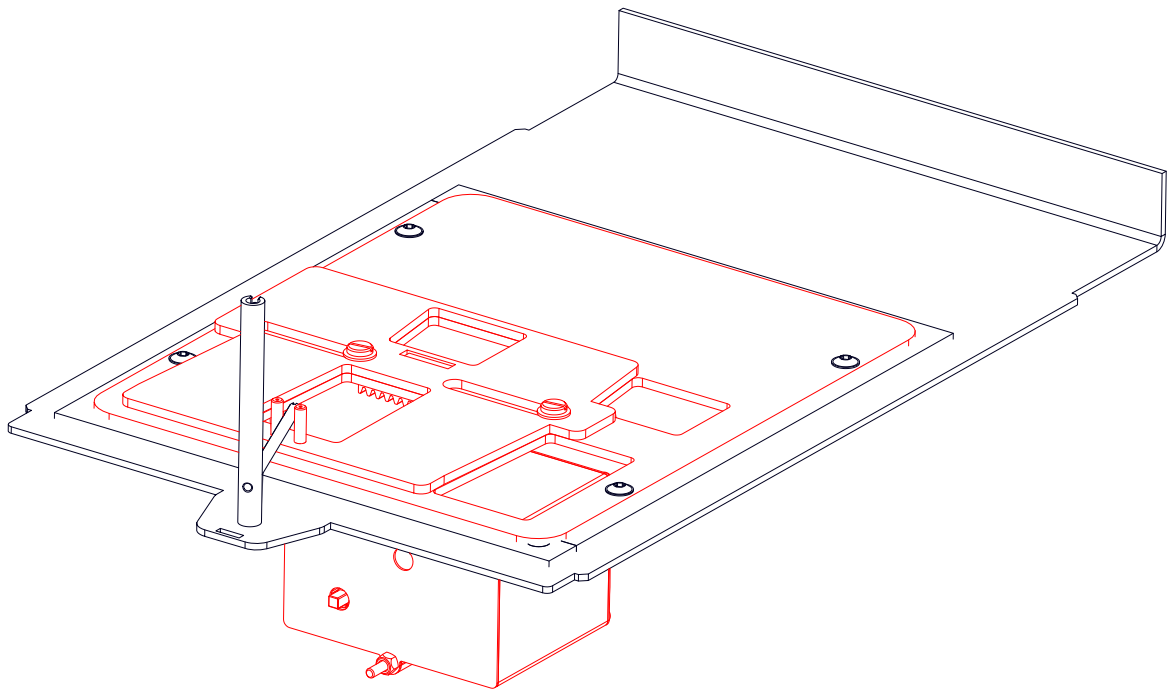


Position	Designation	Art.-Nr.	Stk.
1	Air slider plate small EOS	HK000232	1
2	BG Bottom cover Air box small EOS	HK000219	1
3	BG Servomotor EOS with Gear wheel	N003157	1
4	Collar bushing	I007337	2
5	Flat head screw (M5x6)	800461	2
6	hexagon nut with Clamping part	800155	2
7	Cylinder head screw (M5x100)	800035	2

**4.7.1.2 FITTING: EOS**

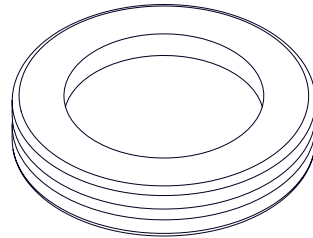


1

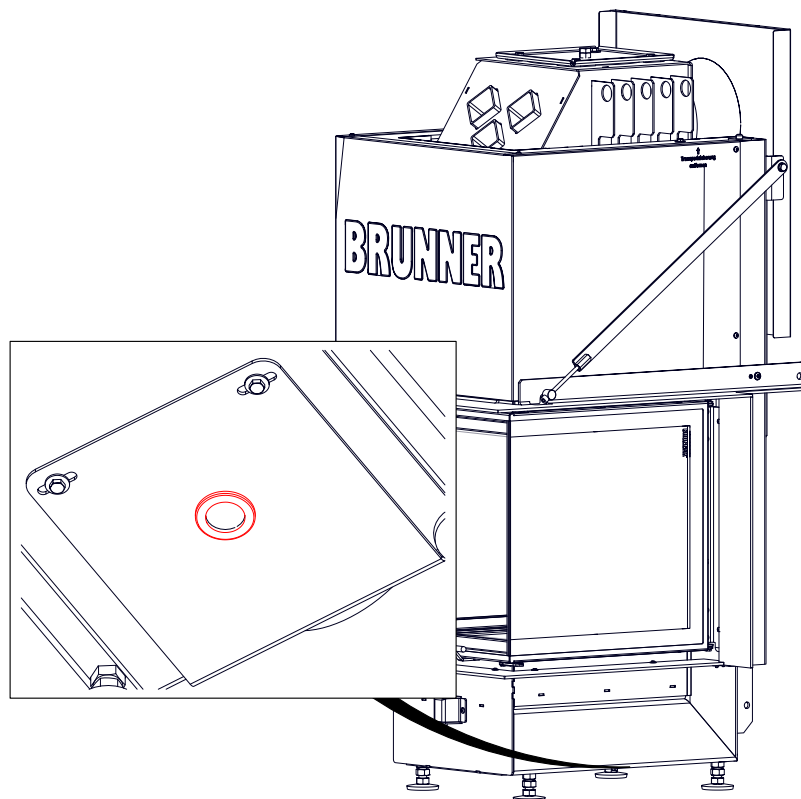


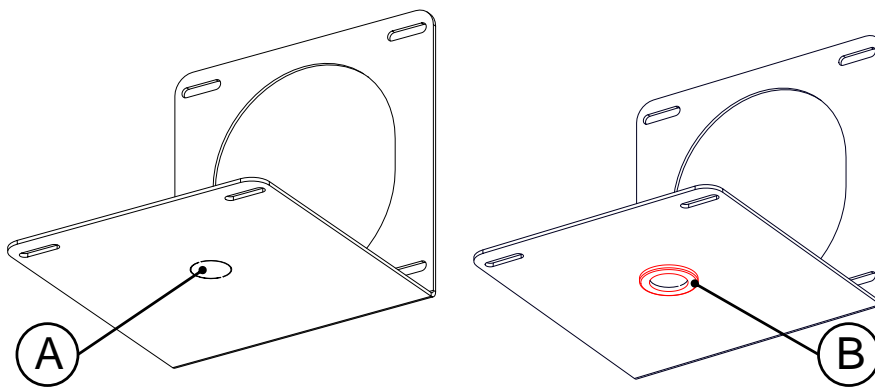
### 4.7.1.3 MEMBRANE FEED-THROUGH

#### Membrane feed-through (901248)



Position

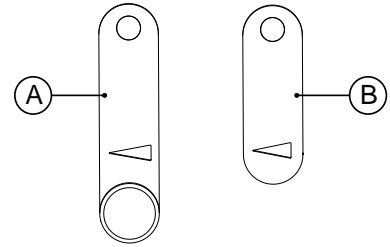
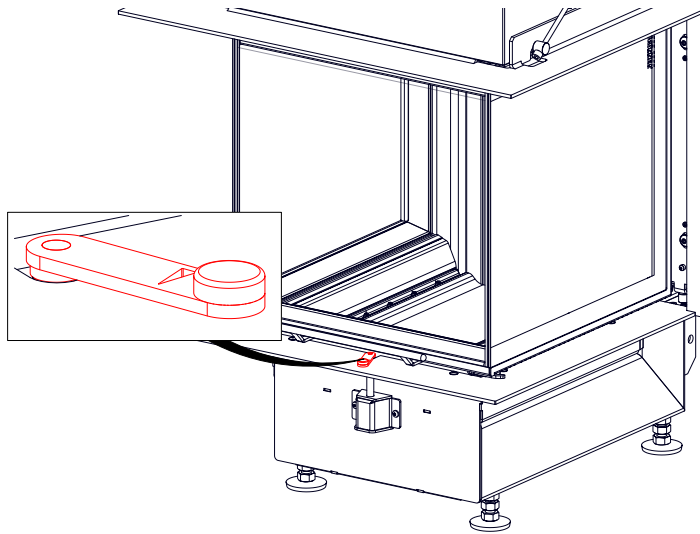




A = BKH Panorama

B = BKH Panorama with EOS

#### 4.7.1.4 AIR POSITION INDICATOR PANORAMA FIREPLACE



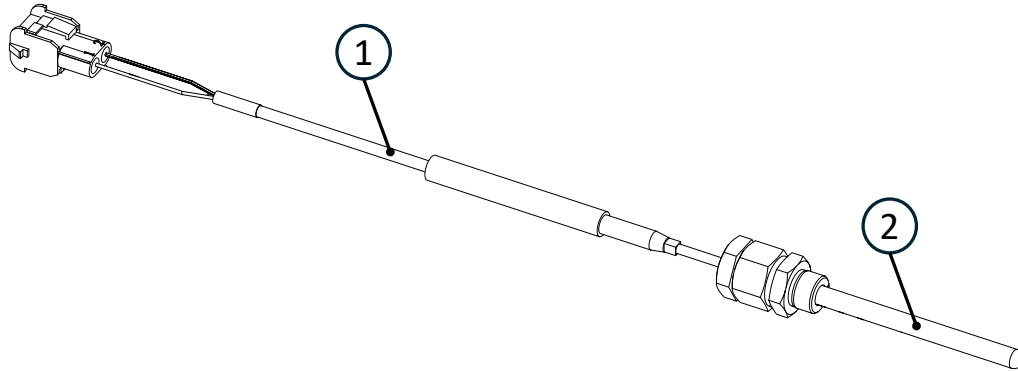
A = BKH Panorama

B = BKH Panorama with EOS

## 4.7.2 THERMOCOUPLE

### 4.7.2.1 COMPONENTS THERMOCOUPLE

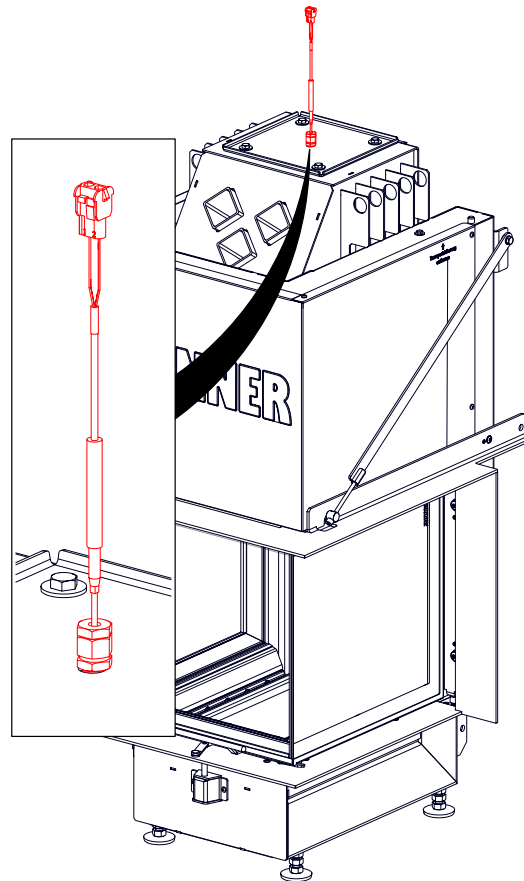
Thermocouple (10994.1)



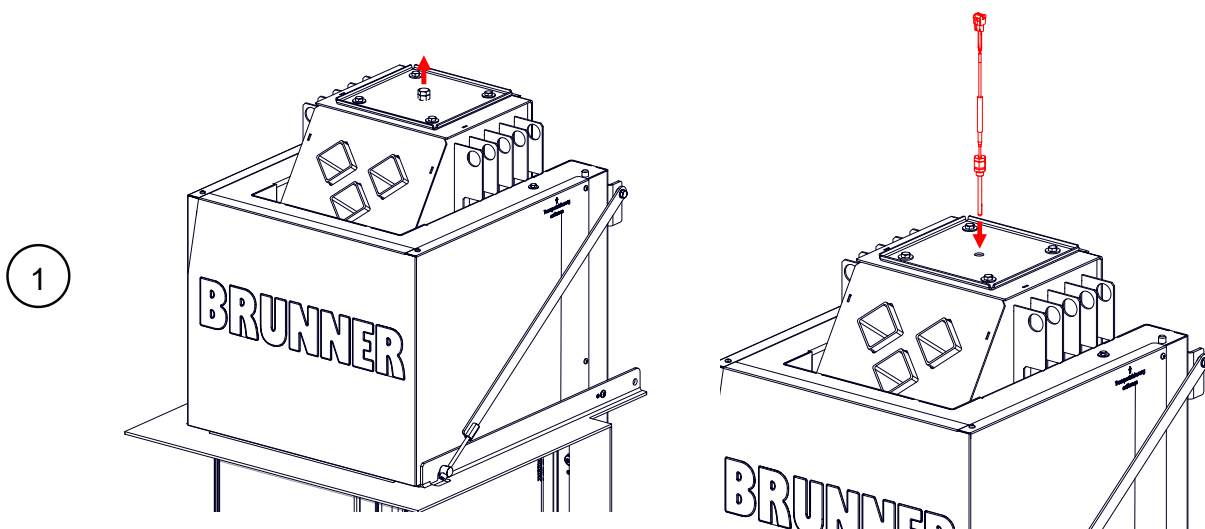
Position	Designation	Art.-Nr.	Pcs.
1	Thermocouple	Z020020-01	1
2	Thermowell	00017.1	1

## 4.7.2.2 FITTING: THERMOCOUPLE

Position



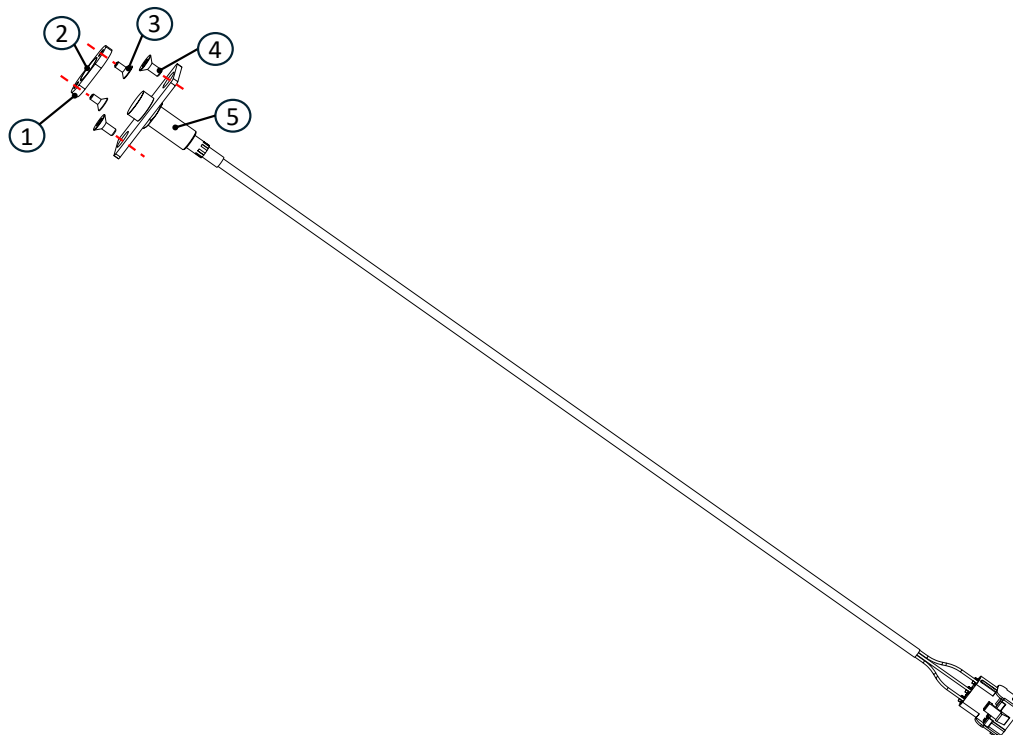
Workflow



### 4.7.3 DOOR CONTACT SWITCH

#### 4.7.3.1 COMPONENTS DOOR CONTACT SWITCH

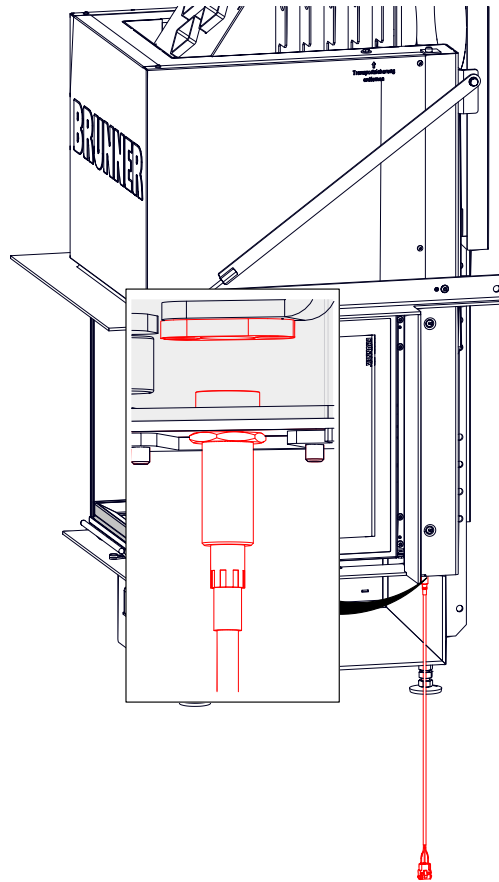
Door contact switch (E011001)



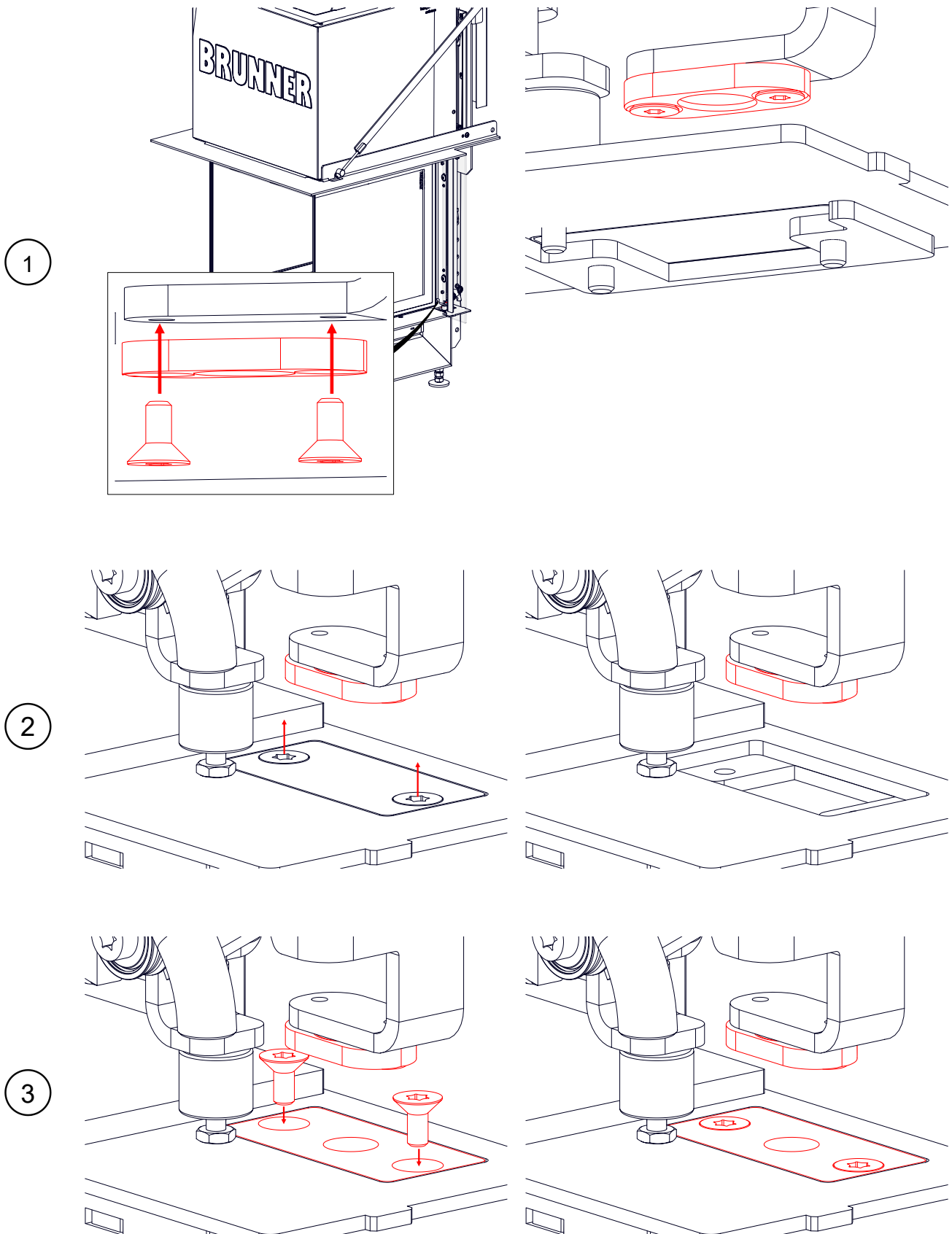
Position	Designation	Art.-Nr.	Pcs.
1	Retaining plate Magnet	E011011	1
2	Magnet	903324	1
3	Countersunk screw (M4x8)	800063	2
4	Countersunk screw (M5x10)	800184	2
5	BG Door contact switch	E011003	1

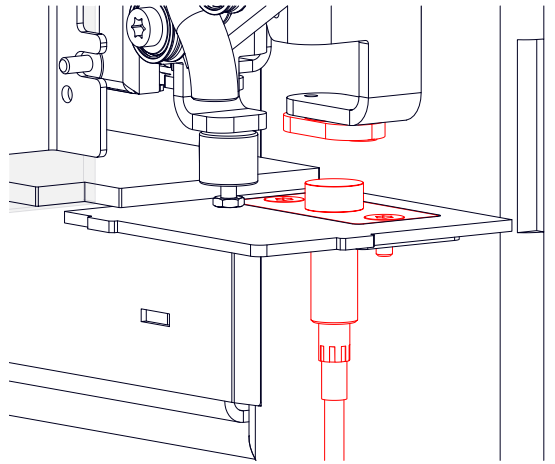
### 4.7.3.2 FITTING: DOOR CONTACT SWITCH

Position



## Workflow





## 5 DISPOSAL

Old equipment contains valuable materials that must be recycled. Observe the applicable national legal regulations for disposal.



Danger of electrocution.

Electrical connections of the furnace system are under mains voltage. This can lead to electric shock.

Switch off the power supply

Secure power supply against restart.

Old metal parts can be disposed of as metal recycling.

Electrical and electronic components must be disposed of as electronic waste. Fireclay linings can be disposed of as rubble.

Fireclay linings can be disposed of as rubble.

Dispose of insulating and insulating materials of the heating or fireplace insert in a closed container on a suitable waste disposal site.

Do not put the glass ceramic discs in the waste glass collection container! The glass panes can be disposed of as normal household waste.

### **Recycling of catalytic converters containing precious metals**

Oxidative catalytic converters, as installed in modern wood stoves, are very effective at reducing emissions of carbon monoxide and hydrocarbons. This is possible, because precious metals like platinum, palladium and rhodium are used on the surface of catalytic converters. These precious metals are distributed very evenly in very small amounts on the surface of catalytic converters. Over the years, the abrasive effect of particles streaming through the catalytic converter will cause the partial diminishing of the coating containing precious metals. Continuous overheating of catalytic converters ( $T > 700\text{ °C}$ ) will damage the coating. In certain cases, the catalytic converter should be replaced and a new converter must be installed to ensure the catalytic effect.

Used catalytic converters are suitable for re-use. Even if they are broken or damaged, they are suitable for recycling.

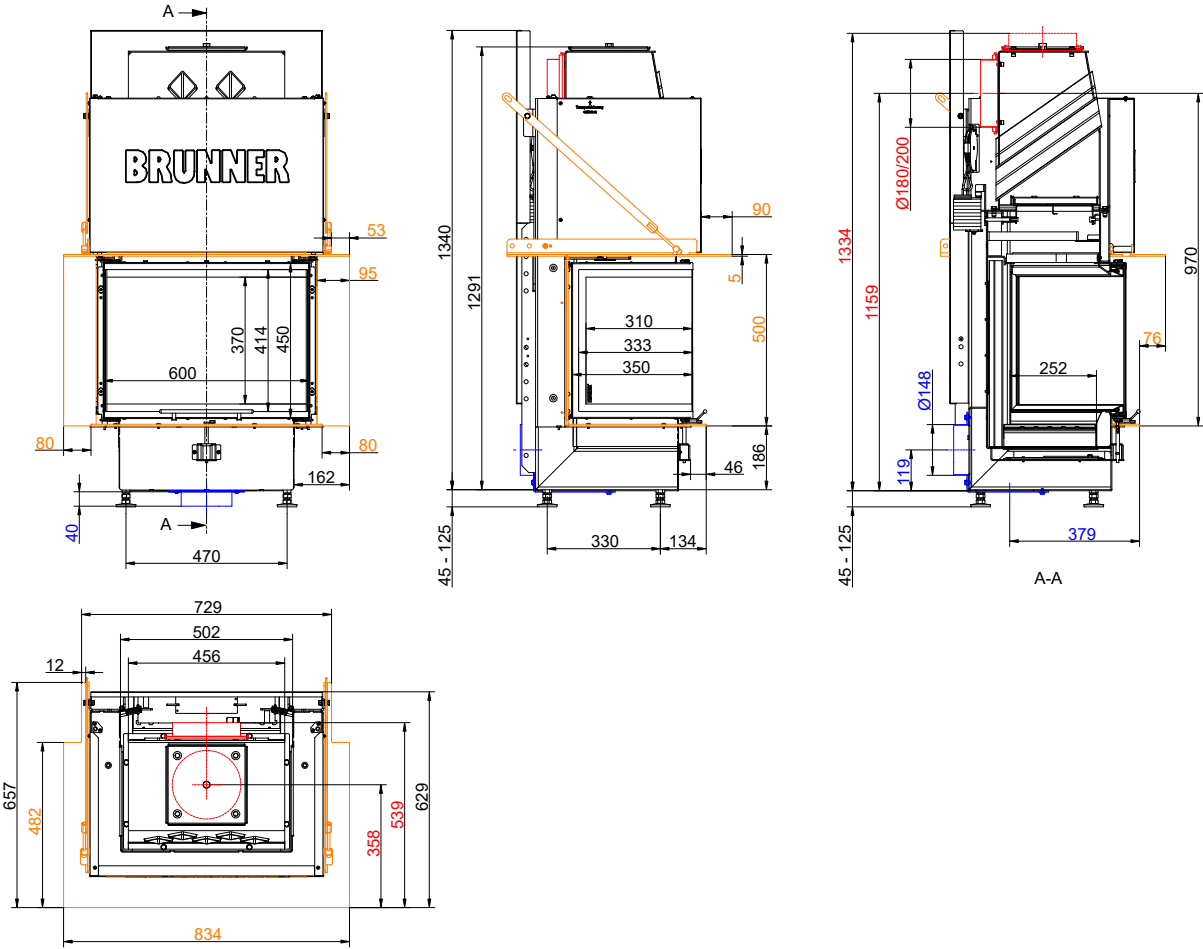
Contained precious metals can be recovered by thermal or chemical separation techniques to almost 90%, and then used again in the manufacturing process.

Please bring the used catalytic converter to a recycling center.

Thank you very much for your efforts in supporting the protection of environment and sustainable use of resources.



# Dimension sheets - BKH Panorama 45-35-60-35 green

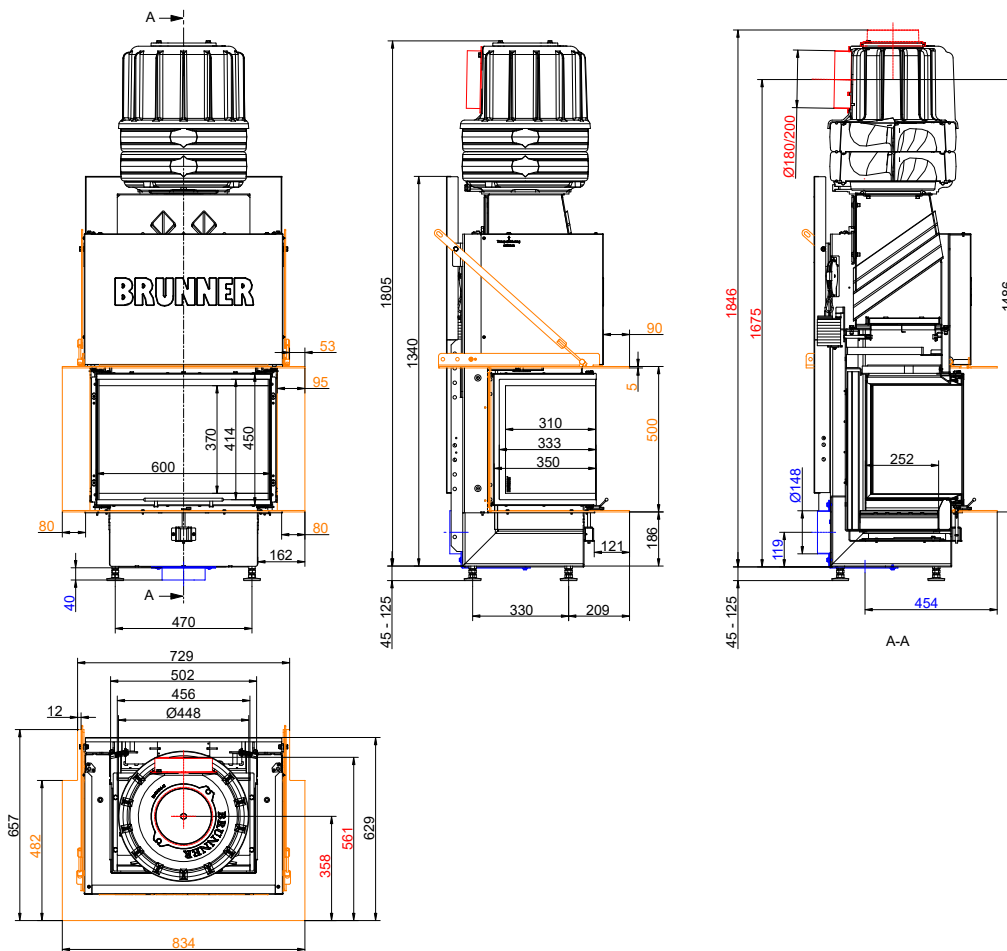


... with steel smoke hood and Mounting bracket



... detail narrow frame (schematic)

# Dimension sheets - BKH Panorama 45-35-60-35 green

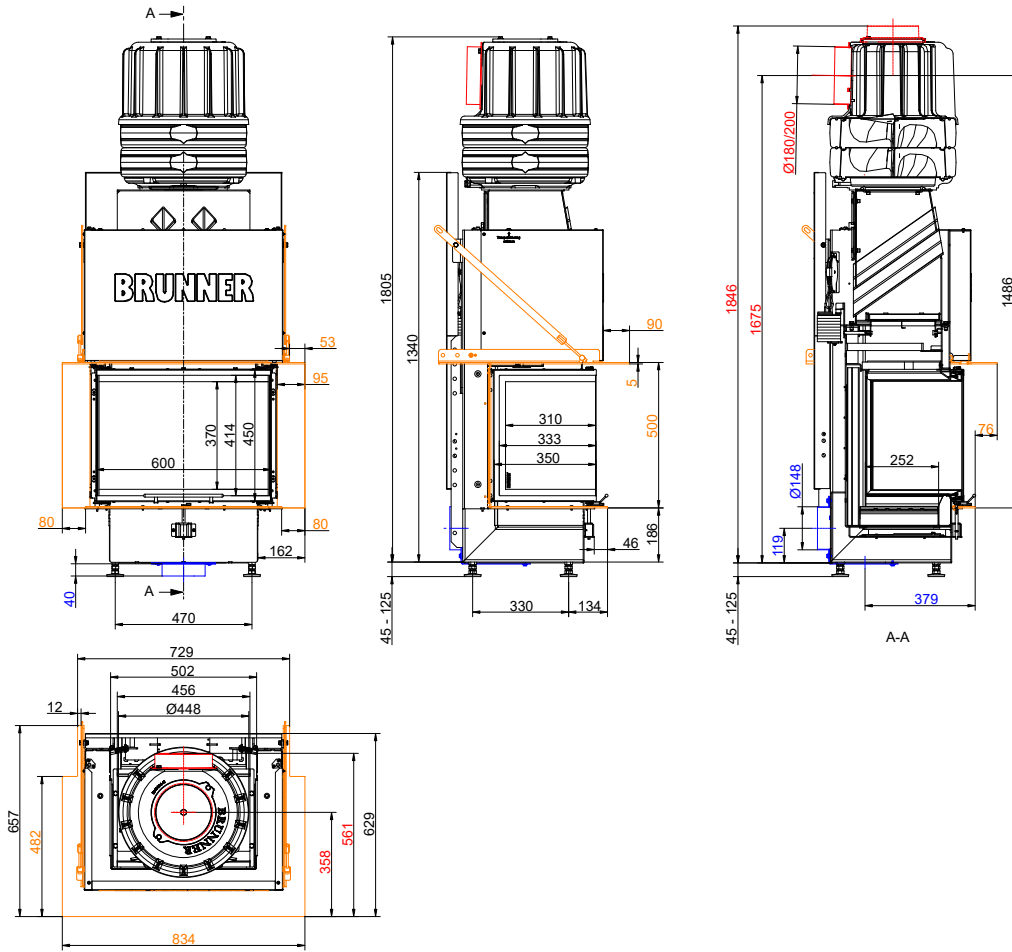


... with steel smoke hood + MAS and Feuertisch (wide frame)



... detail wide frame (schematic)

# Dimension sheets - BKH Panorama 45-35-60-35 green

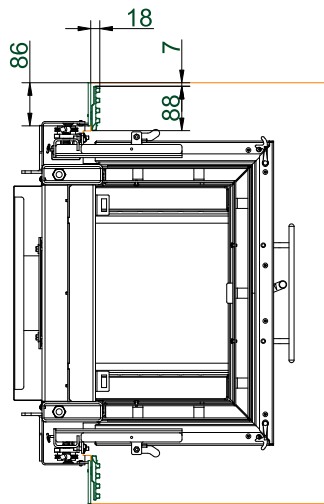
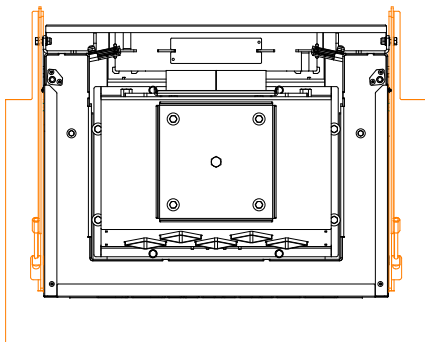
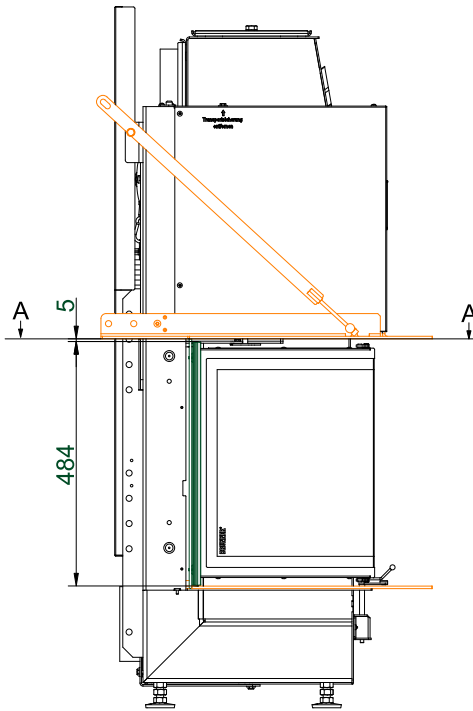
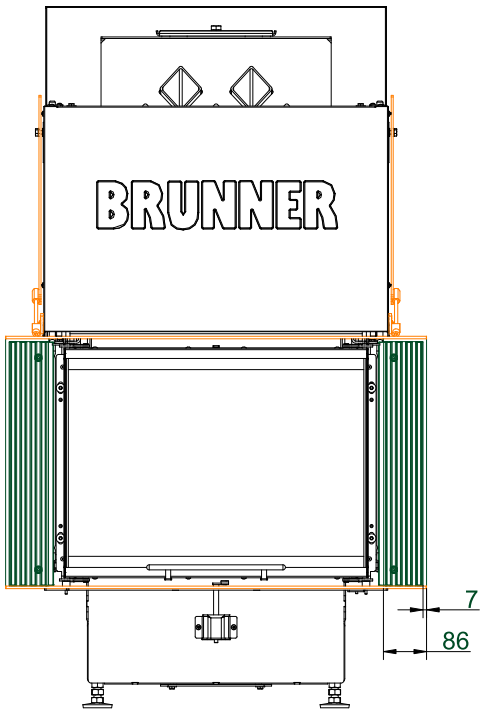


... with steel smoke hood + MAS and Mounting bracket

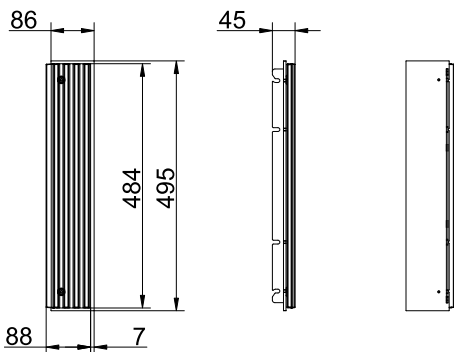


... detail narrow frame (schematic)

# Dimension sheets - BKH Panorama 45-35-60-35 green

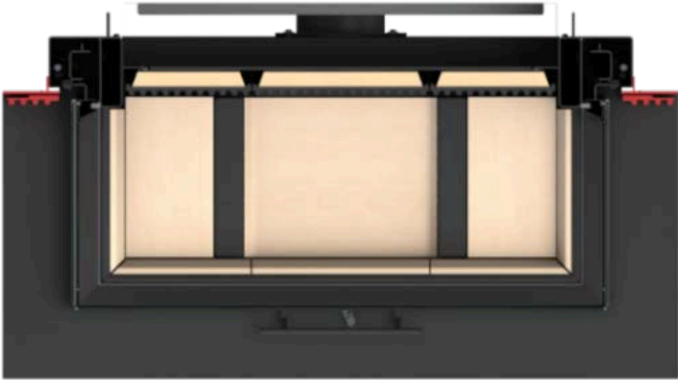
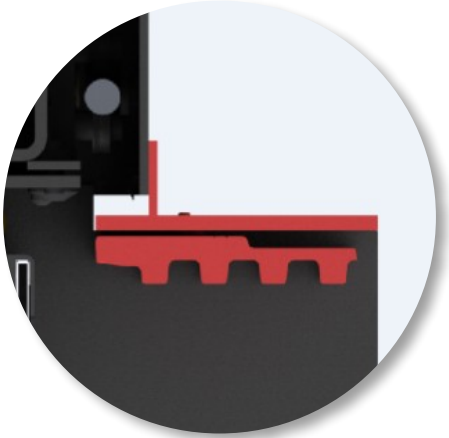


A-A



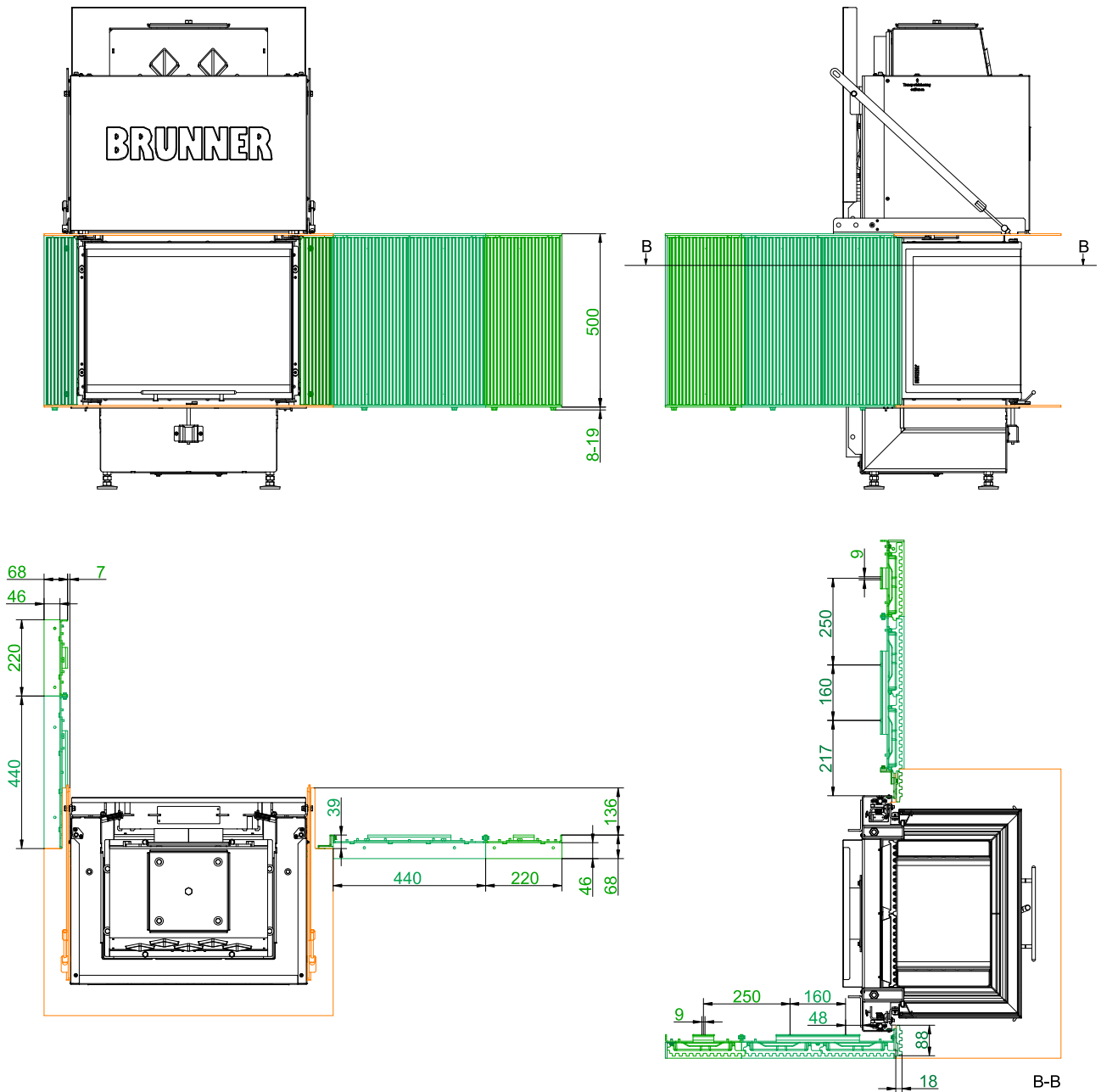
... minimum combustion chamber extension with "start-end" modules (schematic)

**Dimension sheets - BKH Panorama 45-35-60-35 green**



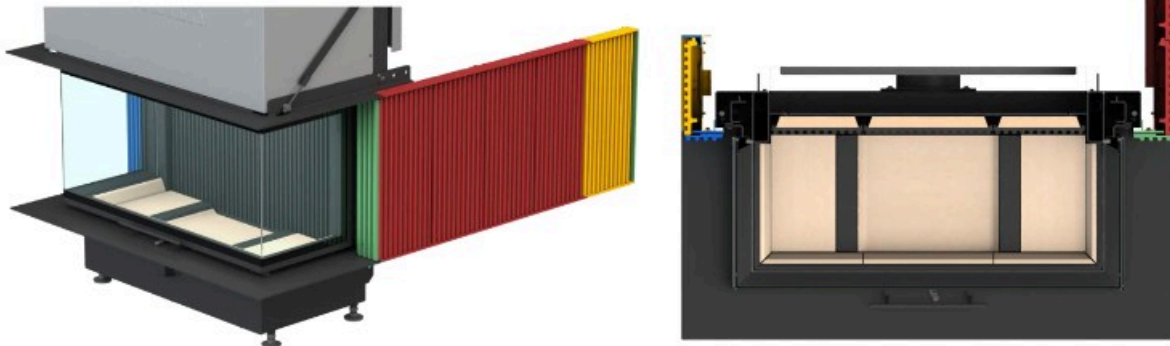
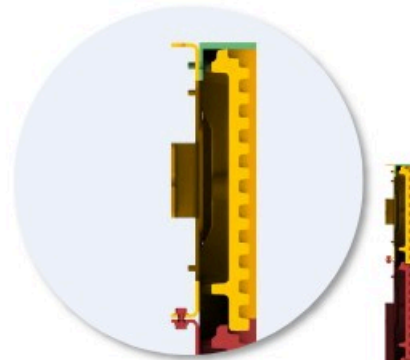
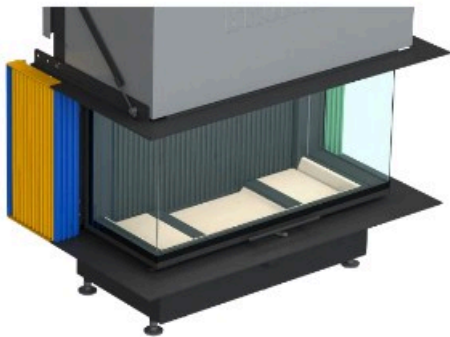
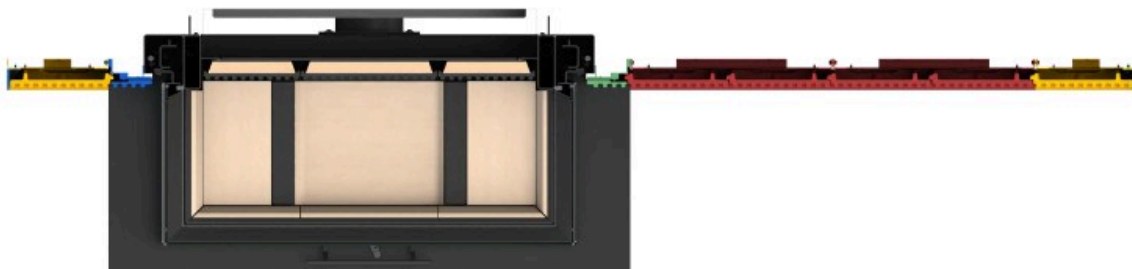
... detail (schematic) modules "start-end" (red)

# Dimension sheets - BKH Panorama 45-35-60-35 green



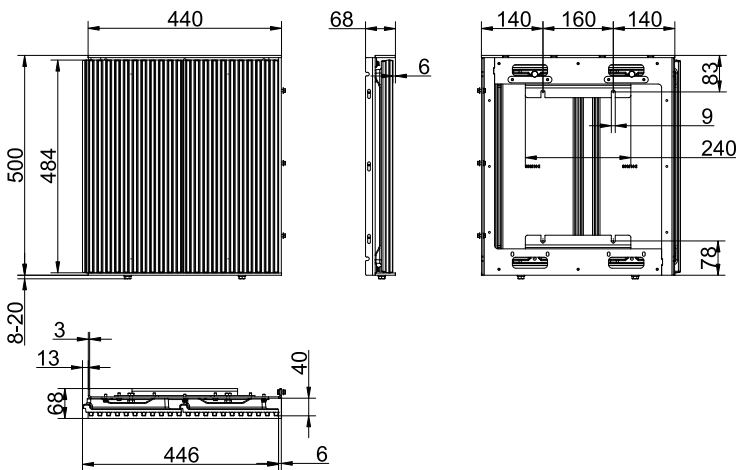
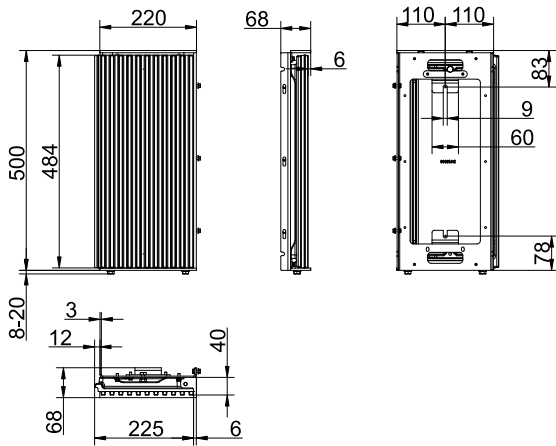
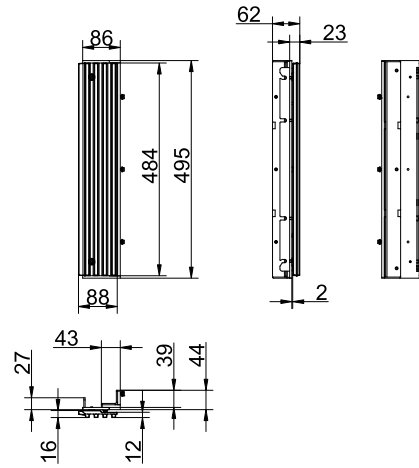
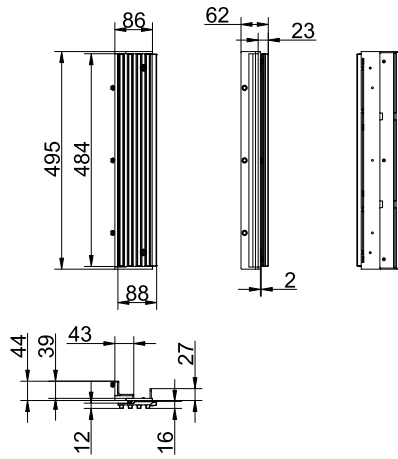
... cast iron firebox extension to the rear / to side with "Start-left" / "Start-right", "2-pieces", "1-piece" modules

# Dimension sheets - BKH Panorama 45-35-60-35 green



... detail (schematic) "Start-left" (blue), "Start-right" (green), "1-piece" (yellow) and "2-piece" (red) modules

# Dimension sheets - BKH Panorama 45-35-60-35 green



... Cast combustion chamber extension: "start-left", "start-right", "1-piece" and "2-piece" modules

We suggest for CAD planning Palette CAD. Permanent updated drawings: [www.brunner.de](http://www.brunner.de)  
 Frames/ flue gas outlet connection/ combustion air supply connection/ front variants/ support bearing are marked in color.

# Planning and installation - BKH Panorama 45-35-60-35 green

Tested according to		EN 13229 W	EN 13229 WA
Values measured at		Rated power <sup>1)</sup>	Storage operation <sup>2)</sup>
<b>Data for functional demonstration</b>			
Rated heat power	kW	10	-
Fire wood volume	kg/h	3.3	4.5
Combustion performance	kW	12	22
Flue gas mass flow	g/s	12	19
Flue gas temperature after:			
steel smoke hood	°C	210	260
2 x accumulation rings incl. MAS casted cover <sup>3)</sup>	°C	-	180
Necessary supply pressure	Pa	12	12
Fuel amount	kg	2.5	5.0
Combustion air consumption	m <sup>3</sup> /h	32	48
Combustion air connection Ø	mm	125 / 150	125 / 150
<b>Heat distribution</b>			
Insert / reheating surface	%	25 / 30	25 / 30
glass ceramic / glass ceramic coated (GKB)	%	45 / 35	45 / 35
<b>Cross-section of gratings <sup>4)</sup></b>			
exhaust warm air	cm <sup>2</sup>	700	700
Recirculation air	cm <sup>2</sup>	700	700
<b>Minimal oven surface for closed construction type</b>			
Heat dissipating surface	m <sup>2</sup>	4.0	4.0
<b>Minimal distances of the fireplace</b>			
Heat protection panel for cladding, insulation layer	cm	3	3
to cladding, insulation layer	cm	5	5
to the floor (non-combustible)	cm	3	3
<b>Fire protection with active rear ventilation, intermediate space</b>			
Minimum insulation thickness for construction : insulation material   5 cm rear active ventilation   wall <sup>5)</sup>			
for mounting wall (combustible/non-combustible)	cm	5	5
Minimum insulation thickness for construction: insulation material   30 cm closed gap   ceiling <sup>6)</sup>			
for ceiling (combustible)	cm	10	10
<b>Fire protection with adequate insulation material</b>			
Minimum insulation thickness for construction: insulation material   mounting wall, ceiling, floor <sup>6)</sup>			
with heat protection panel, mounting wall (non-combustible) <sup>7)</sup>	cm	6	6
with heat protection panel, mounting wall (combustible) <sup>7)</sup>	cm	12	12
Mounting wall (non-combustible)	cm	8	8
Mounting wall (combustible)	cm	18	18
Ceiling (non-combustible)	cm	8	8
Ceiling (combustible)	cm	22	22
Floor (non-combustible)	cm	0	0
<b>Minimum distances in front of the combustion chamber, glass ceramic / glass ceramic coated (GKB)</b>			
for combustible parts	cm	≥ 120 / ≥ 80	≥ 120 / ≥ 80
<b>Weight</b>			
Fireplace insert + combustion chamber inner lining chamotte/cast iron	kg	198 + 39 / 45	
<b>Meets requirement/limit values for:</b>			
EU / Germany	Ecodesign / 1. BImSchV (Stufe 2)		

- 1) Indications on "Nominal output" determined with steel hood ø180 mm, installed catalytic converter and combustion air connection ø150 mm
- 2) Information on "Storage operation" for the version with top-mount accumulator MAS.
- 3) Damper flap recommended
- 4) Air cross-sections if the specified nominal heat output is desired as the heat output.
- 5) Fire safety: Values determined with air cross-sections recorded for testing purposes; active rear ventilation, stove shell is heat emitting.  
Insulation thickness 5 cm calcium silicate board (brands: Promasil, Silka, Skamol) and 5 cm active rear ventilation

## Planning and installation - BKH Panorama 45-35-60-35 green

with diagonally positioned air circulation and supply air openings of 75 cm<sup>2</sup> (5x15 cm) each. For detailed design, see assembly instructions.

- 6) Fire safety: values determined in safety test with air cross-sections recorded for testing purposes; stove shell is heat emitting.

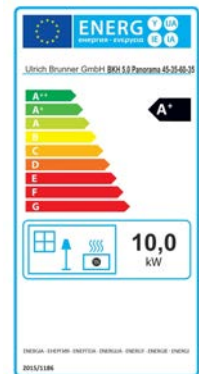
Information on replacement insulation material with calcium silicate boards (brands: Promasil, Silka, Skamol).

The specifications for non-combustible walls/ceilings and the structure with a closed gap (30 cm) correspond to the specifications of TROL (Germany), see assembly instructions.

- 7) Heat protection plate: accessory for BKH flat/tunnel/corner versions; factory-fitted for BKH panoramic fireplaces.

**Product data sheet according to (EU) 2015/1186:**

Supplier's name or trademark	Ulrich Brunner GmbH
Model identifier:	BKH 5.0 Panorama 45-35-60-35
Energy efficiency class:	A
Direct heat output:	10,0 kW
Indirect heat output:	N.A. kW
Energy efficiency index:	112
Fuel energy efficiency (at nominal heat output):	85,0 %
Fuel energy efficiency (at minimum load):	N.A. %
Special precautions: see supplied product documentation	

**Ulrich Brunner GmbH**

Zellhuber Ring 17-18

D-84307 Eggenfelden

Phone: +49 (0) 8721/771-800

E-Mail: info@brunner.de

**Copyright**

All information, drawings and technical descriptions contained in this documentation are our property and may not be reproduced without prior written permission.

® **BRUNNER** is a registered trademark.

Subject to technical changes and errors.

© by Ulrich Brunner GmbH

Art.-Nr.: 203079